

Tous droits strictement réservés. Reproduction ou communication à des tiers interdite sous quelque forme que ce soit sans autorisation écrite du propriétaire. Property of c FCI. Droits de reproduction FCI.

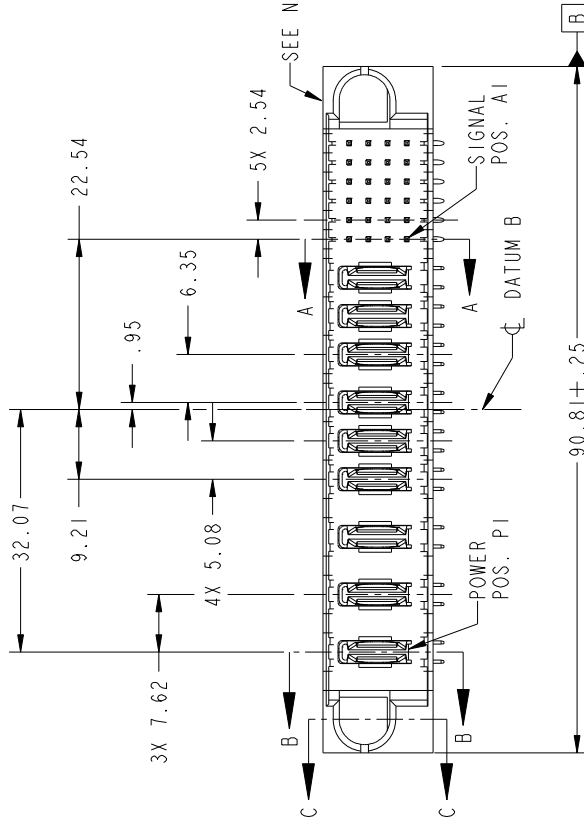


All rights strictly reserved. Reproduction or issue to third parties in any form whatever is not permitted without written authority from the proprietor. Property of FCI. Copyright FCI.

4

3

PRODUCT NO.	ROWS	POWER									SIGNAL								
		E1	P1	P2	P3	P4	P5	P6	P7	P8	P9	1	2	3	4	5	6	E2	
51939-140-- NOTE: 3	D C B A		PA	PA	PA	PA	PA	PA	PA	PA	PA	PA	PA	PA	PA	PA	PA	PA	PA



CODE	DIM "M" MATING LENGTH	CONTACT TYPE
PA	[N/A]	POWER
T	[6.86]	SIGNAL
S	[6.86]	SIGNAL
R	[6.86]	SIGNAL
H	[5.59]	SIGNAL
G	[5.59]	SIGNAL
F	[5.59]	SIGNAL
E	[5.59]	SIGNAL

mat'l code		SEE NOTE		tolerances unless otherwise specified		CUSTOMER		FCI	
lir	ecn no.	dr	date			COPY	projection	title	www.fciconnect.com
A	V04-1024	TAB	10/14/04	linear	0.X ± 0.5			9P + 24S	
B	V04-1181	TAB	12/14/04		0.XX ± 0.25			RIGHT ANGLE SOLDER HEADER	
C	DG05-0164	SJ	06/29/05	angles	0.XXX ± 0.10				
D	DG05-0415	600 JM	10/25/05		0° ± 2°				
E	DG07-0498	JW	09/15/08	engr	T. BRUNGARD 10/14/04				
				chr	M. GRAY 10/14/04				
				appd	M. GRAY 10/14/04				
					M. GRAY 10/14/04				
sheet index	revision	sheet	E 1 2 3 4	E 1 2 3 4	E 1 2 3 4	scale	1:1	product family	PwrBlade
						size	MM	product size	51939-140
						code		code	213
						sheet		sheet	1 of 4

1 | 2

Pro/E

PDM: Rev:E

STATUS: Released

Printed: Dec 20, 2010

B

B

PRODUCT NUMBER
51939-140--
NOTE: 3

Tous droits strictement réservés. Reproduction ou communication à des tiers interdite sous quelque forme que ce soit sans autorisation écrite du propriétaire. Propriété de c FCI. Droits de reproduction FCI.

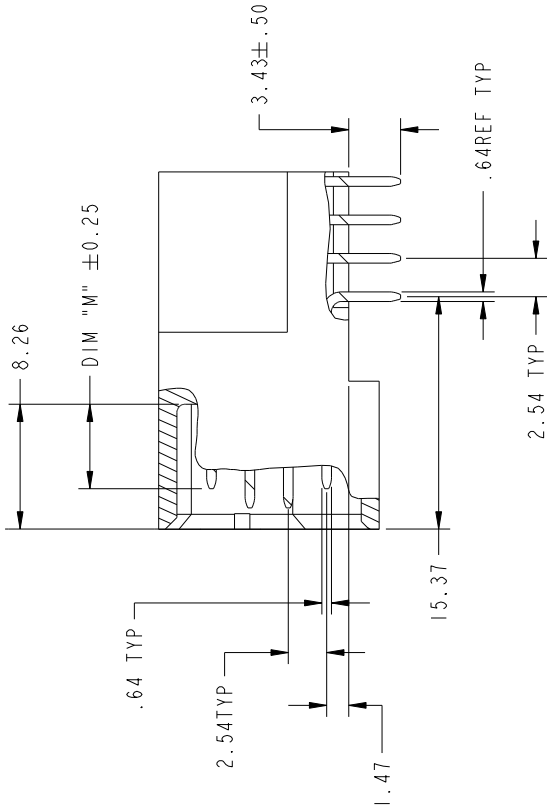


All rights strictly reserved. Reproduction or issue to third parties in any form whatsoever is not permitted without written authority from the proprietor. Property of FCI. Copyright FCI.

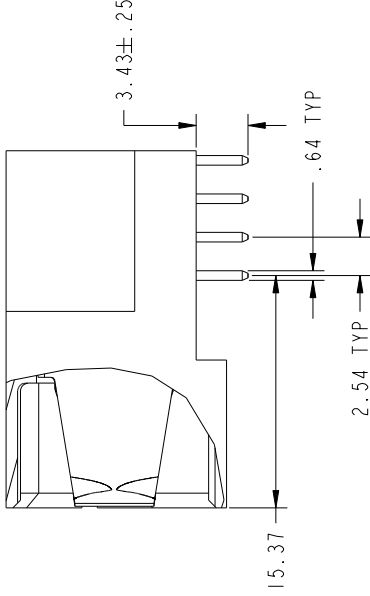
1 | 2

3 |

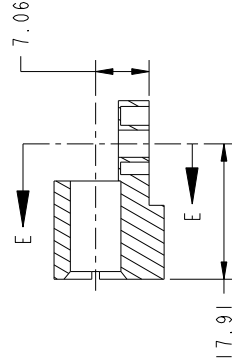
4



BROKEN-OUT SECTION A-A
SCALE 2:1



BROKEN-OUT SECTION B-B
SCALE 2:1



SECTION C-C
PARTIAL SECTION E-E

mat'l code		SEE NOTE		tolerances unless otherwise specified		CUSTOMER		FCI	
lir	ecn no.	dr	date	linear	angles	projection	copy	title	www.fciconnect.com
E				$0.X \pm 0.5$	$0.XX \pm 0.25$	$0.XXX \pm 0.10$		RIGHT ANGLE SOLDER HEADER	
				$0^\circ \pm 2^\circ$				9P + 24S	
				T. BRUNGARD	10/14/04	MM		product family	PwrBlade
				M. GRAY	10/14/04	1:1		size	213
				M. GRAY	10/14/04			sheet	2
				M. GRAY	10/14/04			code	A
sheet	revision							code	51939-140
index	sheet							code	6

1 | 2

Pro/E

PDM: Rev:E

STATUS: Released

Printed: Dec 20, 2010

B

A

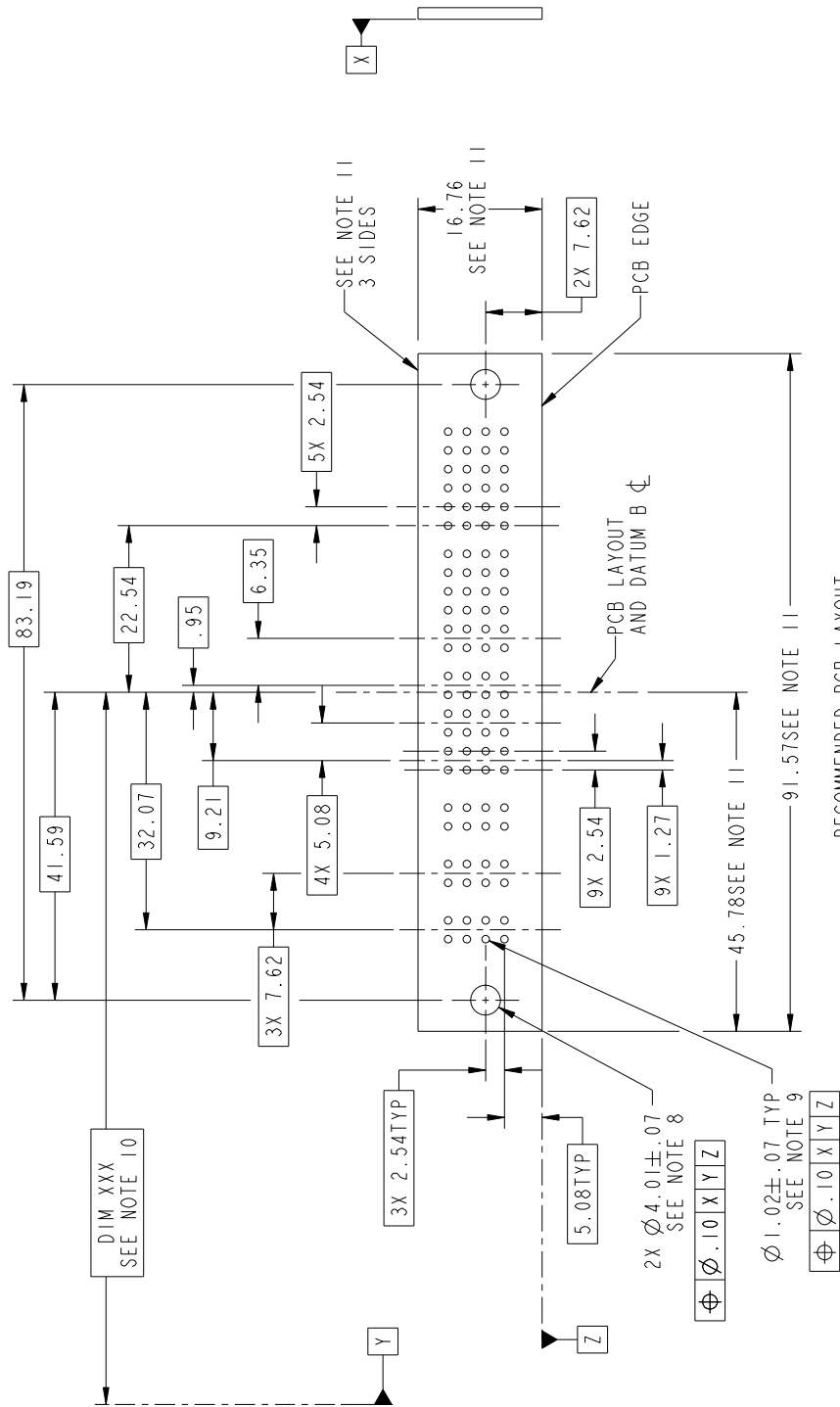
Tous droits strictement réservés. Reproduction ou communication à des tiers interdite sous quelque forme que ce soit sans autorisation écrite du propriétaire. Propriété de c FCI. Droits de reproduction FCI.



All rights strictly reserved. Reproduction or issue to third parties in any form whatever is not permitted without written authority from the proprietor. Property of FCI. Copyright FCI.

1 | 2 | 3 | 4

PRODUCT NUMBER
51939-140--
NOTE: 3



RECOMMENDED PCB LAYOUT

mat'l code		SEE NOTE		Tolerances unless otherwise specified		CUSTOMER		FCI	
lir	ecn no.	dr	date	linear	angles	dr	engr	chr	appd
E				$0.X \pm 0.5$	$0.XX \pm 0.25$				
				$0.XXX \pm 0.10$	$0^\circ \pm 2^\circ$				
				T. BRUNGARD	10/14/04				
				M. GRAY	10/14/04				
				M. GRAY	10/14/04				
				M. GRAY	10/14/04				
sheet index	revision	sheet							

CUSTOMER		FCI	
COPY	projection	title	www.fciconnect.com
		9P + 24S RIGHT ANGLE SOLDER HEADER	
	MM	product family	PwrBlade
	1:1	size	213
		dwg no	51939-140
		code	3

PRODUCT NUMBER

51939-140--
NOTE: 3

NOTES:

1. DIMENSIONS AND TOLERANCES ARE IN ACCORDANCE WITH ASME Y14.5M, 1994 UNLESS OTHERWISE SPECIFIED.

CONNECTOR NOTES:

2. HOUSING MATERIAL: UL 94 V-0 GLASS FILLED HIGH-TEMP THERMOPLASTIC
POWER CONTACT MATERIAL: COPPER ALLOY
SIGNAL PIN MATERIAL: COPPER ALLOY

 3. PLATING:

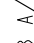
SEE ITEM 1 & 2 IN PRINT 10064183 FOR PLATING SPEC OF 51939-140; 51939-140LF PRESPECTIVELY


4. MANUFACTURER'S NAME, P/N, AND DATE CODE TO APPEAR ON THIS SURFACE.

5. PRODUCT SPECIFICATION GS-12-149.
APPLICATION SPECIFICATION BUS-20-067.

6. PACKAGED IN TRAYS.

PCB NOTES:

7. ALL HOLE DIAMETERS ARE FINISHED HOLE SIZE.
8. MOUNTING HOLES, WHERE APPLICABLE, ARE UNPLATED.
10. $\varnothing 1.151 \pm 0.025$ DRILLED HOLES PLATED WITH
0.008 MIN SnPb OR Sn OVER 0.03
TO 0.08 Cu PLATING TO ACHIEVE
 $\varnothing 1.02 \pm .07$ HOLE.
11. "DIM XXX" TO BE DETERMINED BY THE CUSTOMER.
12. CONNECTOR KEEP-OUT ZONE.
13.  SYMBOL WILL BE NEXT TO ANY DIMENSION,
VIEW, OR NOTE WHICH HAS BEEN MODIFIED
WITH THE CURRENT DRAWING REVISION.

mat'l code		SEE NOTE		tolerances unless otherwise specified		CUSTOMER		FCI	
lir	ecn no.	dr	date			projection	title	product family	code
E				linear	$0.X \pm 0.5$	COPY	9P + 24S RIGHT ANGLE SOLDER HEADER	PwrBlade	213
				angles	$0.XXX \pm 0.10$			size	sheet
				dr	$0^\circ \pm 2^\circ$	MM		dwg no	4
				engr	T. BRUNGARD 10/14/04	1:1		A	51939-140
				chr	M. GRAY 10/14/04				
				appd	M. GRAY 10/14/04				
sheet	revision								
index	sheet								

