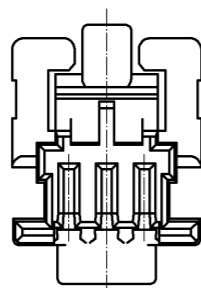
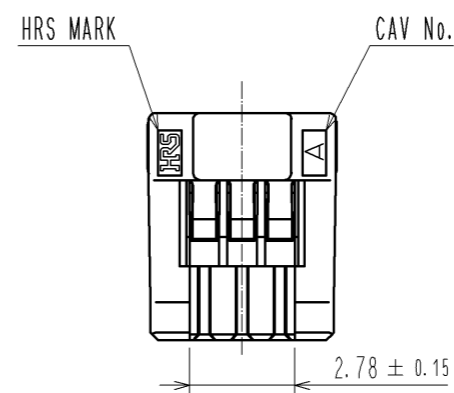
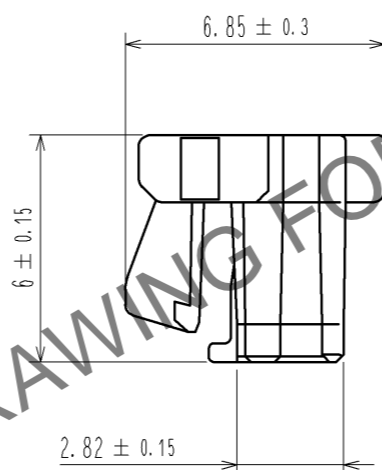
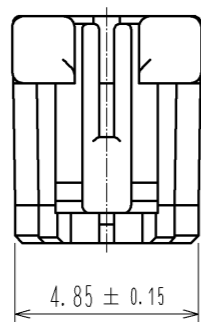
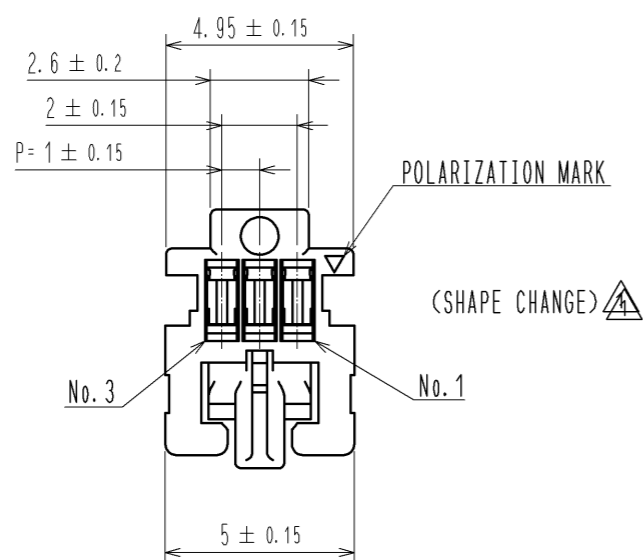


Jul.1.2024 Copyright 2024 HIROSE ELECTRIC CO., LTD. All Rights Reserved.  
 In case of consideration for using Automotive equipment / device which demand high reliability, kindly contact our sales window correspondents.



HRS DRAWING FOR REFERENCE

NOTE1. PER PACK:100 PIECES

NO.		MATERIAL		FINISH . REMARKS		1		PBT		UL94V-0. BLACK	
UNITS		SCALE		COUNT		DESCRIPTION OF REVISIONS		DESIGNED		CHECKED	
mm		5 : 1		1		DIS-H-005903		KT. ISHII		OM. MIYAMOTO	
HIROSE ELECTRIC CO., LTD.		APPROVED : KI. AKIYAMA		10.12.14		DRAWING NO.		EDC3-329221-00			
		CHECKED : OM. MIYAMOTO		10.12.14		PART NO.		DF50A-3S-1C			
		DESIGNED : TT. OHSAKO		10.12.14		CODE NO.		CL665-1005-4-00			
		DRAWN : TT. OHSAKO		10.12.14							