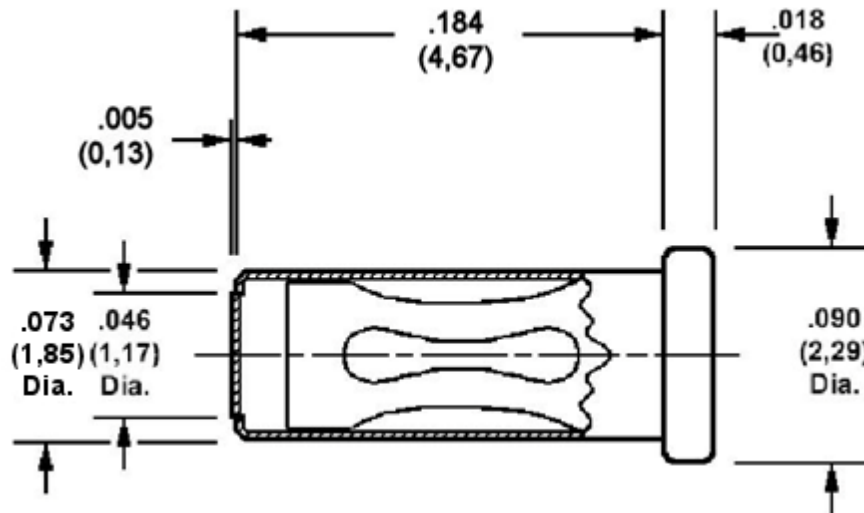


**450-3716 Solder Mount Socket with Knock Out Bottom,
 for .040 (1,02) Diameter Pins
 (base of connector is knocked out after soldering)**

Recommended mounting hole .076 (1,93) + .002 (0,05) - .001 (0,03), #48 drill



Min hole depth .190 (4,83)

How to order code
450-3716-01-XX-00
 Basic Part No XX = Finish

MATERIALS				
Component	Material	Finish (-03)	Finish (-04)	Finish (-06)
Body	Copper	Gold over Nickel	Electro Tin	Electro Tin
Spring	Beryllium copper	Gold over Nickel	Electro Tin	Gold over Nickel