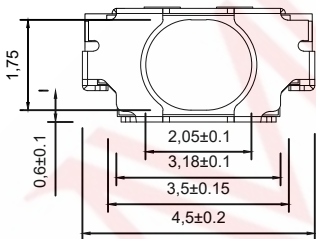
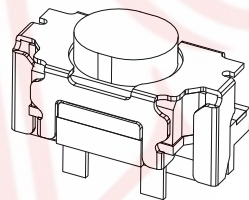
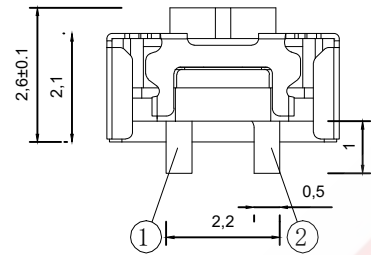
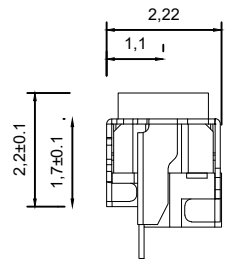
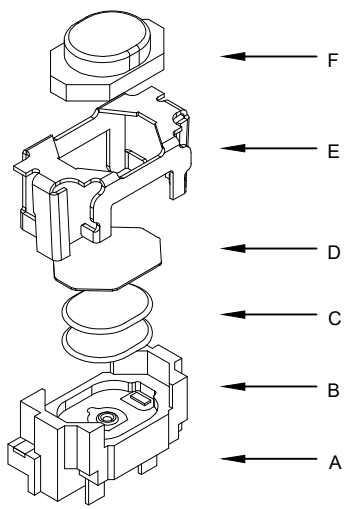


SAMZO REAC/ROHS

REV	ECN NO	DESCRIPTION	DESIGN	APPROVAL	DATE
A1	NEW	Replace frame			2018.06.13

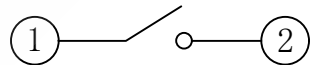


主要技术参数、性能  
The Main Thchnology Performance

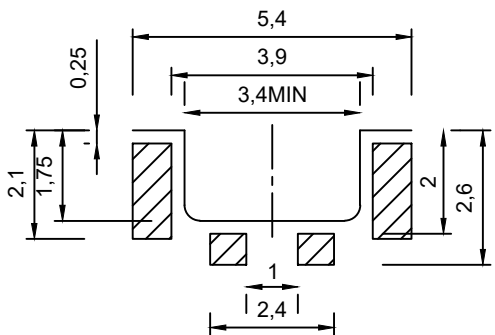
额定电流、电压 Rate voltage,current	50mA DC12V
接触电阻 Contact resistance	≤100mΩ
按力 Operating force	±50gf
行程 Travel	0.15±0.10mm
绝缘电阻 Insulated resistance	≥100MΩ
介电强度 Dielectric strength	≥250VAC/1min

- V  
A
- 5  
B
- B  
C
- 2  
D
- 6  
E
- \*  
F
- 1  
G
- 1  
H
- 0

- A. 系列:V-2.2\*4.5\*2.6mm
- B. 贴装方式:5-卧式贴片
- C. 引脚规格:B-4P
- D. 操作高度:26-2.6mm
- E. 操作力度:1-160gf/2-220gf/3-260gf
- F. 操作寿命:1-30,000次
- G. 固定方式:1-无柱
- H. 物料编码:0-常规(确认待编)



电路图  
CIRCUIT DIAGRAM



PCB. 焊接图  
PCB. WELDING DRAWING

ITEM	DESCRIPTION	MATERIAL	QTY	FINSH/COLOR					
F	按钮	LCP	1	黑色					
E	盖板	不锈钢	1	镀金	GENERAL TOLERANCE				
D	防尘膜	聚酰亚胺	1	橙黄色	≥0~2<	±0.15			
C	弹片	不锈钢	1	镀银	DESIGN	WANGUIFA	2018.06.12	≥2~5<	±0.25
B	本件	LCP	1	黑色	CHECKED	ZHENGUILAN	2018.06.12	≥0~2<	±0.15
A	卡件	磷铜	1	镀银	APPROVED	LILIANJIANG	2018.06.14	≥5	±0.35

FIRST VIEW

SCALE 1:1 UNIT mm

**SAMZO COMPONENTS**  
Electronic switch and connector manufacturer

The copyright belongs to samzo parts [China] Co., Ltd. please use the material after samzo parts agree to authorize. The final right of interpretation belongs to samzo parts. WWW.KKK-JP.COM

TITLE::	2.2*4.5*2.6 mm 4P-LT
DWG NO:	V5B26-P50
PART NO:	V5B269070
MODEL NO:	V5B26-*110
NAME:	TACT SWITCH