

GENERAL DESCRIPTION

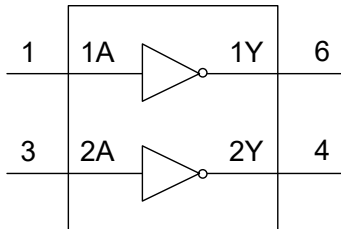
The 74LVC2G04 contains two independent inverters and it is designed for 1.65V to 5.5V V_{CC} operation. The inputs from 3.3V or 5V devices make this device can be used as a translator in a mixed 3.3V and 5V system environment. The device features the Boolean function $Y = \bar{A}$.

This device is suitable for partial power-down applications using I_{OFF} . When the device is powered down, it will protect against current backflow into the device and avoid damage to the device.

FEATURES

- 1.65V to 5.5V Wide Operating Voltage Range
- Input and Output Interface Capability to 5V System Environment
- +24mA/-24mA Output Current at $V_{CC} = 3.0V$
- CMOS Low Power Consumption
- Direct Interface with TTL Levels
- High Noise Immunity
- Latch-up Performance Exceeds 250mA
- -40°C to +125°C Operating Temperature Range
- Available in Green SOT-23-6 and SC70-6 Packages

LOGIC SYMBOL



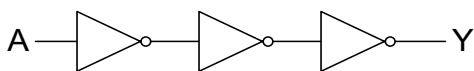
FUNCTION TABLE

INPUT	OUTPUT
nA	nY
L	H
H	L

H = High Voltage Level

L = Low Voltage Level

LOGIC DIAGRAM

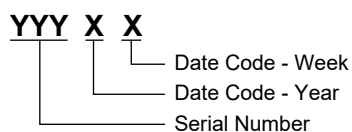


PACKAGE/ORDERING INFORMATION

MODEL	PACKAGE DESCRIPTION	SPECIFIED TEMPERATURE RANGE	ORDERING NUMBER	PACKAGE MARKING	PACKING OPTION
74LVC2G04	SOT-23-6	-40°C to +125°C	74LVC2G04XN6G/TR	R53XX	Tape and Reel, 3000
	SC70-6	-40°C to +125°C	74LVC2G04XC6G/TR	MF2XX	Tape and Reel, 3000

MARKING INFORMATION

NOTE: XX = Date Code.



Green (RoHS & HSF): SG Micro Corp defines "Green" to mean Pb-Free (RoHS compatible) and free of halogen substances. If you have additional comments or questions, please contact your SGMICRO representative directly.

ABSOLUTE MAXIMUM RATINGS ⁽¹⁾

Supply Voltage, V_{CC}	-0.5V to 6.5V
Input Voltage, V_I ⁽²⁾	-0.5V to 6.5V
Output Voltage, V_O ⁽²⁾⁽³⁾	
Active Mode.....	-0.5V to $V_{CC} + 0.5V$
Power-Down Mode.....	-0.5V to 6.5V
Input Clamping Current, I_{IK} ($V_I < 0V$).....	-50mA
Output Clamping Current, I_{OK} ($V_O > V_{CC}$ or $V_O < 0V$).....	$\pm 50mA$
Output Current, I_O ($V_O = 0V$ to V_{CC}).....	$\pm 50mA$
Supply Current, I_{CC}	100mA
Ground Current, I_{GND}	-100mA
Junction Temperature ⁽⁴⁾	+150°C
Storage Temperature Range.....	-65°C to +150°C
Lead Temperature (Soldering, 10s).....	+260°C
ESD Susceptibility	
HBM.....	8000V
CDM.....	1000V

RECOMMENDED OPERATING CONDITIONS

Supply Voltage, V_{CC}	1.65V to 5.5V
Input Voltage, V_I	0V to 5.5V
Output Voltage, V_O	
Active Mode.....	0V to V_{CC}
Power-Down Mode, $V_{CC} = 0V$	0V to 5.5V
Input Transition Rise and Fall Rate, $\Delta t/\Delta V$	
$V_{CC} = 1.65V$ to 2.7V.....	20ns/V (MAX)
$V_{CC} = 2.7V$ to 5.5V.....	10ns/V (MAX)
Operating Temperature Range.....	-40°C to +125°C

OVERSTRESS CAUTION

- Stresses beyond those listed in Absolute Maximum Ratings may cause permanent damage to the device. Exposure to absolute maximum rating conditions for extended periods may affect reliability. Functional operation of the device at any conditions beyond those indicated in the Recommended Operating Conditions section is not implied.
- The input and output voltage ratings may be exceeded if the input and output clamp current ratings are observed.
- When $V_{CC} = 0V$ (power-down mode), the output voltage can be 5.5V in normal operation.
- The performance capability of a high-performance integrated circuit in conjunction with its thermal environment can create junction temperatures which are detrimental to reliability.

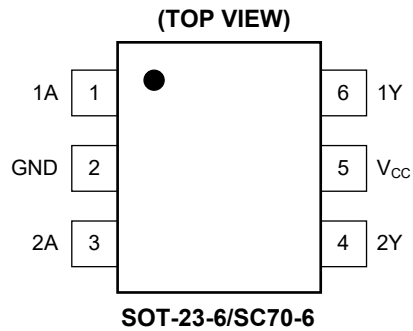
ESD SENSITIVITY CAUTION

This integrated circuit can be damaged if ESD protections are not considered carefully. SGMICRO recommends that all integrated circuits be handled with appropriate precautions. Failure to observe proper handling and installation procedures can cause damage. ESD damage can range from subtle performance degradation to complete device failure. Precision integrated circuits may be more susceptible to damage because even small parametric changes could cause the device not to meet the published specifications.

DISCLAIMER

SG Micro Corp reserves the right to make any change in circuit design, or specifications without prior notice.

PIN CONFIGURATIONS



PIN DESCRIPTION

PIN	NAME	FUNCTION
1, 3	1A, 2A	Data Inputs.
2	GND	Ground.
4, 6	2Y, 1Y	Data Outputs.
5	V _{CC}	Supply Voltage.

ELECTRICAL CHARACTERISTICS(Full = -40°C to +125°C, all typical values are measured at $T_A = +25^\circ\text{C}$, unless otherwise noted.)

PARAMETER	SYMBOL	CONDITIONS	TEMP	MIN	TYP	MAX	UNITS	
High-Level Input Voltage	V_{IH}	$V_{CC} = 1.65\text{V to } 1.95\text{V}$	Full	$0.68 \times V_{CC}$			V	
		$V_{CC} = 2.3\text{V to } 2.7\text{V}$	Full	1.7				
		$V_{CC} = 2.7\text{V to } 3.6\text{V}$	Full	2.0				
		$V_{CC} = 4.5\text{V to } 5.5\text{V}$	Full	$0.7 \times V_{CC}$				
Low-Level Input Voltage	V_{IL}	$V_{CC} = 1.65\text{V to } 1.95\text{V}$	Full			$0.35 \times V_{CC}$	V	
		$V_{CC} = 2.3\text{V to } 2.7\text{V}$	Full			0.7		
		$V_{CC} = 2.7\text{V to } 3.6\text{V}$	Full			0.8		
		$V_{CC} = 4.5\text{V to } 5.5\text{V}$	Full			$0.3 \times V_{CC}$		
High-Level Output Voltage	V_{OH}	$V_I = V_{IH} \text{ or } V_{IL}$	$V_{CC} = 1.65\text{V to } 5.5\text{V}, I_O = -100\mu\text{A}$	Full	$V_{CC} - 0.05$	$V_{CC} - 0.01$		V
			$V_{CC} = 1.65\text{V}, I_O = -4\text{mA}$	Full	1.43	1.55		
			$V_{CC} = 2.3\text{V}, I_O = -8\text{mA}$	Full	2.02	2.18		
			$V_{CC} = 2.7\text{V}, I_O = -12\text{mA}$	Full	2.38	2.56		
			$V_{CC} = 3.0\text{V}, I_O = -24\text{mA}$	Full	2.52	2.74		
			$V_{CC} = 4.5\text{V}, I_O = -32\text{mA}$	Full	4.00	4.22		
Low-Level Output Voltage	V_{OL}	$V_I = V_{IH} \text{ or } V_{IL}$	$V_{CC} = 1.65\text{V to } 5.5\text{V}, I_O = 100\mu\text{A}$	Full		0.01	0.05	V
			$V_{CC} = 1.65\text{V}, I_O = 4\text{mA}$	Full		0.1	0.22	
			$V_{CC} = 2.3\text{V}, I_O = 8\text{mA}$	Full		0.12	0.28	
			$V_{CC} = 2.7\text{V}, I_O = 12\text{mA}$	Full		0.16	0.34	
			$V_{CC} = 3.0\text{V}, I_O = 24\text{mA}$	Full		0.30	0.56	
			$V_{CC} = 4.5\text{V}, I_O = 32\text{mA}$	Full		0.32	0.60	
Input Leakage Current	I_I	$V_{CC} = 0\text{V to } 5.5\text{V}, V_I = 5.5\text{V or GND}$	Full		± 0.01	± 1	μA	
Power-Off Leakage Current	I_{OFF}	$V_{CC} = 0\text{V}, V_I \text{ or } V_O = 5.5\text{V}$	Full		± 0.01	± 1	μA	
Supply Current	I_{CC}	$V_{CC} = 1.65\text{V to } 5.5\text{V}, V_I = 5.5\text{V or GND}, I_O = 0\text{A}$	Full		0.01	1	μA	
Additional Supply Current	ΔI_{CC}	Per pin, $V_{CC} = 2.3\text{V to } 5.5\text{V}, V_I = V_{CC} - 0.6\text{V}, I_O = 0\text{A}$	Full		0.05	10	μA	
Input Capacitance	C_I	$V_{CC} = 3.3\text{V}, V_I = \text{GND to } V_{CC}$	+25°C		3.5		pF	

DYNAMIC CHARACTERISTICS

(For test circuit, see Figure 1. Full = -40°C to +125°C, all typical values are measured at $T_A = +25^\circ\text{C}$ and $V_{CC} = 1.8\text{V}, 2.5\text{V}, 2.7\text{V}, 3.3\text{V}$ and 5.0V respectively, unless otherwise noted.)

PARAMETER	SYMBOL	CONDITIONS	TEMP	MIN ⁽¹⁾	TYP	MAX ⁽¹⁾	UNITS	
Propagation Delay ⁽²⁾	t_{PD}	nA to nY, see Figure 2	$V_{CC} = 1.65\text{V to } 1.95\text{V}$	Full	0.5	6.0	14.0	ns
			$V_{CC} = 2.3\text{V to } 2.7\text{V}$	Full	0.5	3.2	7.0	
			$V_{CC} = 2.7\text{V}$	Full	0.5	3.1	7.5	
			$V_{CC} = 3.0\text{V to } 3.6\text{V}$	Full	0.1	3.5	6.0	
			$V_{CC} = 4.5\text{V to } 5.5\text{V}$	Full	0.1	3.1	5.5	
Power Dissipation Capacitance ⁽³⁾	C_{PD}	$V_{CC} = 3.3\text{V}, V_I = \text{GND to } V_{CC}$	+25°C		30.5		pF	

NOTES:

- Specified by design and characterization; not production tested.
- t_{PD} is the same as t_{PLH} and t_{PHL} .
- C_{PD} is used to determine the dynamic power dissipation (P_D in μW).

$$P_D = C_{PD} \times V_{CC}^2 \times f_i \times N + \Sigma(C_L \times V_{CC}^2 \times f_o)$$

where:

f_i = Input frequency in MHz.

f_o = Output frequency in MHz.

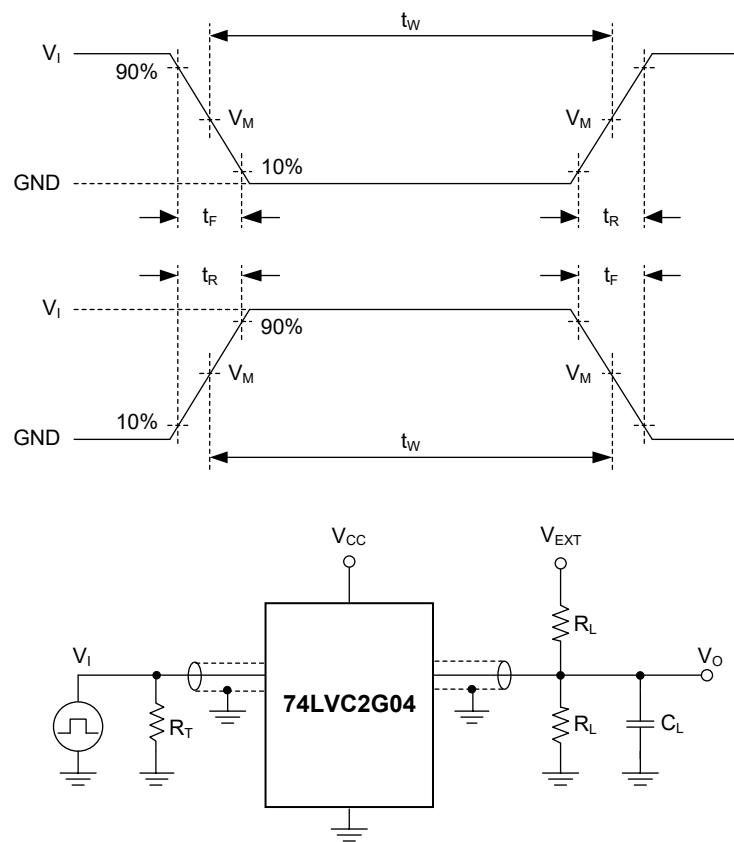
C_L = Output load capacitance in pF.

V_{CC} = Supply voltage in Volts.

N = Number of inputs switching.

$\Sigma(C_L \times V_{CC}^2 \times f_o)$ = Sum of outputs.

TEST CIRCUIT



Test conditions are given in Table 1.

Definitions for test circuit:

R_L : Load resistance.

C_L : Load capacitance (includes jig and probe).

R_T : Termination resistance (equals to output impedance Z_O of the pulse generator).

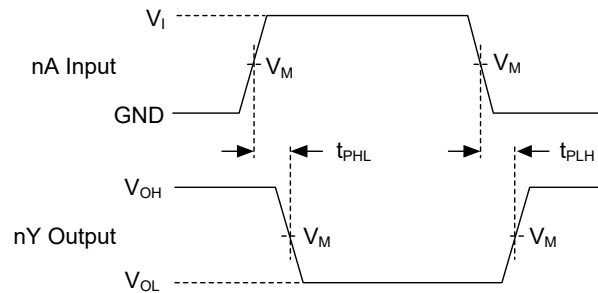
V_{EXT} : External voltage used to measure switching time.

Figure 1. Test Circuit for Measuring Switching Times

Table 1. Test Conditions

SUPPLY VOLTAGE	INPUT		LOAD		V_{EXT}
V_{CC}	V_I	$t_R = t_F$	C_L	R_L	t_{PLH}, t_{PHL}
1.65V to 1.95V	V_{CC}	$\leq 2.0\text{ns}$	30pF	1k Ω	Open
2.3V to 2.7V	V_{CC}	$\leq 2.0\text{ns}$	30pF	500 Ω	Open
2.7V	2.7V	$\leq 2.5\text{ns}$	50pF	500 Ω	Open
3.0V to 3.6V	2.7V	$\leq 2.5\text{ns}$	50pF	500 Ω	Open
4.5V to 5.5V	V_{CC}	$\leq 2.5\text{ns}$	50pF	500 Ω	Open

WAVEFORMS



Test conditions are given in Table 1.

Measurement points are given in Table 2.

Logic levels: V_{OL} and V_{OH} are typical output voltage levels that occur with the output load.

Figure 2. Input nA to Output nY Propagation Delays

Table 2. Measurement Points

SUPPLY VOLTAGE	INPUT	OUTPUT
V_{CC}	$V_M^{(1)}$	V_M
1.65V to 1.95V	$0.5V_{CC}$	$0.5V_{CC}$
2.3V to 2.7V	$0.5V_{CC}$	$0.5V_{CC}$
2.7V	1.5V	1.5V
3.0V to 3.6V	1.5V	1.5V
4.5V to 5.5V	$0.5V_{CC}$	$0.5V_{CC}$

NOTE:

1. The measurement points should be V_{IH} or V_{IL} when the input rising or falling time exceeds 2.5ns.

REVISION HISTORY

NOTE: Page numbers for previous revisions may differ from page numbers in the current version.

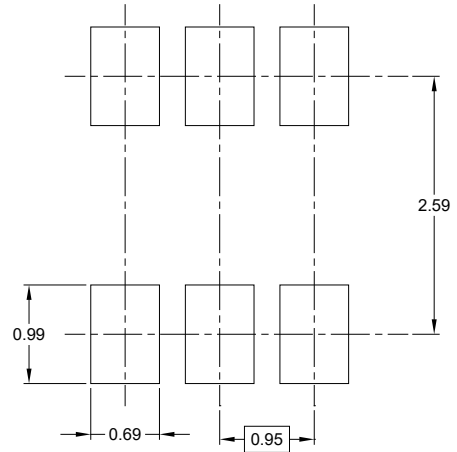
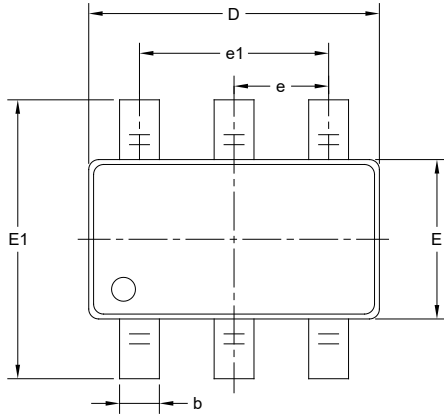
JULY 2022 – REV.A.1 to REV.A.2	Page
Updated Electrical Characteristics section	4
Added SC70-6 package.....	All

NOVEMBER 2021 – REV.A to REV.A.1	Page
Updated Dynamic Characteristics section.....	5
Added note of Table 2	7

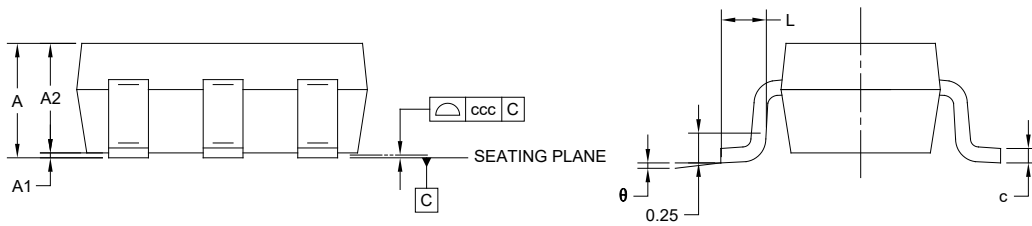
Changes from Original (FEBRUARY 2021) to REV.A	Page
Changed from product preview to production data.....	All

PACKAGE OUTLINE DIMENSIONS

SOT-23-6



RECOMMENDED LAND PATTERN (Unit: mm)



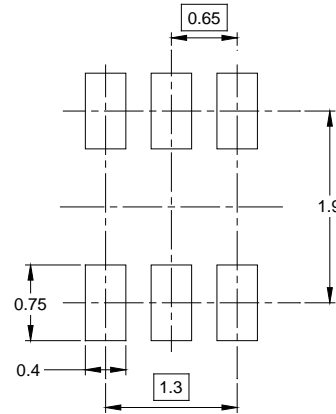
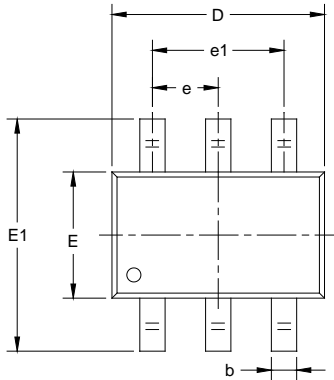
Symbol	Dimensions In Millimeters		
	MIN	MOD	MAX
A	-	-	1.450
A1	0.000	-	0.150
A2	0.900	-	1.300
b	0.300	-	0.500
c	0.080	-	0.220
D	2.750	-	3.050
E	1.450	-	1.750
E1	2.600	-	3.000
e	0.950 BSC		
e1	1.900 BSC		
L	0.300	-	0.600
θ	0°	-	8°
ccc	0.100		

NOTES:

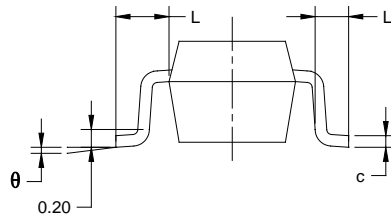
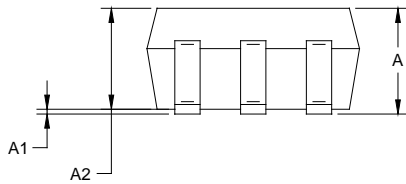
1. This drawing is subject to change without notice.
2. The dimensions do not include mold flashes, protrusions or gate burrs.
3. Reference JEDEC MO-178.

PACKAGE OUTLINE DIMENSIONS

SC70-6



RECOMMENDED LAND PATTERN (Unit: mm)

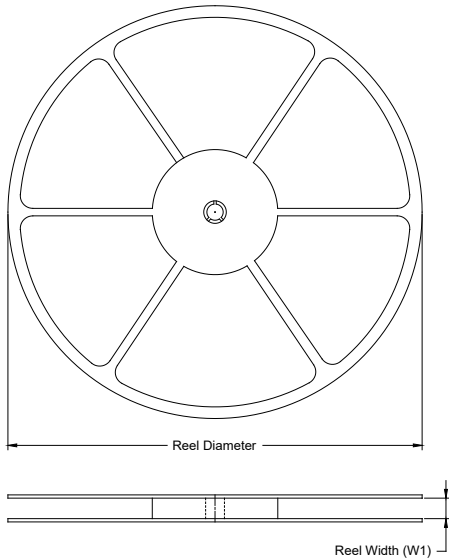


Symbol	Dimensions In Millimeters		Dimensions In Inches	
	MIN	MAX	MIN	MAX
A	0.800	1.100	0.031	0.043
A1	0.000	0.100	0.000	0.004
A2	0.800	1.000	0.031	0.039
b	0.150	0.350	0.006	0.014
c	0.080	0.220	0.003	0.009
D	2.000	2.200	0.079	0.087
E	1.150	1.350	0.045	0.053
E1	2.150	2.450	0.085	0.096
e	0.65 TYP		0.026 TYP	
e1	1.300 BSC		0.051 BSC	
L	0.525 REF		0.021 REF	
L1	0.260	0.460	0.010	0.018
θ	0°	8°	0°	8°

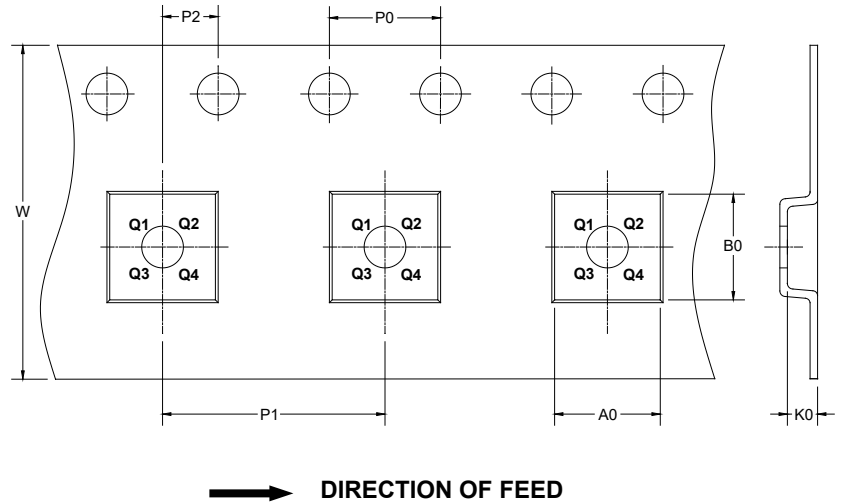
- NOTES:
 1. Body dimensions do not include mode flash or protrusion.
 2. This drawing is subject to change without notice.

TAPE AND REEL INFORMATION

REEL DIMENSIONS



TAPE DIMENSIONS



NOTE: The picture is only for reference. Please make the object as the standard.

KEY PARAMETER LIST OF TAPE AND REEL

Package Type	Reel Diameter	Reel Width W1 (mm)	A0 (mm)	B0 (mm)	K0 (mm)	P0 (mm)	P1 (mm)	P2 (mm)	W (mm)	Pin1 Quadrant
SOT-23-6	7"	9.5	3.17	3.23	1.37	4.0	4.0	2.0	8.0	Q3
SC70-6	7"	9.5	2.40	2.50	1.20	4.0	4.0	2.0	8.0	Q3

D00001

PACKAGE INFORMATION

CARTON BOX DIMENSIONS



NOTE: The picture is only for reference. Please make the object as the standard.

KEY PARAMETER LIST OF CARTON BOX

Reel Type	Length (mm)	Width (mm)	Height (mm)	Pizza/Carton
7" (Option)	368	227	224	8
7"	442	410	224	18

DD0002