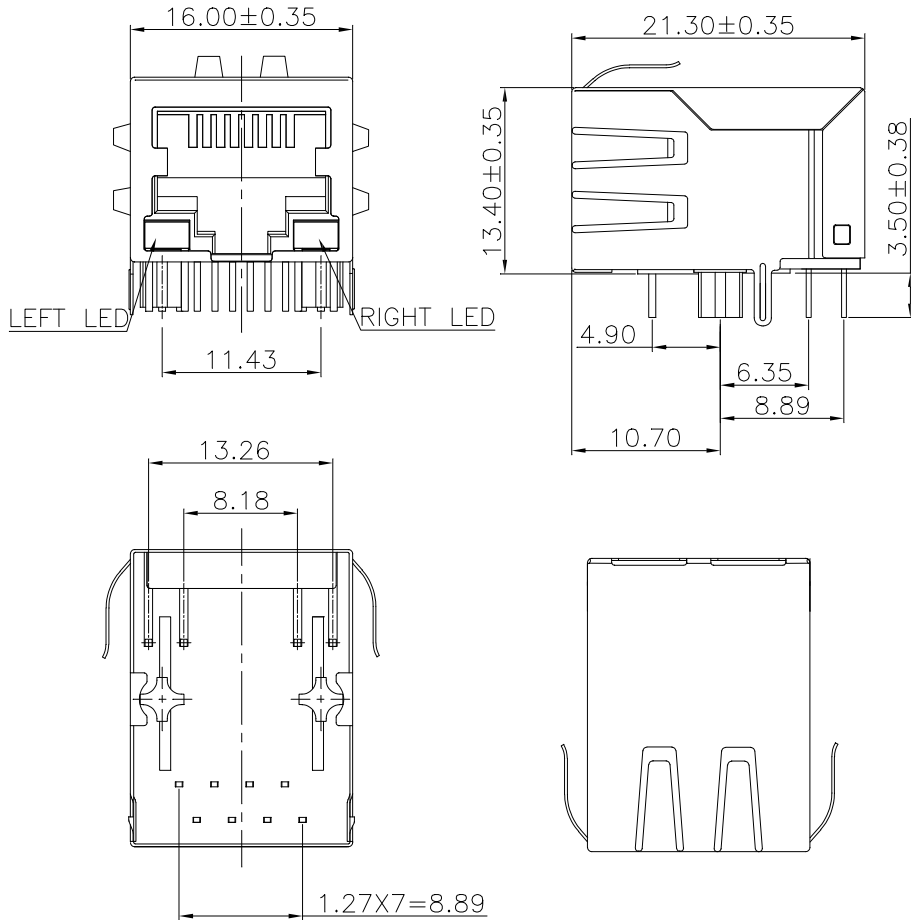


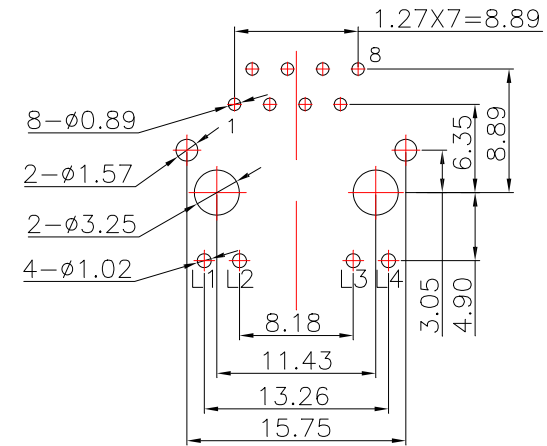
RoHS Mechanicals:

REV.	ECN NO.	LOCATIONS	DESCRIPTION	DATE	DESIGN
A		N/A	New Design	2022.4.25	Jerry Li



1. Material:

- 1.1 Housing: PBT UL94V-0 Black.
 - 1.2 Contact :Phosphor Bronze,Gold plated on contact area 6u".
 - 1.3 Input Terminal : Brass.
 - 1.4 Metal shielding:Copper alloy with Nickel plated.
- 2.Environmental requirements:
- 2.1 Lead-free process,compliant RoHS.

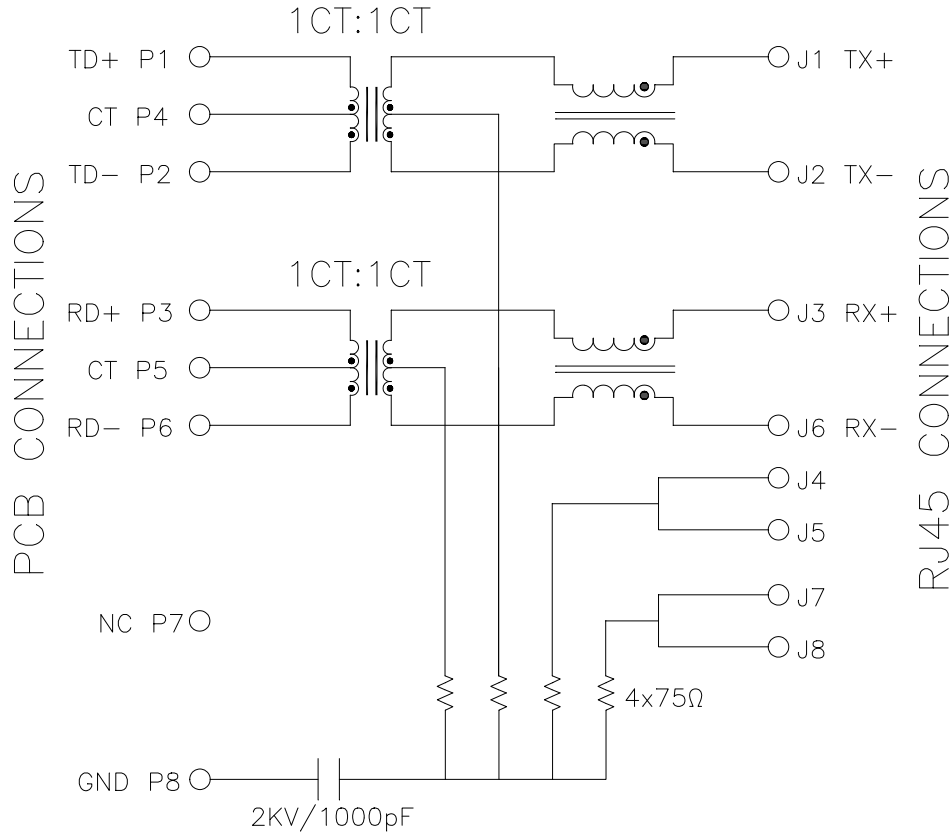


Recommended PCB Layout
(Tolerance:±0.05)

 UNIT: mm [inch]	深圳市华灿天禄电子有限公司	
	DESIGN: Jerry Li	PART NAME: RJ45 1x1 Dip Tab Base 10/100 Base With 1.27 6u" IS
	CHECKED: Jerry Li	PART NO. HC913129C-M898-A
	APPROVED: J Mou	DRAW NO. SLW-M898-A
SCALE:1:1 SIZE:A4	SHEET NO. 01 OF 02	

RoHS Mechanicals:

REV.	ECN NO.	LOCATIONS	DESCRIPTION	DATE	DESIGN
A		N/A	New Design	2022.4.25	Jerry Li



3. Electrical Specification @25°C:

3.1 Inductance: 350uH Min With 8mA DC bias.

3.2 Insertion loss :
1-100MHZ -1.0dB max.

3.3 Return loss :
1-30MHZ -18dB min.
30-60MHZ -16dB min.
60-80MHZ -12dB min.
80-100MHZ -10dB min.

3.4 Common Mode Rejection: 1-100MHZ -30dB min.

3.5 Cross Talk: 1-100MHZ -30dB min.

4. Operating and Storage Temperature:

4.1 Operating Temperature : 0°C to +70°C.

4.2 Storage Temperature : -40°C to +85°C.

5. Wave soldering peak temperature: 260°C.



Emitting Color	λ_p (nm)	$V_f@I_f=20mA$
Green	565	1.8-2.5V
YELLOW	585	1.8-2.5V

 UNIT: mm [inch] TOLERANCE: Unless Otherwise Specification All Tolerance Are ±0.25mm SCALE:1:1 SIZE:A4	深圳市华灿天禄电子有限公司	
	DESIGN: Jerry Li	PART NAME: RJ45 1x1 Dip Tab Conn 10/100 Base With LED 6u" NS
	CHECKED: Jerry Li	PART NO. HC913129C-M898-A
	APPROVED: J Mou	DRAW NO. SLW-M898-A
		SHEET NO. 02 OF 02