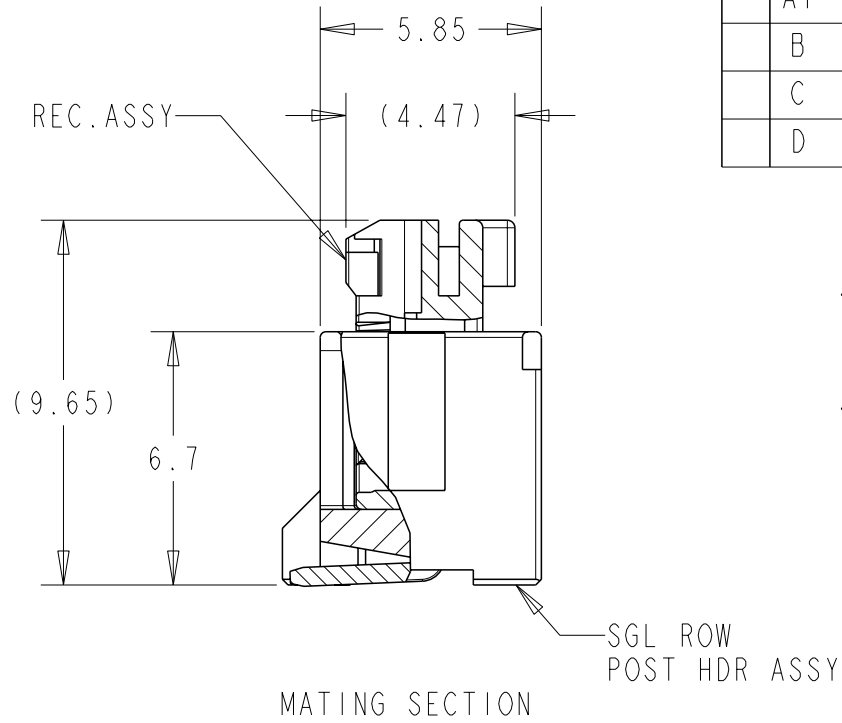
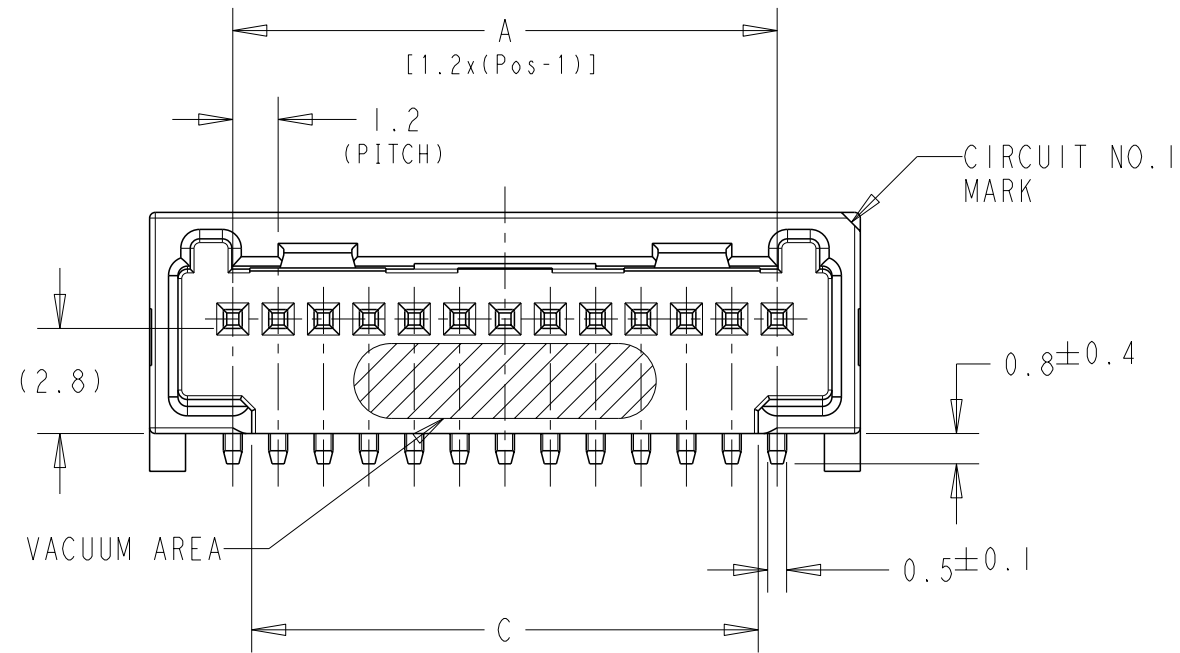
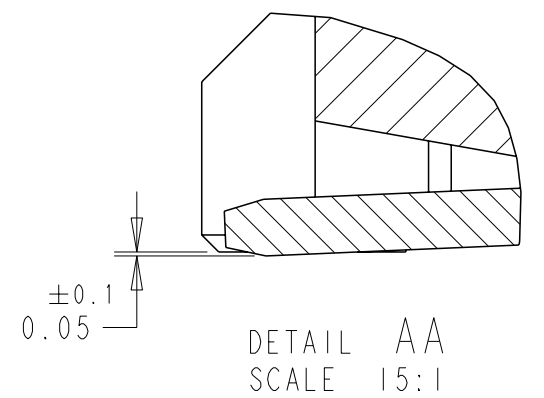
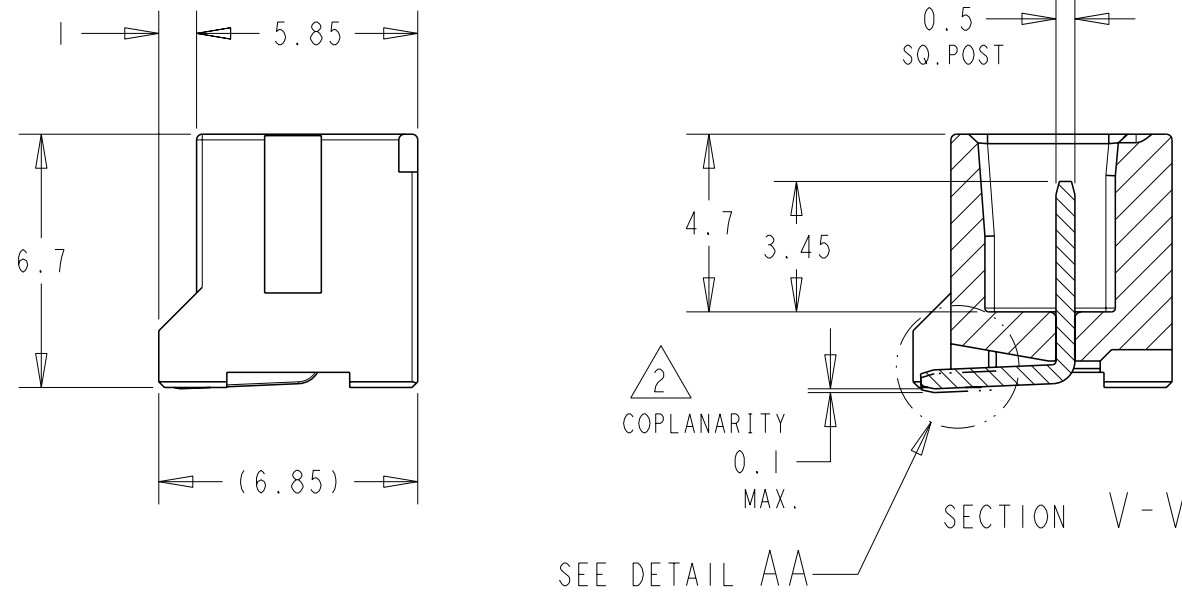
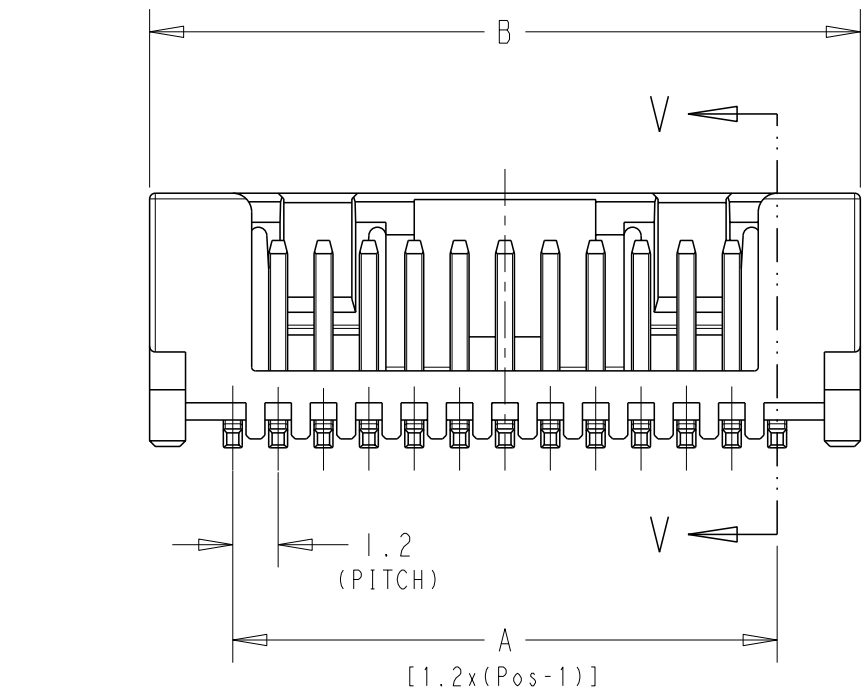
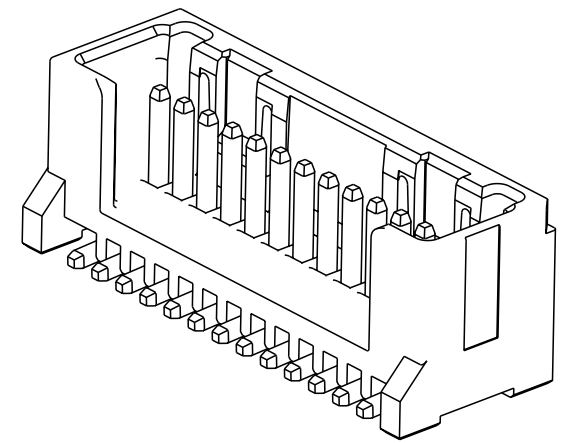


| P | LTR | DESCRIPTION | DATE | DWN | APVD |
|---|-----|---------------------------|-----------|-----|------|
| A | I | REVISED(GO TO PRODUCTION) | 22SEP2021 | T.Y | K.K |
| B | | REVISED | 01OCT2021 | T.Y | K.K |
| C | | REVISED | 21JAN2022 | T.Y | K.K |
| D | | REVISED | 12JUL2022 | T.Y | K.K |



NOTES;

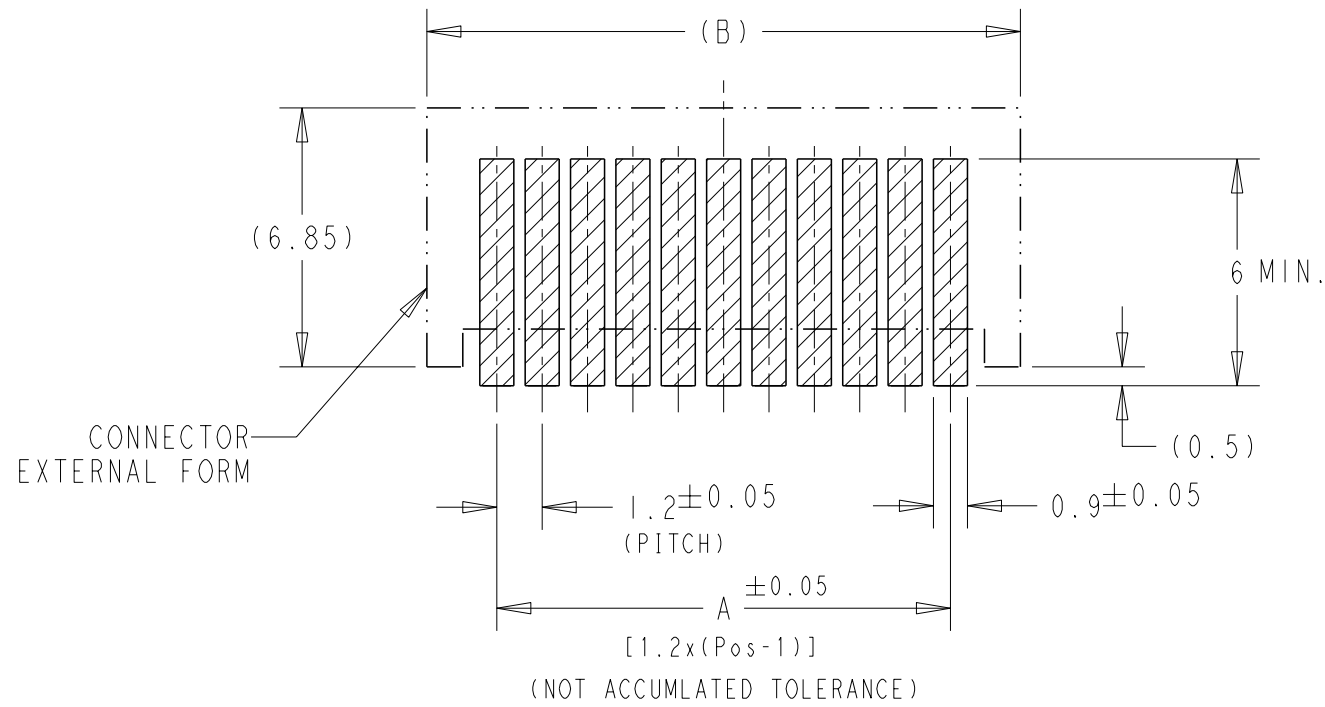
- 1 MATERIAL:
HOUSING: THERMOPLASTIC, UL94V-0, COLOR NATURAL (BEIGE)
POST: TIN, COPPER ALLOY
- 2 TO BE MEASURED WITH CONNECTOR PLACED ON HORIZONTAL DATUM SURFACE, FLOAT OF SOLDER TINE FROM DATUM SURFACE IS 0.1mm MAX.



| | | | | | |
|--|--|------------------------------|---|--------------------|-------------------------|
| THIS DRAWING IS A CONTROLLED DOCUMENT. | | DWN T. YASUI 18JUN2019 | TE Connectivity | | |
| DIMENSIONS: mm | | CHK A. KUBO 18JUN2019 | | | |
| TOLERANCES UNLESS OTHERWISE SPECIFIED: ±0.3 | | APVD A. KUBO 18JUN2019 | NAME SINGLE ROW POST HEADER ASSY MICRO CT CONNECTOR, 1.2mm PITCH VERTICAL-TYPE | | |
| 0-PLC ± 1-PLC ± 2-PLC ± 3-PLC ± 4-PLC ± ANGLES ± 3° | | PRODUCT SPEC 108-140232 | SIZE A3 | CAGE CODE 00779 | DRAWING NO C-2355091 |
| MATERIAL SEE NOTE 1 | | FINISH SEE NOTE 1 | APPLICATION SPEC 114-78056 | RESTRICTED TO - | SCALE 5:1 |
| | | WEIGHT | SHEET 1 OF 4 | | REV D |
| | | CUSTOMER DRAWING | | | |

printed on 26 Jul 2022 18:12 (from TE133190

| P | LTR | DESCRIPTION | DATE | DWN | APVD |
|---|-----|-------------|------|-----|------|
| | | SEE SHEET 1 | | | |
| | | | | | |
| | | | | | |



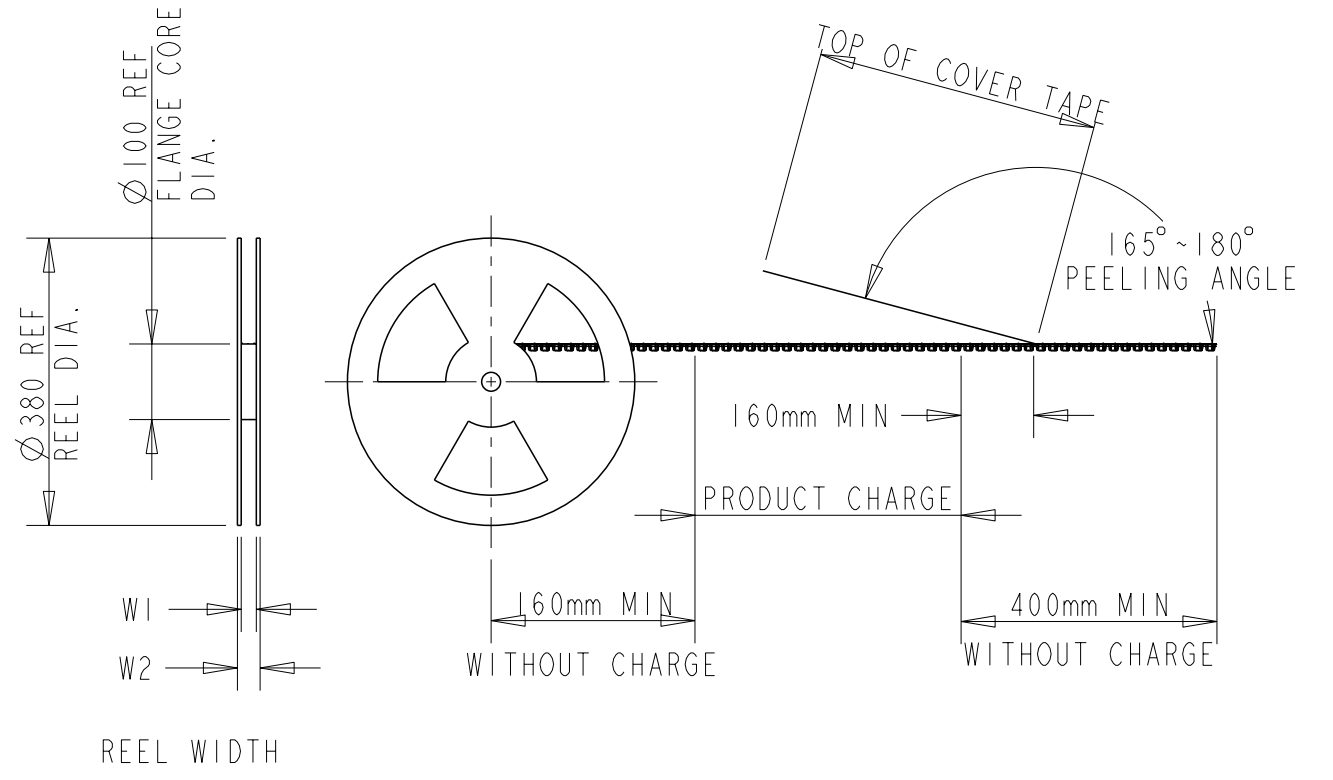
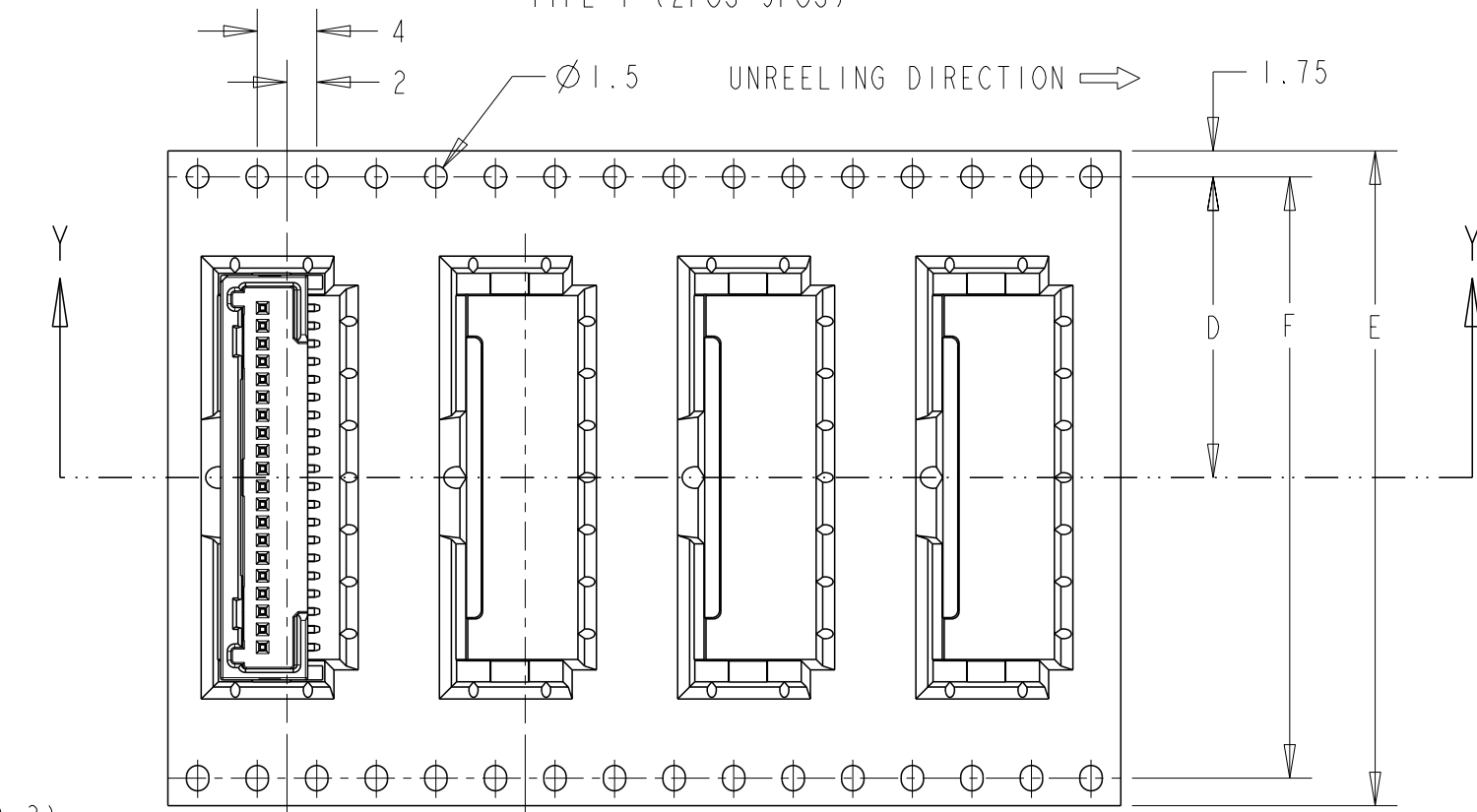
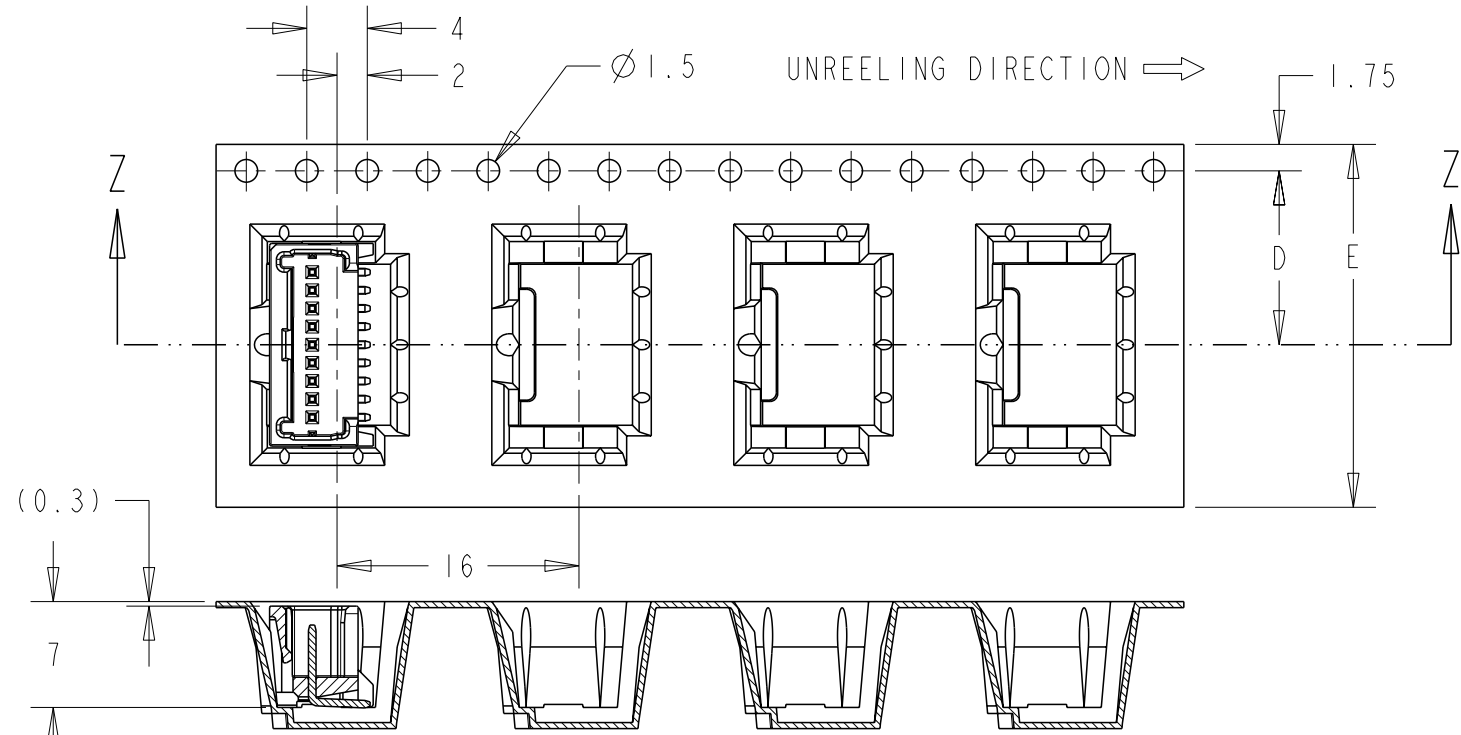
P.C.B. MOUNTING LAYOUT - PARTS MOUNTING SIDE

| | | | | |
|------------|------|------|------|-------------|
| 18.2 | 33.1 | 28.8 | 25 | 2-2355091-5 |
| 18.2 | 31.9 | 27.6 | 24 | 2-2355091-4 |
| 18.2 | 30.7 | 26.4 | 23 | 2-2355091-3 |
| 18.2 | 29.5 | 25.2 | 22 | 2-2355091-2 |
| 18.2 | 28.3 | 24.0 | 21 | 2-2355091-1 |
| 18.2 | 27.1 | 22.8 | 20 | 2-2355091-0 |
| 18.2 | 25.9 | 21.6 | 19 | 1-2355091-9 |
| 18.2 | 24.7 | 20.4 | 18 | 1-2355091-8 |
| 18.2 | 23.5 | 19.2 | 17 | 1-2355091-7 |
| 17.0 | 22.3 | 18.0 | 16 | 1-2355091-6 |
| 15.8 | 21.1 | 16.8 | 15 | 1-2355091-5 |
| 14.6 | 19.9 | 15.6 | 14 | 1-2355091-4 |
| 13.4 | 18.7 | 14.4 | 13 | 1-2355091-3 |
| 13.4 | 16.9 | 13.2 | 12 | 1-2355091-2 |
| 12.2 | 15.7 | 12.0 | 11 | 1-2355091-1 |
| 11.0 | 14.5 | 10.8 | 10 | 1-2355091-0 |
| 9.8 | 13.3 | 9.6 | 9 | 2355091-9 |
| 8.6 | 12.1 | 8.4 | 8 | 2355091-8 |
| 7.4 | 10.9 | 7.2 | 7 | 2355091-7 |
| 6.2 | 9.7 | 6.0 | 6 | 2355091-6 |
| 5.0 | 8.5 | 4.8 | 5 | 2355091-5 |
| 4.5 | 7.3 | 3.6 | 4 | 2355091-4 |
| 3.3 | 6.1 | 2.4 | 3 | 2355091-3 |
| 2.5 | 4.9 | 1.2 | 2 | 2355091-2 |
| C | B | A | POS. | PART NUMBER |
| DIMENSIONS | | | | |

| | | | | | | |
|--|--|------------------|---|-----------|------------|---------------|
| THIS DRAWING IS A CONTROLLED DOCUMENT. | | DWN | TE Connectivity | | | |
| DIMENSIONS: mm | | CHK | | | | |
| TOLERANCES UNLESS OTHERWISE SPECIFIED: ±0.3 0-PLC ± 1-PLC ± 2-PLC ± 3-PLC ± 4-PLC ± ANGLES ± 3° | | APVD | NAME SINGLE ROW POST HEADER ASSY MICRO CT CONNECTOR, 1.2mm PITCH VERTICAL-TYPE | | | |
| MATERIAL | | PRODUCT SPEC | SIZE | CAGE CODE | DRAWING NO | RESTRICTED TO |
| FINISH | | APPLICATION SPEC | A3 | 00779 | C-2355091 | - |
| | | WEIGHT | CUSTOMER DRAWING | | SCALE 5:1 | SHEET 2 OF 4 |
| | | | | | | REV D |

printed on 26 Jul 2022 18:12 (from TE133190

| P | LTR | DESCRIPTION | DATE | DWN | APVD |
|---|-----|-------------|------|-----|------|
| | | SEE SHEET 1 | | | |
| | | | | | |
| | | | | | |



THIS DRAWING IS A CONTROLLED DOCUMENT.

| | |
|-------------------|--|
| DIMENSIONS: mm | TOLERANCES UNLESS OTHERWISE SPECIFIED: ±0.3 |
| | 0 PLC ± |
| | 1 PLC ± |
| | 2 PLC ± |
| | 3 PLC ± |
| | 4 PLC ± |
| | ANGLES ± 3° |
| MATERIAL | FINISH |

| | |
|------------------|--|
| DWN | |
| CHK | |
| APVD | |
| PRODUCT SPEC | |
| APPLICATION SPEC | |
| WEIGHT | |
| CUSTOMER DRAWING | |

| | | | |
|-------|-----------|---|---------------|
| | | NAME | |
| | | SINGLE ROW POST HEADER ASSY MICRO CT CONNECTOR, 1.2mm PITCH VERTICAL-TYPE | |
| SIZE | CAGE CODE | DRAWING NO | RESTRICTED TO |
| A3 | 00779 | C-2355091 | - |
| SCALE | | SHEET | REV |
| NTS | | 3 OF 4 | D |

printed on 26 Jul 2022 18:12 (from TE133190

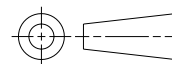
REVISIONS

| P | LTR | DESCRIPTION | DATE | DWN | APVD |
|---|-----|-------------|------|-----|------|
| | | SEE SHEET 1 | | | |
| | | | | | |
| | | | | | |

| TAPE TYPE | W2 | W1 | F | E | D | QTY/REEL | POS. | PART NUMBER |
|-----------|------|------|------|----|------|----------|-----------|-------------|
| TYPE 2 | 61.4 | 56.4 | 52.4 | 56 | 26.2 | 650 | 25 | 2-2355091-5 |
| | 61.4 | 56.4 | 52.4 | 56 | 26.2 | | 24 | 2-2355091-4 |
| | 61.4 | 56.4 | 52.4 | 56 | 26.2 | | 23 | 2-2355091-3 |
| | 49.4 | 44.4 | 40.4 | 44 | 20.2 | | 22 | 2-2355091-2 |
| | 49.4 | 44.4 | 40.4 | 44 | 20.2 | | 21 | 2-2355091-1 |
| | 49.4 | 44.4 | 40.4 | 44 | 20.2 | | 20 | 2-2355091-0 |
| | 49.4 | 44.4 | 40.4 | 44 | 20.2 | | 19 | 1-2355091-9 |
| | 49.4 | 44.4 | 40.4 | 44 | 20.2 | | 18 | 1-2355091-8 |
| | 49.4 | 44.4 | 40.4 | 44 | 20.2 | | 17 | 1-2355091-7 |
| | 49.4 | 44.4 | 40.4 | 44 | 20.2 | | 16 | 1-2355091-6 |
| | 49.4 | 44.4 | 40.4 | 44 | 20.2 | | 15 | 1-2355091-5 |
| | 49.4 | 44.4 | 40.4 | 44 | 20.2 | | 14 | 1-2355091-4 |
| | 49.4 | 44.4 | 40.4 | 44 | 20.2 | | 13 | 1-2355091-3 |
| | 37.4 | 32.4 | 28.4 | 32 | 14.2 | | 12 | 1-2355091-2 |
| | 37.4 | 32.4 | 28.4 | 32 | 14.2 | | 11 | 1-2355091-1 |
| | 37.4 | 32.4 | 28.4 | 32 | 14.2 | | 10 | 1-2355091-0 |
| TYPE 1 | 29.4 | 24.4 | - | 24 | 11.5 | 9 | 2355091-9 | |
| | 29.4 | 24.4 | - | 24 | 11.5 | 8 | 2355091-8 | |
| | 29.4 | 24.4 | - | 24 | 11.5 | 7 | 2355091-7 | |
| | 29.4 | 24.4 | - | 24 | 11.5 | 6 | 2355091-6 | |
| | 29.4 | 24.4 | - | 24 | 11.5 | 5 | 2355091-5 | |
| | 29.4 | 24.4 | - | 24 | 11.5 | 4 | 2355091-4 | |
| | 21.4 | 16.4 | - | 16 | 7.5 | 3 | 2355091-3 | |
| | 21.4 | 16.4 | - | 16 | 7.5 | 2 | 2355091-2 | |

THIS DRAWING IS A CONTROLLED DOCUMENT.

DIMENSIONS:
mm



TOLERANCES UNLESS OTHERWISE SPECIFIED:

±0.3

0-PLC ±
1-PLC ±
2-PLC ±
3-PLC ±
4-PLC ±

ANGLES ± 3°

FINISH

MATERIAL

| |
|------------------|
| DWN |
| CHK |
| APVD |
| PRODUCT SPEC |
| APPLICATION SPEC |
| WEIGHT |



NAME
SINGLE ROW POST HEADER ASSY
MICRO CT CONNECTOR, 1.2mm PITCH
VERTICAL-TYPE

| | | | |
|------------|--------------------|-------------------------|--------------------|
| SIZE A3 | CAGE CODE 00779 | DRAWING NO C-2355091 | RESTRICTED TO - |
|------------|--------------------|-------------------------|--------------------|

CUSTOMER DRAWING SCALE NTS SHEET 4 OF 4 REV D

printed on 26 Jul 2022 18:12 (from TE133190