



Elite CR-58

Multi-Throw DC-26.5GHz

Normally Open

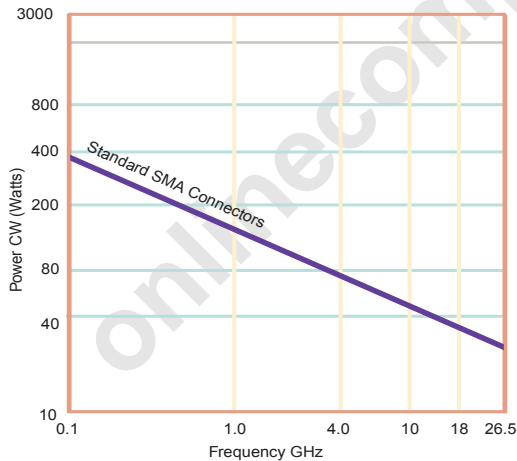
The CR-58 Switch is a broadband, multi-throw, electromechanical coaxial switch designed to switch a microwave signal from a common input to any of 3, 4, 5, or 6 outputs. The characteristic impedance is 50 Ohms. The switches are small using the popular connector spacing on a 1.062" dia. circle. Each position has an individual actuator mechanism allowing random position selection. This also gives the minimum switching time.

With the normally open actuator, all paths are open when the switch is de-energized.

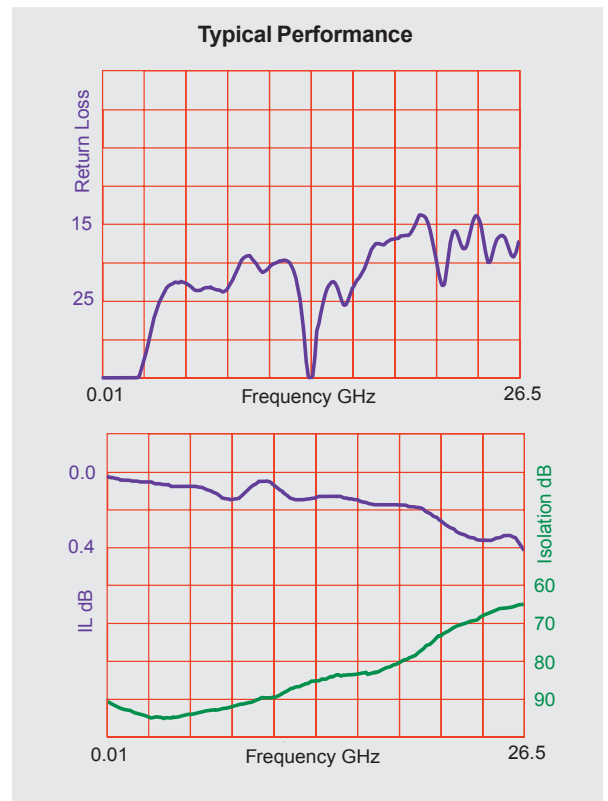
Specifications

RF Contacts:	Break before make			
Actuator	Voltage (VDC) 20°C	12	15	28
	Current (mA)	170	136	140
Switching Time:	15 msec max			
Connectors:	SMA (f)			
Weight:	6 oz. max			
Temperature Range:	-55°C to +85°C (Operating)			
Shock:	MIL-STD-202 Method 213, Condition D (500G Non Operating)			
Vibration:	MIL-STD-202 Method 214, Condition D (10G RMS Non Operating)			
Humidity:	Moisture Seal Available			
MTBF:	6.5 Million Hours (MIL-HDBK-217F Fixed, 25°C, <1 Cycle per hour)			

RF Power Handling



Specifications	DC-6 GHz	6-12 GHz	12-18 GHz	18-26.5 GHz
VSWR (max)	1.25:1	1.40:1	1.50:1	1.80:1
Insertion Loss (min)	0.20 dB	0.40 dB	0.50 dB	0.80 dB
Isolation (max)	70.0 dB	60.0 dB	60.0 dB	50.0 dB



Specifications subject to change without notice.

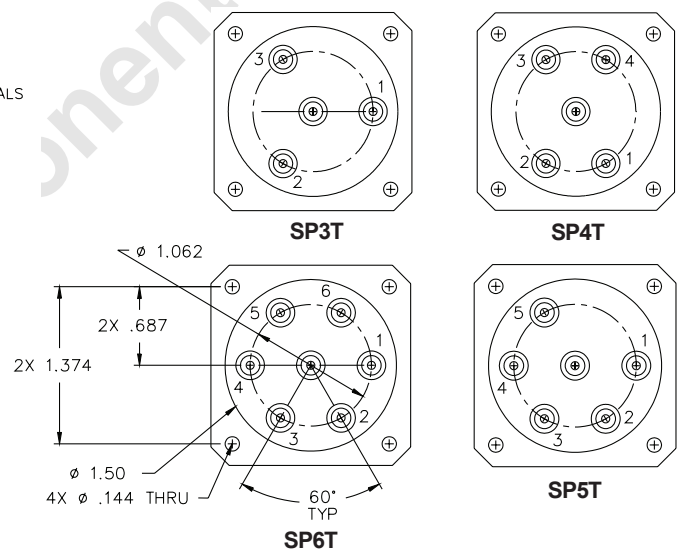
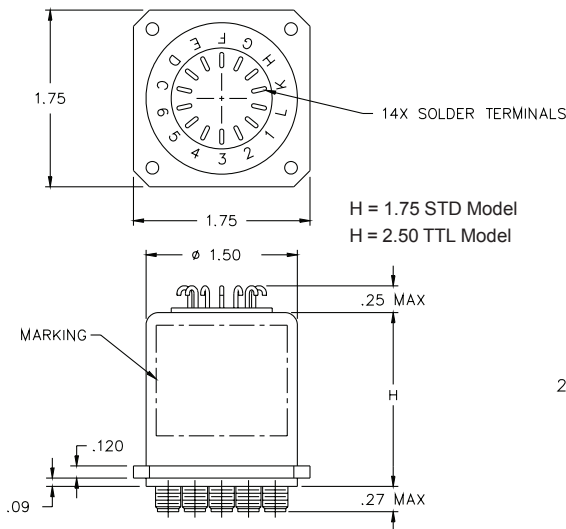
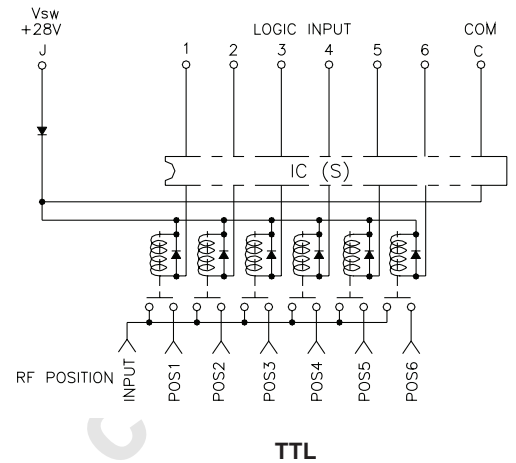
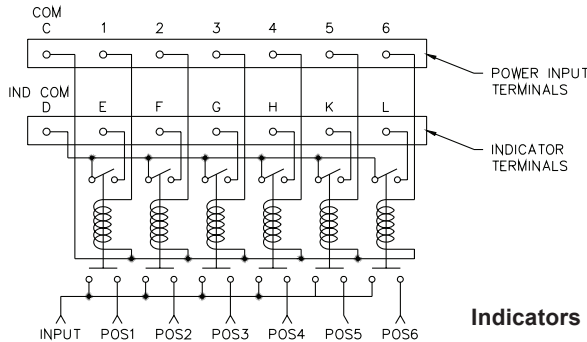
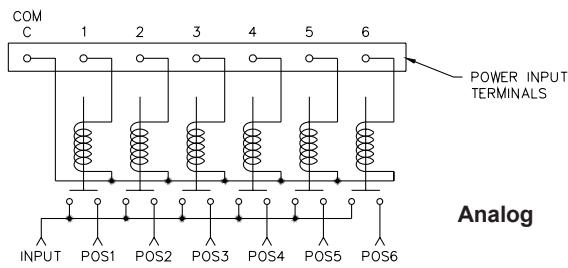
www.teledynecoax.com
email: coax@teledyne.com

Tel: (800) 351-7368
10/2007

Elite CR-58

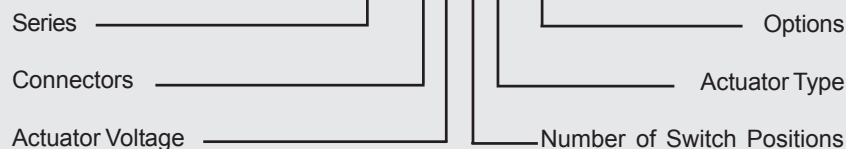
Multi-Throw DC-26.5GHz

Normally Open



Part Numbering System for CR-58 (Normally Open)

CR-58 S 1 5 0 - T



Connector
S: SMA Female

Actuator Voltage
1: 28Vdc Normally Open
2: 15Vdc Normally Open
3: 12Vdc Normally Open

Number of Positions
3: SP3T
4: SP4T
5: SP5T
6: SP6T

Actuator Type
O: No Indicator Contacts
C: Indicator Contacts

Options
T: TTL Drivers with Diodes
R: Positive + Common
TD: TTL Driver with Decoder

For other options contact Factory



Specifications subject to change without notice.

www.teledynecoax.com
email: coax@teledyne.com

Tel: (800) 351-7368
10/2007