

STME 6 HV BU - Test disconnect terminal block



3035694

<https://www.phoenixcontact.com/us/products/3035694>

Please be informed that the data shown in this PDF document is generated from our online catalog. Please find the complete data in the user documentation. Our general terms of use for downloads are valid.



Test disconnect terminal block, nom. voltage: 1000 V, nominal current: 30 A, connection method: Spring-cage connection, Rated cross section: 6 mm², cross section: 0.2 mm² - 10 mm², color: blue

Your advantages

- Connection of standard solar cables up to 10 mm² and with 7.5 mm outside diameter
- The DP-STMED 6 spacer plate ensures sufficient spacing between two adjacent diode terminal blocks
- A space-saving design of the same shape for compact generator connection boxes
- Consistent function shafts enable the simple grouping of individual PV lines using plug-in bridges

Commercial data

Item number	3035694
Packing unit	50 pc
Minimum order quantity	50 pc
Sales key	BE02
Product key	BE2133
Catalog page	Page 237 (C-1-2019)
GTIN	4046356634052
Weight per piece (including packing)	24.88 g
Weight per piece (excluding packing)	24.88 g
Customs tariff number	85369010
Country of origin	PL

STME 6 HV BU - Test disconnect terminal block



3035694

<https://www.phoenixcontact.com/us/products/3035694>

Technical data

Product properties

Product type	Test disconnect terminal block
Number of connections	2
Number of rows	1
Potentials	1

Data management status

Article revision	03
------------------	----

Insulation characteristics

Overvoltage category	III
Degree of pollution	3

Electrical properties

Rated surge voltage	8 kV
Maximum power dissipation for nominal condition	1.31 W

Connection data

Number of connections per level	2
Nominal cross section	6 mm ²
Stripping length	12 mm
Internal cylindrical gage	A4
Connection in acc. with standard	IEC 60947-7-1
Conductor cross section rigid	0.2 mm ² ... 10 mm ²
Cross section AWG	24 ... 8 (converted acc. to IEC)
Conductor cross section flexible	0.2 mm ² ... 6 mm ²
Conductor cross section, flexible [AWG]	24 ... 10 (converted acc. to IEC)
Conductor cross-section flexible (ferrule without plastic sleeve)	0.25 mm ² ... 6 mm ²
Flexible conductor cross section (ferrule with plastic sleeve)	0.25 mm ² ... 6 mm ²
2 conductors with the same cross section, flexible, with TWIN ferrule with plastic sleeve	0.5 mm ² ... 1.5 mm ²
Nominal current	30 A
Maximum load current	30 A (with 10 mm ² conductor cross section)
Nominal voltage	1000 V
Nominal cross section	6 mm ²

Dimensions

Width	8.2 mm
Height	100.8 mm
Depth on NS 35/7,5	49.6 mm
Depth on NS 35/15	57.1 mm

Material specifications

STME 6 HV BU - Test disconnect terminal block



3035694

<https://www.phoenixcontact.com/us/products/3035694>

Color	blue (RAL 5015)
Flammability rating according to UL 94	V0
Insulating material group	I
Insulating material	PA
Static insulating material application in cold	-60 °C
Temperature index of insulation material (DIN EN 60216-1 (VDE 0304-21))	130 °C
Relative insulation material temperature index (Elec., UL 746 B)	130 °C
Fire protection for rail vehicles (DIN EN 45545-2) R22	HL 1 - HL 3
Fire protection for rail vehicles (DIN EN 45545-2) R23	HL 1 - HL 3
Fire protection for rail vehicles (DIN EN 45545-2) R24	HL 1 - HL 3
Fire protection for rail vehicles (DIN EN 45545-2) R26	HL 1 - HL 3
Calorimetric heat release NFPA 130 (ASTM E 1354)	28 MJ/kg
Surface flammability NFPA 130 (ASTM E 162)	passed
Specific optical density of smoke NFPA 130 (ASTM E 662)	passed
Smoke gas toxicity NFPA 130 (SMP 800C)	passed

Mechanical properties

Mechanical data

Open side panel	Yes
-----------------	-----

Environmental and real-life conditions

Ambient conditions

Ambient temperature (operation)	-60 °C ... 110 °C (Operating temperature range incl. self-heating; for max. short-term operating temperature, see RTI Elec.)
Ambient temperature (storage/transport)	-25 °C ... 60 °C (for a short time, not exceeding 24 h, -60 °C to +70 °C)
Ambient temperature (assembly)	-5 °C ... 70 °C
Ambient temperature (actuation)	-5 °C ... 70 °C
Permissible humidity (operation)	20 % ... 90 %
Permissible humidity (storage/transport)	30 % ... 70 %

Standards and regulations

Connection in acc. with standard	IEC 60947-7-1
----------------------------------	---------------

Mounting

Mounting type	NS 35/7,5
	NS 35/15
Thread type	()

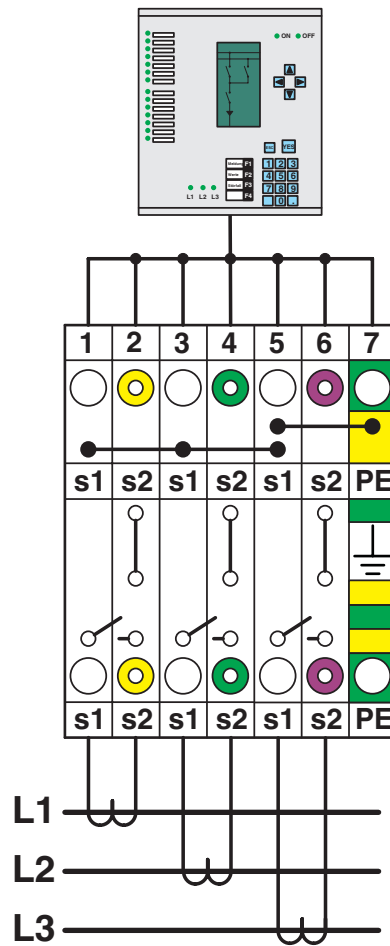
STME 6 HV BU - Test disconnect terminal block

3035694

<https://www.phoenixcontact.com/us/products/3035694>

Drawings

Schematic diagram



Interlinked three-phase current transformer set with grounded star point

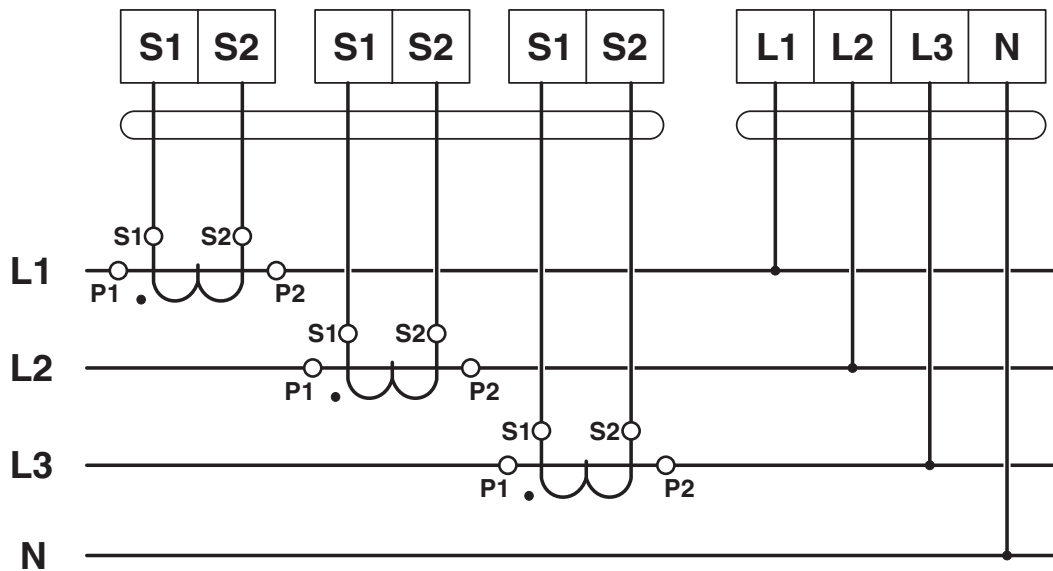
STME 6 HV BU - Test disconnect terminal block



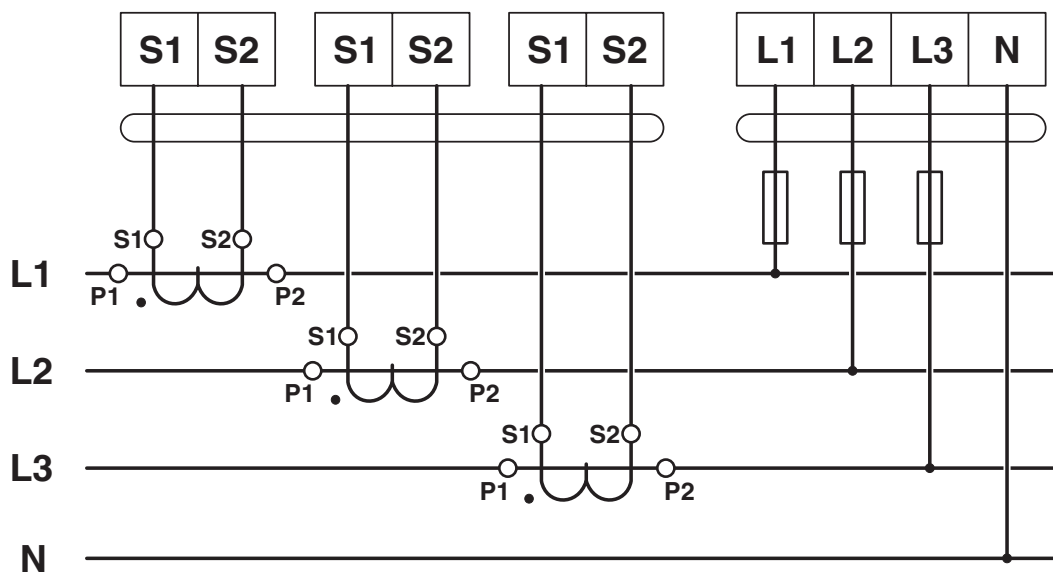
3035694

<https://www.phoenixcontact.com/us/products/3035694>

Circuit diagram



Circuit diagram

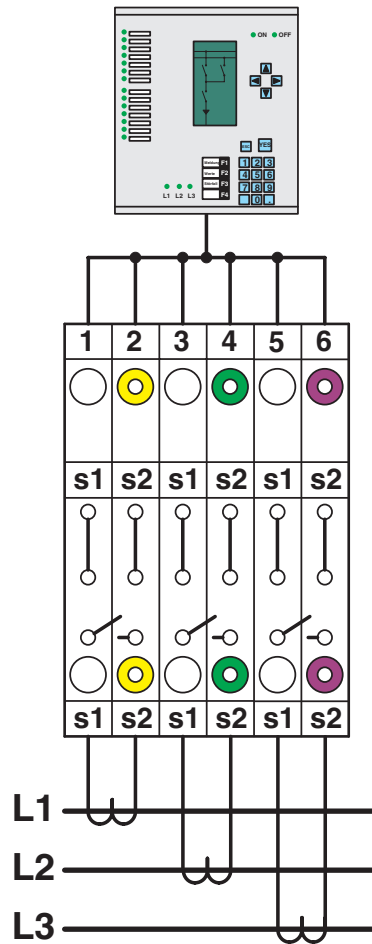


STME 6 HV BU - Test disconnect terminal block

3035694

<https://www.phoenixcontact.com/us/products/3035694>

Schematic diagram



Simple three-phase current transformer set

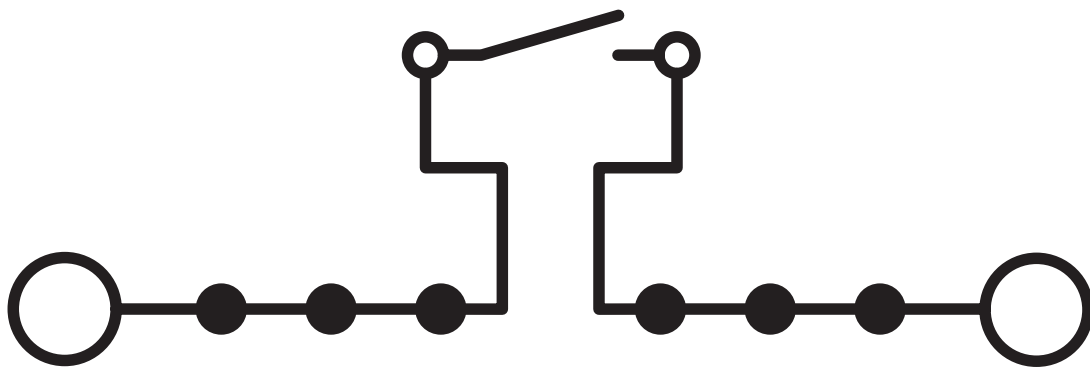
STME 6 HV BU - Test disconnect terminal block



3035694

<https://www.phoenixcontact.com/us/products/3035694>

Circuit diagram



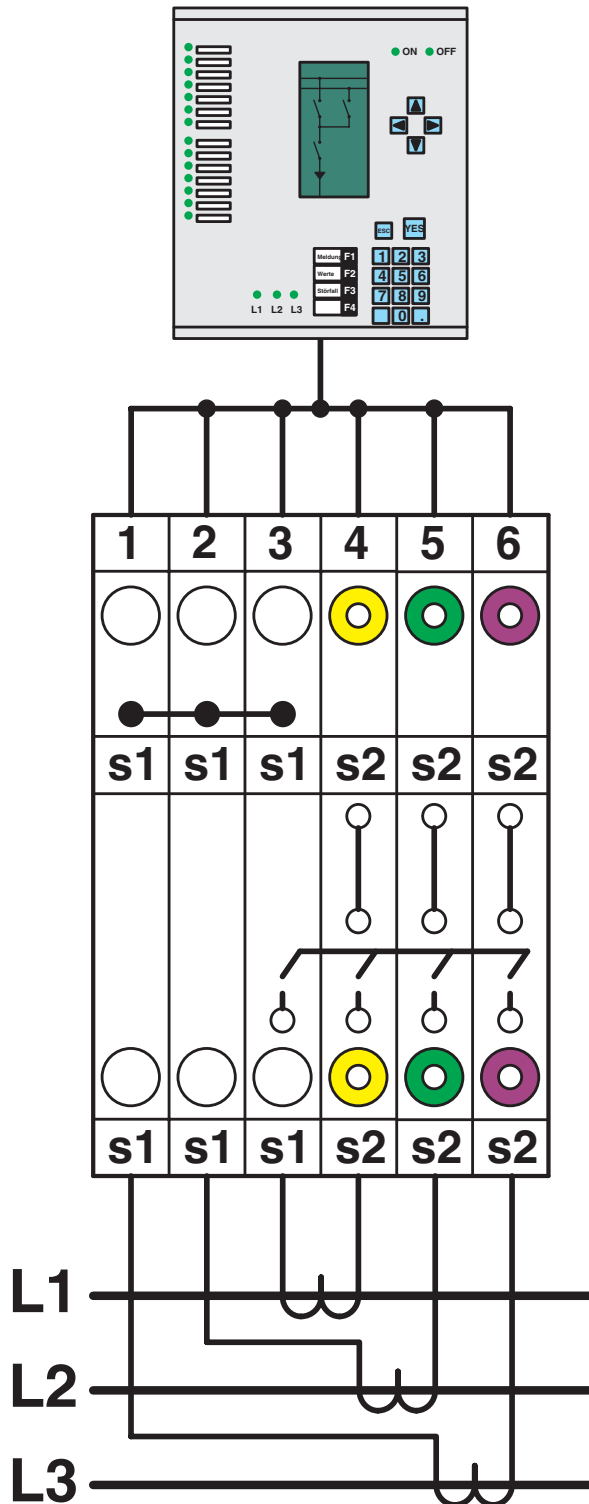
STME 6 HV BU - Test disconnect terminal block



3035694

<https://www.phoenixcontact.com/us/products/3035694>

Schematic diagram



Interlinked three-phase current transformer set

STME 6 HV BU - Test disconnect terminal block





3035694


<https://www.phoenixcontact.com/us/products/3035694>

Approvals

To download certificates, visit the product detail page: <https://www.phoenixcontact.com/us/products/3035694>

 CSA Approval ID: 13631				
	Nominal voltage U_N	Nominal current I_N	Cross section AWG	Cross section mm^2
Use group B	600 V	30 A	24 - 8	-
Use group C	600 V	30 A	24 - 8	-

 EAC Approval ID: RU C-DE.BL08.B.00644				
---	--	--	--	--

 cULus Recognized Approval ID: E60425				
	Nominal voltage U_N	Nominal current I_N	Cross section AWG	Cross section mm^2
Use group B	600 V	30 A	24 - 8	-
Use group C	600 V	30 A	24 - 8	-

STME 6 HV BU - Test disconnect terminal block



3035694

<https://www.phoenixcontact.com/us/products/3035694>

Classifications

ECLASS

ECLASS-11.0	27141126
ECLASS-12.0	27141126
ECLASS-13.0	27250109

ETIM

ETIM 9.0	EC000902
----------	----------

UNSPSC

UNSPSC 21.0	39121400
-------------	----------

STME 6 HV BU - Test disconnect terminal block



3035694

<https://www.phoenixcontact.com/us/products/3035694>

Environmental product compliance

EU RoHS

Fulfills EU RoHS substance requirements	Yes, No exemptions
---	--------------------

China RoHS

Environment friendly use period (EFUP)	EFUP-E
	No hazardous substances above the limits

EU REACH SVHC

REACH candidate substance (CAS No.)	No substance above 0.1 wt%
-------------------------------------	----------------------------

Phoenix Contact 2024 © - all rights reserved
<https://www.phoenixcontact.com>

Phoenix Contact USA
586 Fulling Mill Road
Middletown, PA 17057, United States
(+717) 944-1300
info@phoenixcon.com