



Connectors > Connector Accessories > Connector Hardware



Hardware Accessory Function: **Mounting**
 Connector Hardware Accessory Type: **Plug Frame**
 Primary Product Color: **Black**
 Primary Product Material: **Polycarbonate**
 Operating Temperature (Max): **105 °C [221 °F]**

Features

Product Type Features

Hardware Accessory Function	Mounting
Connector Hardware Accessory Type	Plug Frame

Body Features

Primary Product Color	Black
Primary Product Material	Polycarbonate

Dimensions

Product Width	39.2 mm[1.54 in]
Product Length	49.8 mm[1.961 in]
Product Height	21.7 mm[.854 in]

Usage Conditions

Operating Temperature (Max)	105 °C[221 °F]
Operating Temperature Range	-20 – 105 °C[-4 – 221 °F]

Packaging Features

Packaging Quantity	1
Packaging Method	Package



Product Compliance

[For compliance documentation, visit the product page on TE.com>](#)

EU RoHS Directive 2011/65/EU	Compliant
EU ELV Directive 2000/53/EC	Compliant
China RoHS 2 Directive MIIT Order No 32, 2016	No Restricted Materials Above Threshold
EU REACH Regulation (EC) No. 1907/2006	Current ECHA Candidate List: JUNE 2024 (241) Candidate List Declared Against: JAN 2022 (223) Does not contain REACH SVHC
Halogen Content	Low Halogen - Br, Cl, F, I < 900 ppm per homogenous material. Also BFR/CFR/PVC Free
Solder Process Capability	Not applicable for solder process capability

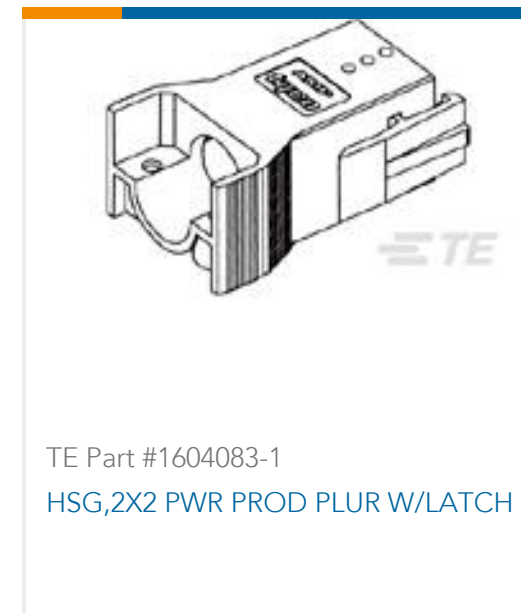
Product Compliance Disclaimer

This information is provided based on reasonable inquiry of our suppliers and represents our current actual knowledge based on the information they provided. This information is subject to change. The part numbers that TE has identified as EU RoHS compliant have a maximum concentration of 0.1% by weight in homogenous materials for lead, hexavalent chromium, mercury, PBB, PBDE, DBP, BBP, DEHP, DIBP, and 0.01% for cadmium, or qualify for an exemption to these limits as defined in the Annexes of Directive 2011/65/EU (RoHS2). Finished electrical and electronic equipment products will be CE marked as required by Directive 2011/65/EU. Components may not be CE marked. Additionally, the part numbers that TE has identified as EU ELV compliant have a maximum concentration of 0.1% by weight in homogenous materials for lead, hexavalent chromium, and mercury, and 0.01% for cadmium, or qualify for an exemption to these limits as defined in the Annexes of Directive 2000/53/EC (ELV). Regarding the REACH Regulation, the information TE provides on SVHC in articles for this part number is based on the latest European Chemicals Agency (ECHA) 'Guidance on requirements for substances in articles' posted at this URL: <https://echa.europa.eu/guidance-documents/guidance-on-reach>

Compatible Parts



Customers Also Bought



Documents

Product Drawings

[HSG,2X3 PWR PROD PLUR W/O LATC](#)

English

CAD Files

[3D PDF](#)

3D

Customer View Model

[ENG_CVM_CVM_1604081-1_B.3d_igs.zip](#)

English

Customer View Model

[ENG_CVM_CVM_1604081-1_B.2d_dxf.zip](#)

English

Customer View Model

[ENG_CVM_CVM_1604081-1_B.3d_stp.zip](#)

English

By downloading the CAD file I accept and agree to the [Terms and Conditions](#) of use.

Datasheets & Catalog Pages

[2_PIECE_POWER_CONNECTORS_qrg_4-1773458-1](#)

English

Product Specifications

[Application Specification](#)

English

[Application Specification](#)

English

1604081-1

Plug Frame, Black, Polycarbonate

