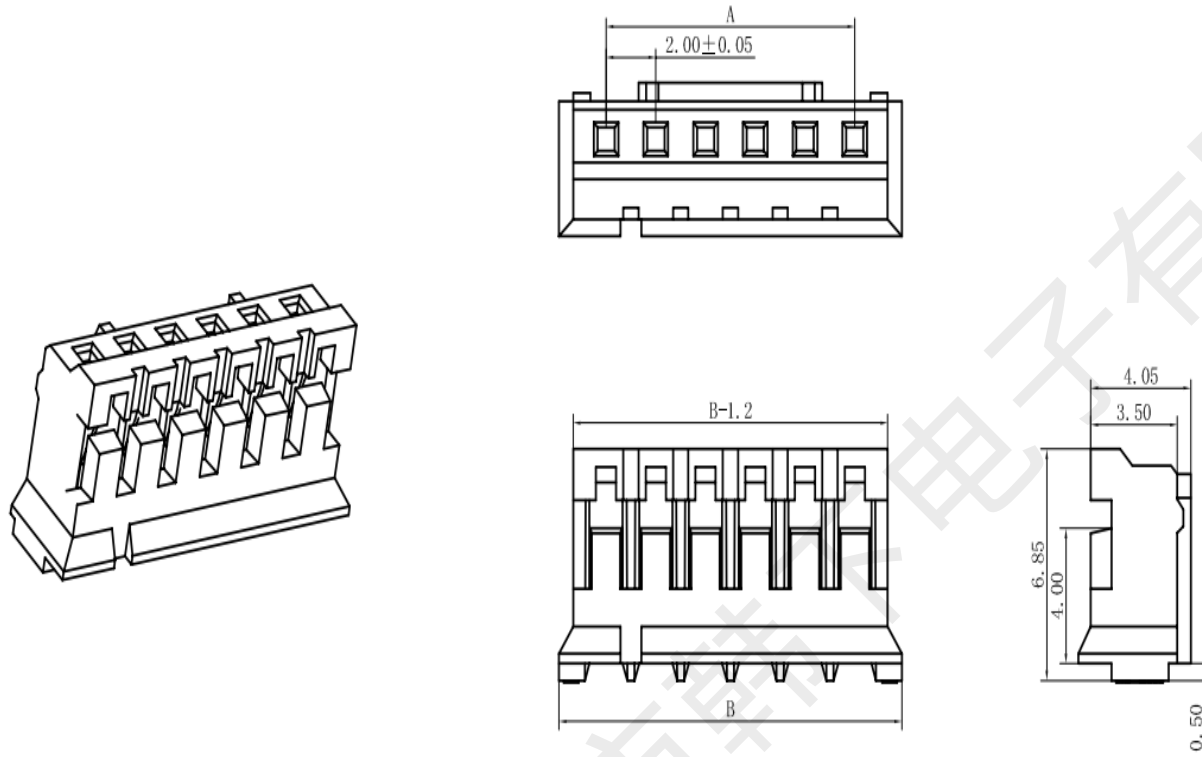


1. 极数 poles: 2 to 20P
2. 额定电流 Current rating: 2.0A AC, DC
3. 额定电压 Voltage rating: 250V AC, DC
4. 温度范围 Temperature range: -25. C to +85. C
5. 接触电阻 Contact resistance:  $\leq 20m\Omega$
6. 绝缘电阻 Insulation resistance:  $\geq 1000m\Omega$
7. 耐电压 Withstand voltage: 800V AC/minute
8. 适用线规 Applicable Wire: AWG #32 to #24
9. 适用基板厚度 Applicable PC board thickness: 1.6mm

● 材料 Material: Nylon66 UL 94V-0

Poles	Part No	Dimensions mm	
		A	B
2	PH-2Y	2.00	5.80
3	PH-3Y	4.00	7.80
4	PH-4Y	6.00	9.80
5	PH-5Y	8.00	11.80
6	PH-6Y	10.00	13.80
7	PH-7Y	12.00	15.80
8	PH-8Y	14.00	17.80
9	PH-9Y	16.00	19.80
10	PH-10Y	18.00	21.80
11	PH-11Y	20.00	23.80
12	PH-12Y	22.00	25.80
13	PH-13Y	24.00	27.80
14	PH-14Y	26.00	29.80
15	PH-15Y	28.00	31.80
16	PH-16Y	30.00	33.80
--	--	--	--



GENERAL TOLERANCE		制图 DRAWING	黄彬		料号 PART NO.	HX PH2.0-3Y		版本 REV.	A
X.±0.25	X.*±2'	审核 CHECK	张伟		品名 TITLE	压线端子胶壳		页次 SHEET	1/1
.X±0.20	.X*±1'		罗小春		客户料号 CUTM. NO.				
.XX±0.15	.XX*±0.5'	核准 APPROVAL							
.XXX±0.10	.XXX*±0.5'	单位 UNITS	MM	比例 SCALE					