

TOLERANCE UNLESS OTHERWISE SPECIFIED IN MM:
 0 ± 0.38 ANGLE x°
 0.0 ± 0.25
 0.00 ± 0.10

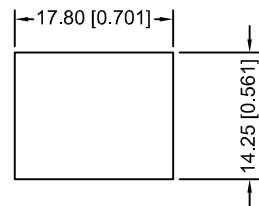
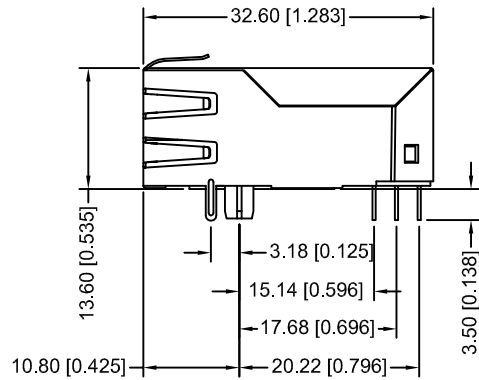
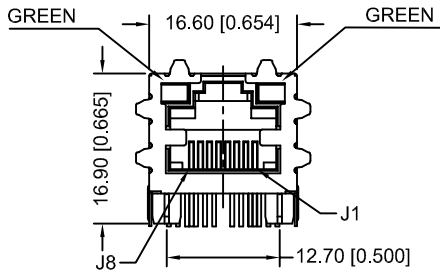
THIS IS A C.A.D. GENERATED DRAWING
 DO NOT MAKE MANUAL REVISIONS TO MASTER.



ISSUE NUMBER

ORIGINAL

1



RECOMMENDED PANEL OPENING

NOTES:

1. MATERIALS:

HOUSING: THERMOPLASTIC, UL 94V-0, COLOR: BLACK

SHIELD: BRASS WITH NICKEL PLATING

CONTACTS: COPPER ALLOY PLATED WITH GOLD PLATING AND TIN IN SOLDER AREA

PART NO	GOLD PLATING THICKNESS
A60-112-233P471	GOLD FLASH PLATING
A60-113-233P471	15 MICRO INCHES OF GOLD
A60-114-233P471	30 MICRO INCHES OF GOLD
A60-115-233P471	50 MICRO INCHES OF GOLD

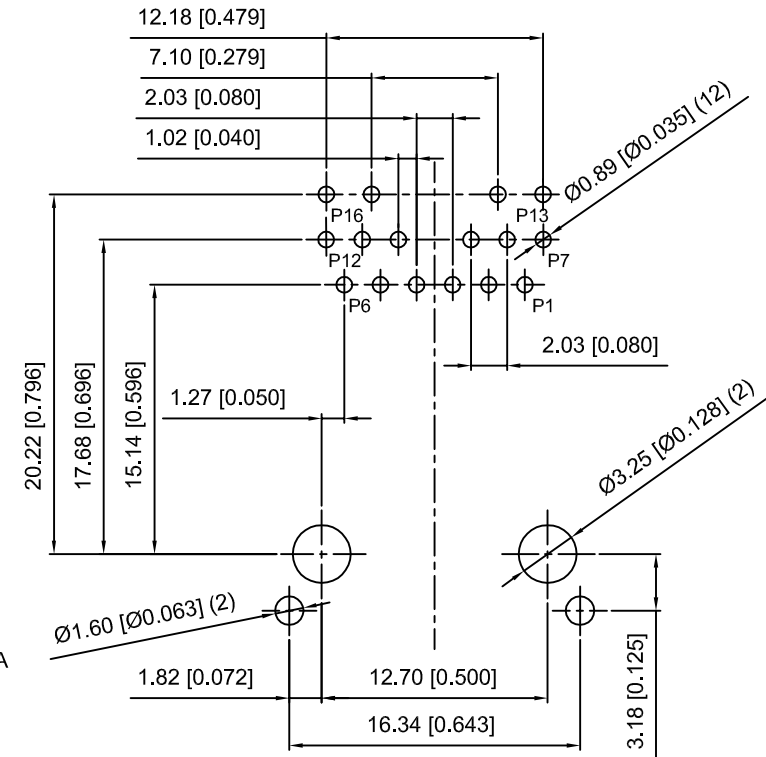
2. OPERATING TEMPERATURE: 0°C TO +70°C

3. STORAGE TEMPERATURE: -40°C TO +85°C

4. MATE WITH MODULAR PLUG CONFORMING TO FCC PART 68, SUBPART F.

5. RECOMMENDED TEMPERATURE FOR WAVE SOLDERING IS 260°C MAX, 10 SEC MAX

6. DIMENSION: MM [INCHES]



RECOMMENDED P.C.B. LAYOUT

TOLERANCE: ±0.08[±0.003]

RJ45 MAGNETIC JACK WITH LED, 12P, 8C
 SHIELDED, 10/100/1000 Mbps- FILTER



THIS SERIES FULLY CONFORMS TO THE EUROPEAN UNION DIRECTIVES 2002/95/EC AND 2002/96/EC FOR RoHS COMPLIANCY.



EDAC INC
 TORONTO, ONTARIO
 CANADA

YOUR CONNECTION TO QUALITY & SERVICE

THESE DRAWINGS AND SPECIFICATIONS ARE THE PROPERTY OF EDAC INC., AND SHALL NOT BE REPRODUCED, OR COPIED OR USED AS THE BASIS FOR THE MANUFACTURE OR SALE OF APPARATUS WITHOUT WRITTEN PERMISSION.

ACAD REFERENCE NO.: A60-112-233P471

DRAWN: R.STA.MONICA

DATE: MAR.23/2012

CHECKED:

DATE:

PART NUMBER

SEE NOTE

SHEET 1 OF 2

DRAWING NUMBER

A60-112-233P471

ISSUE

1

ELECTRICAL CIRCUIT:

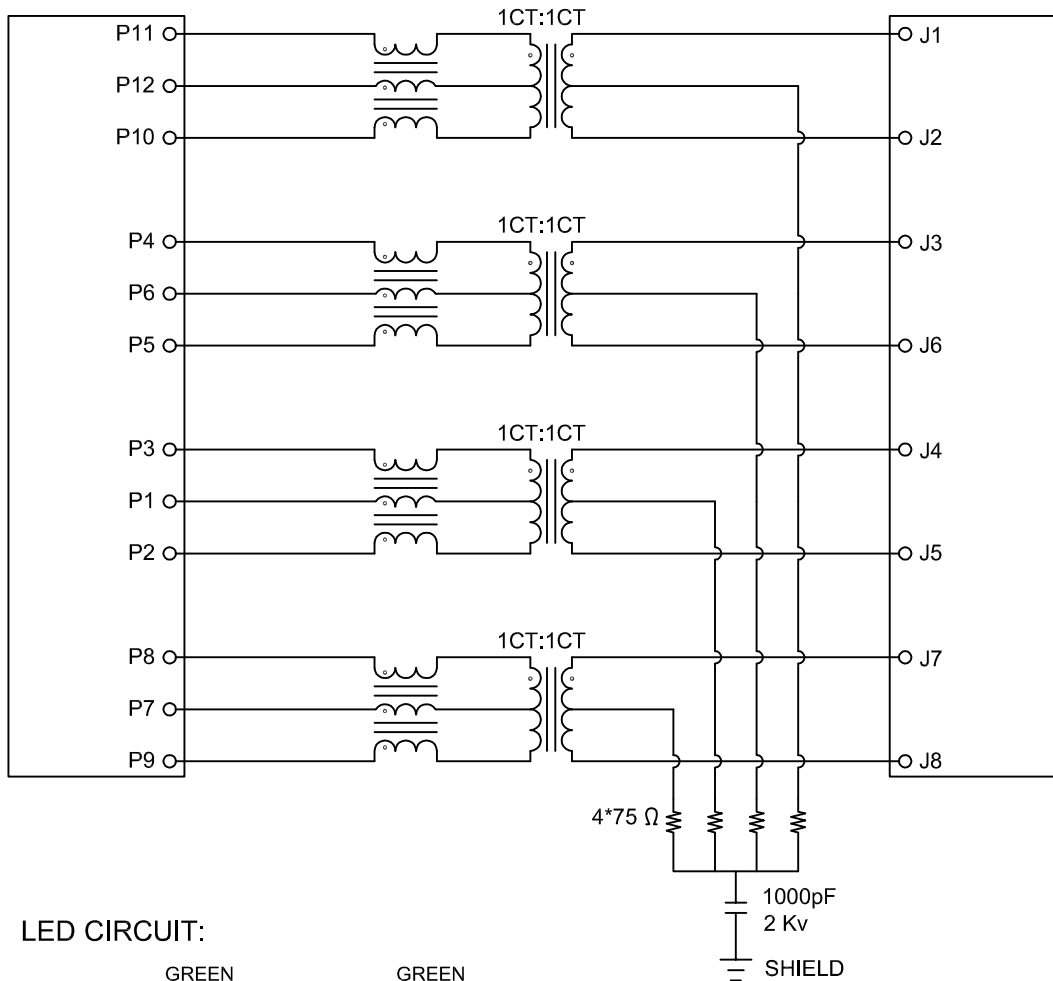
TOLERANCE UNLESS OTHERWISE SPECIFIED IN MM:
 0 ± 0.38 ANGLE x°
 0.0 ± 0.25
 0.00 ± 0.10

THIS IS A C.A.D. GENERATED DRAWING
 DO NOT MAKE MANUAL REVISIONS TO MASTER.



CONNECTOR SOLDER SIDE

RJ45 CONTACT SIDE

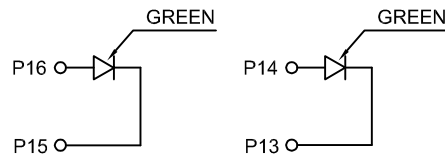


TEST NOTES:(25°±5°C)

- TR:(100KHz,0.1V); 100%
 PINS:(P8,P9):(J7,J8)=1:1±3%;(P3,P2):(J4,J5)=1:1±5%
 PINS:(P4,P5):(J3,J6)=1:1±5%;(P11,P10):(J1,J2)=1:1±5%
- LX:(100KHz,100mV,8mA, DC Bias) 100%
 PINS:(P8,P9),(P3,P2),(P4,P5),(P11,P10)=350uH MINIMUM
- DC RESISTANCE: 1.2 OHMS MAXIMUM
- INSERTION LOSS:
 -1.0 dB MINIMUM AT 1MHz TO 100MHz;
 -1.2 dB MINIMUM AT 100MHz TO 125MHz;
- RETURN LOSS:
 -16dB MAXIMUM AT 1MHz TO 40MHz;
 -12dB MAXIMUM AT 40MHz TO 60MHz
 -10dB MAXIMUM AT 60MHz TO 80MHz
 -8dB MAXIMUM AT 80MHz TO 100MHz
- CROSS TALK:
 -30dB MINIMUM AT 1MHz TO 100MHz
- COMMON TO COMMON MODE ATTENUATION:
 -30dB MINIMUM AT 1MHz TO 100MHz
- ISOLATION PHY SIDE TO LINE SIDE: 2250 VDC

LED SPECIFICATIONS (WITH FORWARD CURRENT OF 20 mA)			
STANDARD LED	WAVELENGTH	FORWARD V (MAX)	TYP
GREEN	565 nm	2.4 V	2.2 V

LED CIRCUIT:



**RJ45 MAGNETIC JACK WITH LED, 12P, 8C
 SHIELDED, 10/100/1000 Mbps- FILTER**



THIS SERIES FULLY CONFORMS TO THE EUROPEAN UNION DIRECTIVES 2002/95/EC AND 2002/96/EC FOR RoHS COMPLIANCY.



EDAC INC
 TORONTO, ONTARIO
 CANADA

YOUR CONNECTION TO QUALITY & SERVICE

THESE DRAWINGS AND SPECIFICATIONS ARE THE PROPERTY OF EDAC INC., AND SHALL NOT BE REPRODUCED, OR COPIED OR USED AS THE BASIS FOR THE MANUFACTURE OR SALE OF APPARATUS WITHOUT WRITTEN PERMISSION.

ACAD REFERENCE NO.: A60-112-233P471	
DRAWN: R.STA.MONICA	DATE: MAR.23/2012
CHECKED:	DATE:
PART NUMBER	
SEE NOTE	
SHEET 2 OF 2	
DRAWING NUMBER	ISSUE
A60-112-233P471	1