

TMC 73D 15A - Miniature Circuit Breaker



1020095

<https://www.phoenixcontact.com/us/products/1020095>

Please be informed that the data shown in this PDF document is generated from our online catalog. Please find the complete data in the user documentation. Our general terms of use for downloads are valid.



Miniature Circuit Breaker, number of positions: 3, cross section: 1 mm²- 35 mm², AWG: 18 - 2, mounting type: DIN rail: 35 mm

Commercial data

Item number	1020095
Packing unit	1 pc
Minimum order quantity	1 pc
Note	Made to order (non-returnable)
Sales key	CL09
Product key	CLA126
GTIN	4055626509754
Weight per piece (including packing)	222.222 g
Weight per piece (excluding packing)	222.222 g
Customs tariff number	85362010
Country of origin	CN

TMC 73D 15A - Miniature Circuit Breaker



1020095

<https://www.phoenixcontact.com/us/products/1020095>

Technical data

Product properties

Product type	Thermomagnetic device circuit breakers
Product family	TMC 7
Type	DIN rail module, one-piece
Number of positions	3
Mechanical service life	20000

Data management status

Article revision	03
------------------	----

Electrical properties

Service life electrical	6000
-------------------------	------

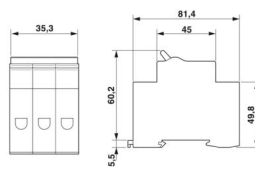
General

Operating voltage	277 V AC (277/480Y, 240D)
Rated current I_N	15 A
Tripping method	TM (thermomagnetic)
Rated short-circuit switching capacity I_{cn}	7.5 kA (277/480Y, 240D)
Fuse	D (curve)

Connection data

Conductor cross section rigid	1 mm ² ... 35 mm ²
Cross section AWG	18 ... 2 (converted acc. to IEC)
Conductor cross section flexible	1 mm ² ... 35 mm ²
Connection method	Screw connection
Tightening torque, min	2 Nm
Stripping length	11 mm ... 12 mm
Conductor cross section flexible max.	35 mm ²
Conductor cross section, rigid max.	35 mm ²

Dimensions

Dimensional drawing	
Width	52.9 mm
Height	84.3 mm
Depth	76.6 mm (incl. DIN rail 7.5 mm)

Material specifications

Color	light gray (RAL 7035)
-------	-----------------------

TMC 73D 15A - Miniature Circuit Breaker



1020095

<https://www.phoenixcontact.com/us/products/1020095>

	gray (RAL 7042)
--	-----------------

Environmental and real-life conditions

Ambient conditions

Degree of protection	IP20
Ambient temperature (operation)	-35 °C ... 70 °C
Humidity test	48 h, 95% RH, 40°C (IEC 60068-2-78)
Shock (operation)	30g (11 ms) (IEC 60068-2-11, test Ea)
Vibration (operation)	±0.38 mm (10-57 Hz), 5g (57...500 Hz) (Sinusoidal test to IEC 60068-2-6, Test Fc. 10 frequency cycles per axis)

Standards and regulations

Standards/specifications	UL 1077
Standards/specifications	IEC 60947-2

Mounting

Mounting type	DIN rail: 35 mm
---------------	-----------------

TMC 73D 15A - Miniature Circuit Breaker

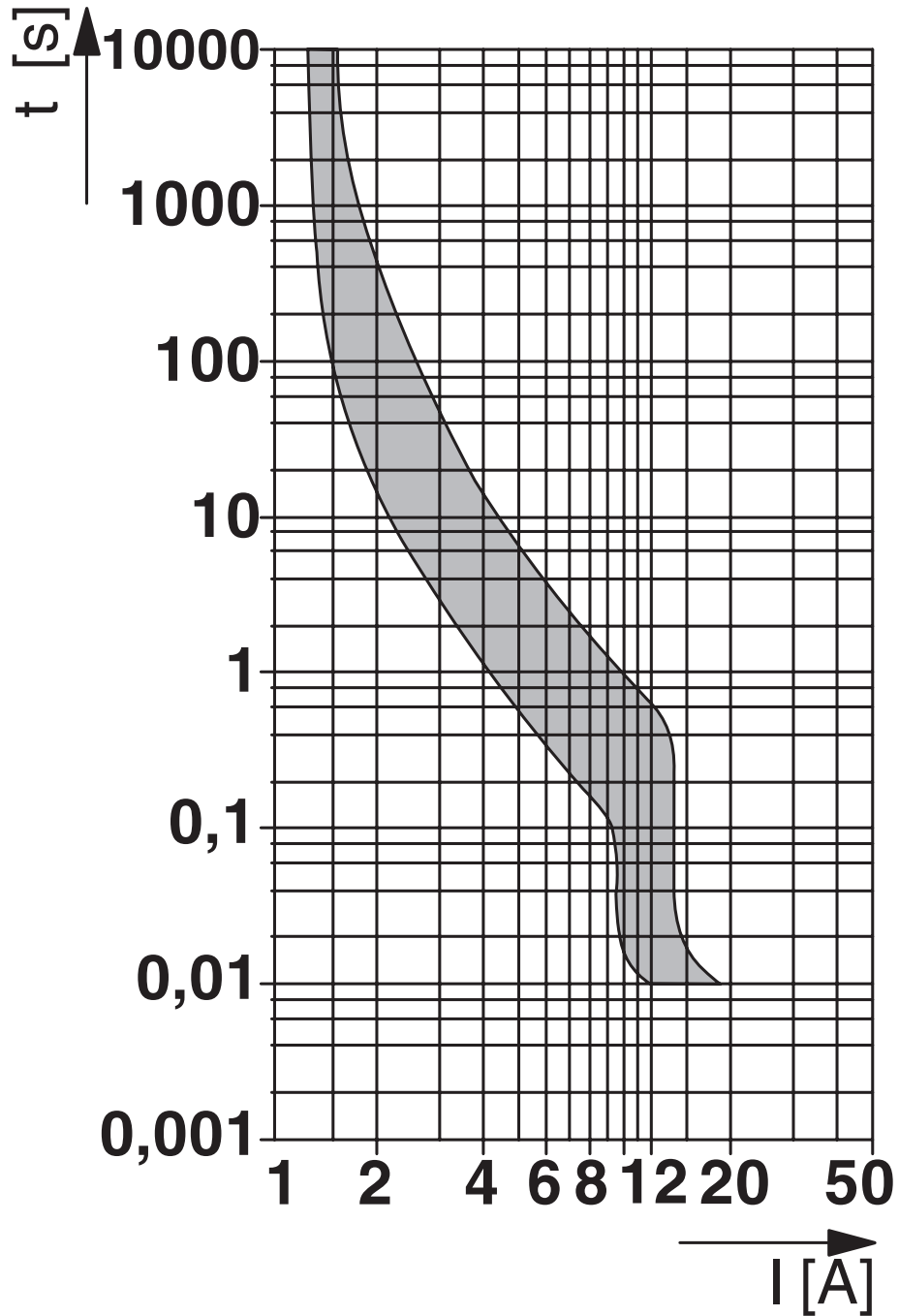


1020095

<https://www.phoenixcontact.com/us/products/1020095>

Drawings

Diagram



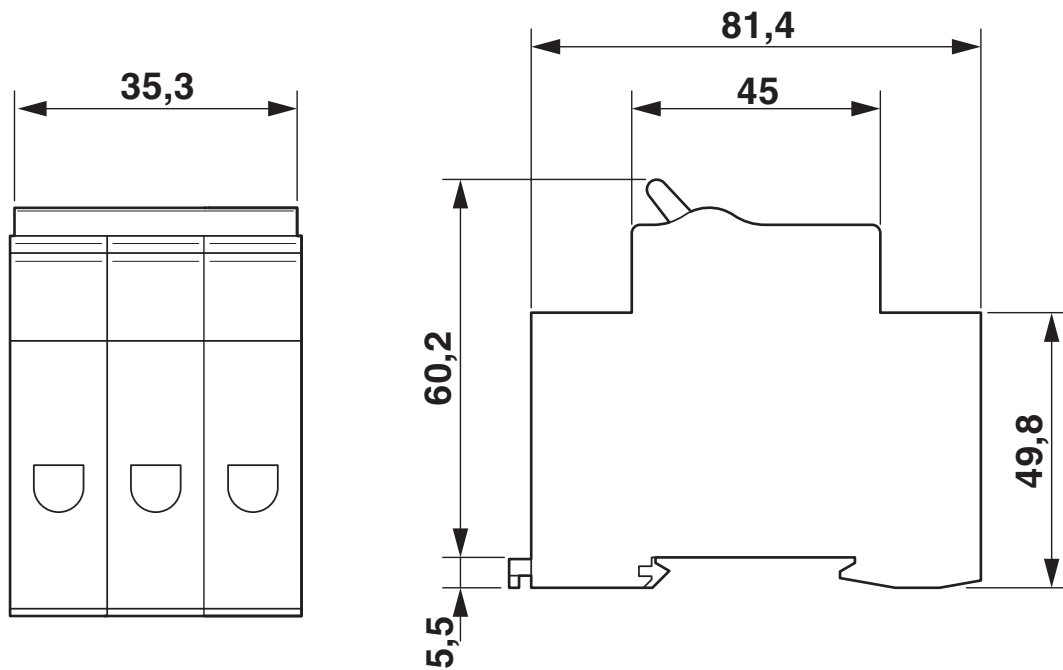
TMC 73D 15A - Miniature Circuit Breaker

1020095

<https://www.phoenixcontact.com/us/products/1020095>



Dimensional drawing



TMC 73D 15A - Miniature Circuit Breaker



1020095

<https://www.phoenixcontact.com/us/products/1020095>

Approvals

To download certificates, visit the product detail page: <https://www.phoenixcontact.com/us/products/1020095>



cUL Recognized
Approval ID: FILE E 140459



UL Recognized
Approval ID: FILE E 140459



TÜV Rheinland
Approval ID: R 50531587



CCC
Approval ID: 2024010307673885

cULus Recognized

TMC 73D 15A - Miniature Circuit Breaker



1020095

<https://www.phoenixcontact.com/us/products/1020095>

Classifications

ECLASS

ECLASS-11.0	27141116
ECLASS-12.0	27141116
ECLASS-13.0	27140401

ETIM

ETIM 9.0	EC003538
----------	----------

UNSPSC

UNSPSC 21.0	39121410
-------------	----------

TMC 73D 15A - Miniature Circuit Breaker



1020095

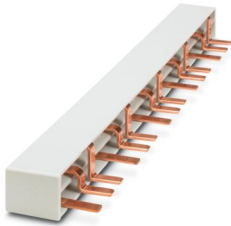
<https://www.phoenixcontact.com/us/products/1020095>

Accessories

TMC 7 B3 80 57 C - Wiring bridge

1022234

<https://www.phoenixcontact.com/us/products/1022234>

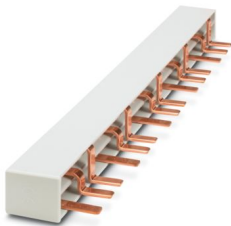


Bus bar for TMC 73... circuit breakers (three phase) 17.8 mm pitch, up to 57 positions. Rated for 80 A (end feed) 600 V AC/DC. UL 508 Listed for connection of UL 1077 rated circuit breakers.

TMC 7 B3 80 48 CA - Wiring bridge

1025400

<https://www.phoenixcontact.com/us/products/1025400>



Bus bar for TMC 73... circuit breakers (two phase) with auxilliary switch. 17.8 mm pitch, up to 48 positions. Rated for 80 A (end feed) 600 V AC/DC. UL 508 Listed for connection of UL 1077 rated circuit breakers.

TMC 73D 15A - Miniature Circuit Breaker

1020095

<https://www.phoenixcontact.com/us/products/1020095>



TMC 7 B2/3 TERM - Terminal adapter

1022232

<https://www.phoenixcontact.com/us/products/1022232>



Feeder terminal adapter for TMC 72 or TMC 73 circuit breakers, two- or three-phase bus bars. Rated for 600 V AC/DC 115 A. Wire range 10...1/0 AWG. UL 508 Listed for connection to UL 1077 rated circuit breakers.

TMC 7 B2/3 END CAP - Wiring bridge end cover

1022229

<https://www.phoenixcontact.com/us/products/1022229>

Protective end covers for TMC 7 multi-pole bus bars



TMC 73D 15A - Miniature Circuit Breaker

1020095

<https://www.phoenixcontact.com/us/products/1020095>



TMC 7 B BUS CAP - Protective cover

1022224

<https://www.phoenixcontact.com/us/products/1022224>



Protective covers for TMC 7 single-pole bus bars. Cuttable, five positions, yellow.

TMC 7/8 AUX - Auxiliary Contact

2908219

<https://www.phoenixcontact.com/us/products/2908219>



Auxiliary Contact, number of positions: 1, connection method: Screw, cross section: 1 mm²- 35 mm², AWG: 18 - 2, mounting type: Snaps on to side of circuit breaker

TMC 73D 15A - Miniature Circuit Breaker

1020095

<https://www.phoenixcontact.com/us/products/1020095>



TMC 7/8 ALARM - Alarm Switch

2908220

<https://www.phoenixcontact.com/us/products/2908220>



Alarm Switch, number of positions: 1, connection method: Screw, cross section: 1 mm²- 35 mm², AWG: 18 - 2, mounting type: Snaps on to side of circuit breaker

TMC 7/8 12VDC SHNT - Shunt trip

2908221

<https://www.phoenixcontact.com/us/products/2908221>



Shunt trip, number of positions: 1, connection method: Screw, cross section: 1 mm²- 35 mm², AWG: 18 - 2, mounting type: Snaps on to side of circuit breaker

TMC 73D 15A - Miniature Circuit Breaker

1020095

<https://www.phoenixcontact.com/us/products/1020095>



TMC 7/8 24VDC SHNT - Shunt trip

2908222

<https://www.phoenixcontact.com/us/products/2908222>



Shunt trip, number of positions: 1, connection method: Screw, cross section: 1 mm² - 35 mm², AWG: 18 - 2, mounting type: Snaps on to side of circuit breaker

TMC 7/8 48VDC SHNT - Shunt trip

2908224

<https://www.phoenixcontact.com/us/products/2908224>



Shunt trip, number of positions: 1, connection method: Screw, cross section: 1 mm² - 35 mm², AWG: 18 - 2, mounting type: Snaps on to side of circuit breaker

TMC 73D 15A - Miniature Circuit Breaker



1020095

<https://www.phoenixcontact.com/us/products/1020095>

TMC 7/8 125VDC SHNT - Shunt trip

2908225

<https://www.phoenixcontact.com/us/products/2908225>



Shunt trip, number of positions: 1, connection method: Screw, cross section: 1 mm² - 35 mm², AWG: 18 - 2, mounting type: Snaps on to side of circuit breaker

TMC 7/8 120VAC SHNT - Shunt trip

2908226

<https://www.phoenixcontact.com/us/products/2908226>



Shunt trip, number of positions: 1, connection method: Screw, cross section: 1 mm² - 35 mm², AWG: 18 - 2, mounting type: Snaps on to side of circuit breaker

TMC 73D 15A - Miniature Circuit Breaker

1020095

<https://www.phoenixcontact.com/us/products/1020095>

TMC 7/8 240VAC SHNT - Shunt trip

2908227

<https://www.phoenixcontact.com/us/products/2908227>



Shunt trip, number of positions: 1, connection method: Screw, cross section: 1 mm² - 35 mm², AWG: 18 - 2, mounting type: Snaps on to side of circuit breaker

TMC 7/8 277VAC SHNT - Shunt trip

2908228

<https://www.phoenixcontact.com/us/products/2908228>



Shunt trip, number of positions: 1, connection method: Screw, cross section: 1 mm² - 35 mm², AWG: 18 - 2, mounting type: Snaps on to side of circuit breaker

TMC 73D 15A - Miniature Circuit Breaker



1020095

<https://www.phoenixcontact.com/us/products/1020095>

EML (10X4)R - Label

0815583

<https://www.phoenixcontact.com/us/products/0815583>



Label, Roll, white, unlabeled, can be labeled with: THERMOMARK E.300 (D)/600 (D), THERMOMARK ROLL 2.0, THERMOMARK ROLL, THERMOMARK ROLL X1, THERMOMARK ROLLMASTER 300/600, THERMOMARK X1.2, mounting type: adhesive, lettering field size: 10 x 4 mm, Number of individual labels: 10000

TML (104X3,8)R - Marker strip

0801833

<https://www.phoenixcontact.com/us/products/0801833>



Marker strip, Roll, white, unlabeled, can be labeled with: THERMOMARK E.300 (D)/600 (D), THERMOMARK ROLL 2.0, THERMOMARK ROLL, THERMOMARK ROLL X1, THERMOMARK ROLLMASTER 300/600, THERMOMARK X1.2, mounting type: adhesive, for terminal block width: 104 mm, lettering field size: 104 x 3.8 mm, Number of individual labels: 2500

TMC 73D 15A - Miniature Circuit Breaker

1020095

<https://www.phoenixcontact.com/us/products/1020095>



SZK PZ2 VDE - Screwdriver

1206463

<https://www.phoenixcontact.com/us/products/1206463>



Screwdriver, PZ crosshead, VDE insulated, size: PZ 2 x 100 mm, 2-component grip, with non-slip grip

Phoenix Contact 2024 © - all rights reserved

<https://www.phoenixcontact.com>

Phoenix Contact USA
586 Fulling Mill Road
Middletown, PA 17057, United States
(+717) 944-1300
info@phoenixcon.com