

IV-AW3P-1939 - Terminal position assurance



1521029

<https://www.phoenixcontact.com/us/products/1521029>

Please be informed that the data shown in this PDF document is generated from our online catalog. Please find the complete data in the user documentation. Our general terms of use for downloads are valid.

Terminal position assurance, number of positions: 3, material: PA-GF



Commercial data

Item number	1521029
Packing unit	50 pc
Minimum order quantity	50 pc
Sales key	BF72
Product key	BF2IEC
GTIN	4063151985431
Weight per piece (including packing)	22.22 g
Weight per piece (excluding packing)	0.43 g
Country of origin	MX

IV-AW3P-1939 - Terminal position assurance



1521029

<https://www.phoenixcontact.com/us/products/1521029>

Technical data

Notes

General	AW3P-1939
General	Use with AT04-3P-1939 housings

Trade restriction

CE note	The products are offered exclusively for export outside the EU and the European Economic Area.
---------	--

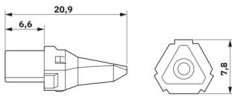
Product properties

Product type	Terminal position assurance
Series	AT04
Number of positions	3

Data management status

Article revision	00
------------------	----

Dimensions

Dimensional drawing	
Width	7.8 mm
Height	7 mm
Length	20 mm

Material specifications

Housing material	PA-GF
------------------	-------

Environmental and real-life conditions

Ambient conditions

Ambient temperature (operation)	-55 °C ... 125 °C
---------------------------------	-------------------

IV-AW3P-1939 - Terminal position assurance

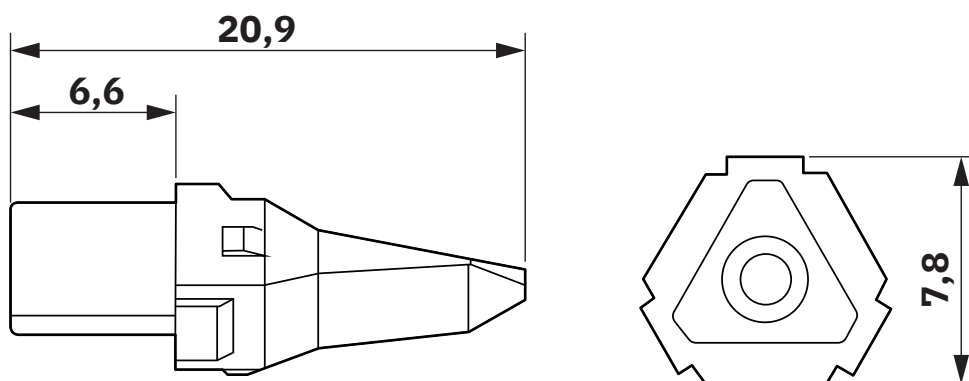


1521029

<https://www.phoenixcontact.com/us/products/1521029>

Drawings

Dimensional drawing



AW3P-1939 top view and side view

IV-AW3P-1939 - Terminal position assurance



1521029

<https://www.phoenixcontact.com/us/products/1521029>

Classifications

ECLASS

ECLASS-11.0	27440102
ECLASS-12.0	27440116
ECLASS-13.0	27440116

IV-AW3P-1939 - Terminal position assurance



1521029

<https://www.phoenixcontact.com/us/products/1521029>

Environmental product compliance

EU RoHS

Fulfills EU RoHS substance requirements	Yes, No exemptions
---	--------------------

China RoHS

Environment friendly use period (EFUP)	EFUP-E
	No hazardous substances above the limits

EU REACH SVHC

REACH candidate substance (CAS No.)	No substance above 0.1 wt%
-------------------------------------	----------------------------

IV-AW3P-1939 - Terminal position assurance



1521029

<https://www.phoenixcontact.com/us/products/1521029>

Accessories

SACC-AT04-3P-RS-IV - Connector housing

1520948

<https://www.phoenixcontact.com/us/products/1520948>

Connector housing, Crimp contacts



SACC-AT04-3P-IV - Connector housing

1520949

<https://www.phoenixcontact.com/us/products/1520949>

Connector housing, Crimp contacts



Phoenix Contact 2024 © - all rights reserved

<https://www.phoenixcontact.com>

Phoenix Contact USA

586 Fulling Mill Road

Middletown, PA 17057, United States

(+717) 944-1300

info@phoenixcon.com