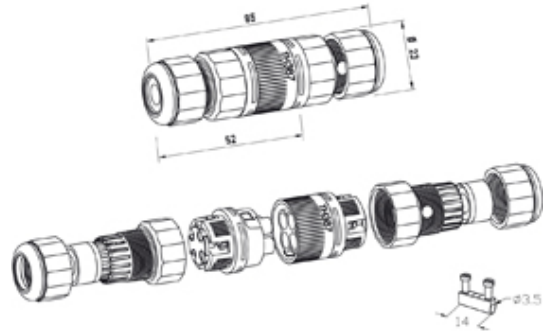


### THB.387.A3A

TeePlug 3 poleScrew - end barrier contact terminal 7mm to 12mm cable diameter, 4 mm max conductor size IP68 17A 450V 1 cable entry



#### SPECIFICATION

Cable entries	1
Number of poles	3
Terminal type	Screw - end barrier contact
Body material	PA66
Max conductor size (Sq mm)	4
Max current (A)	17
Max voltage (V)	450
Minimum temp rating °C	-40
IP rating	68
Max temp rating °C	125
Fixing system	Cable
Maximum cable diameter (mm)	12
Minimum cable diameter (mm)	7
Temperature "T" rating	T125

#### DISTRIBUTORS

