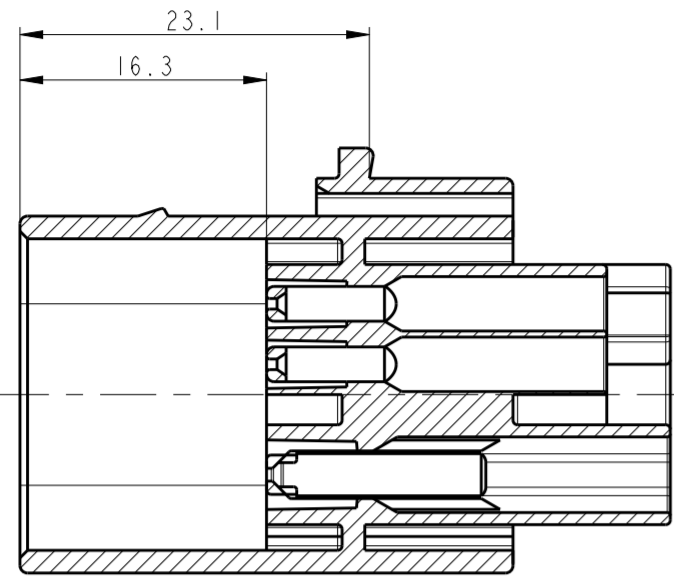
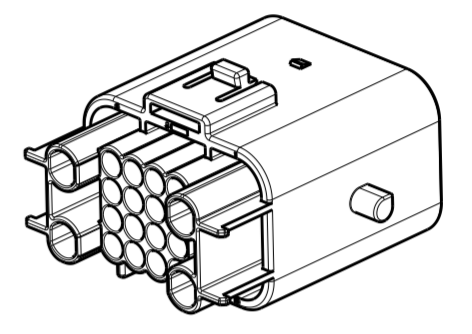
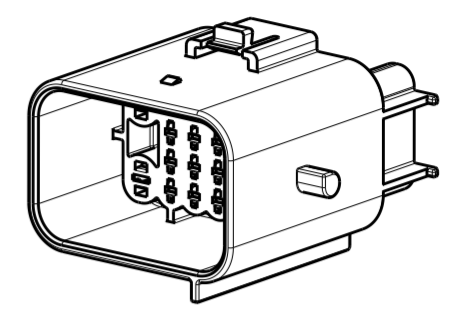
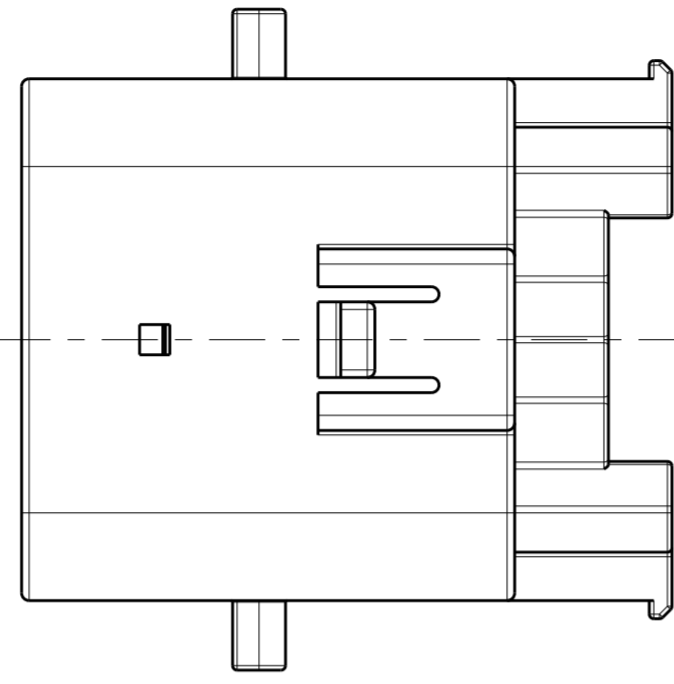


THIS DRAWING IS UNPUBLISHED. RELEASED FOR PUBLICATION 20
 © COPYRIGHT 20 BY - TE Connectivity ALL RIGHTS RESERVED.

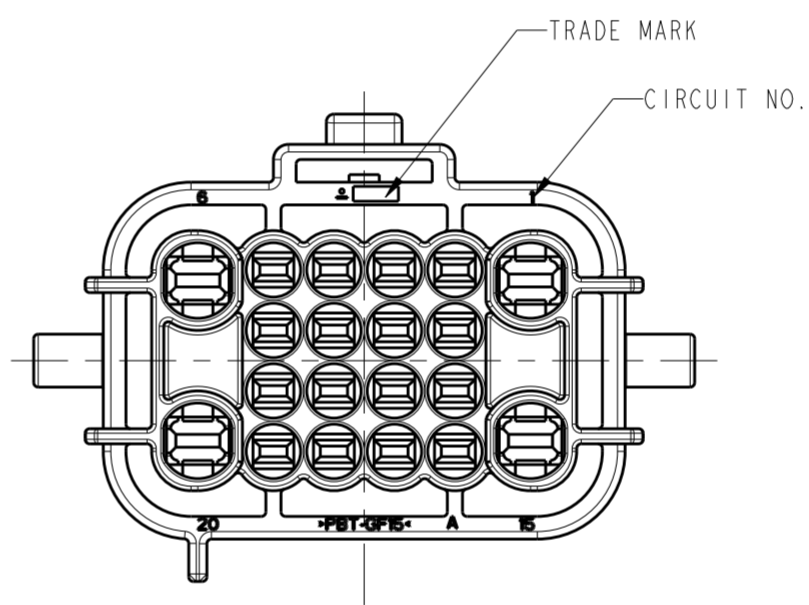
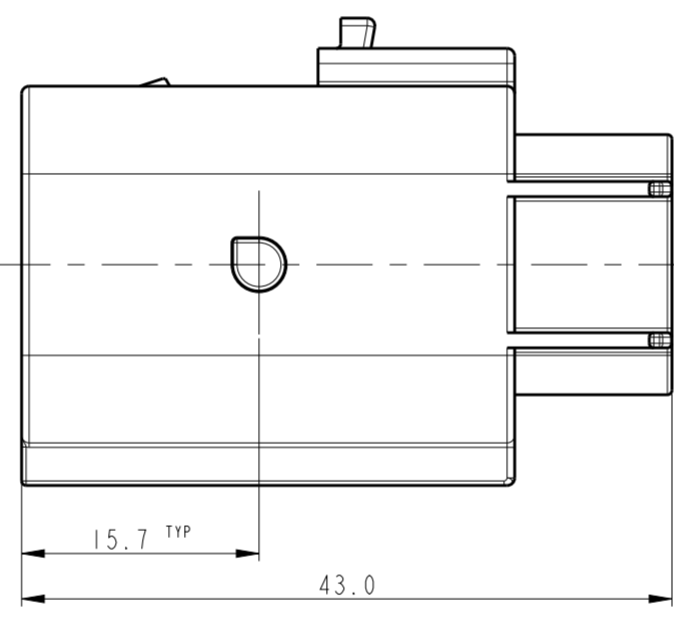
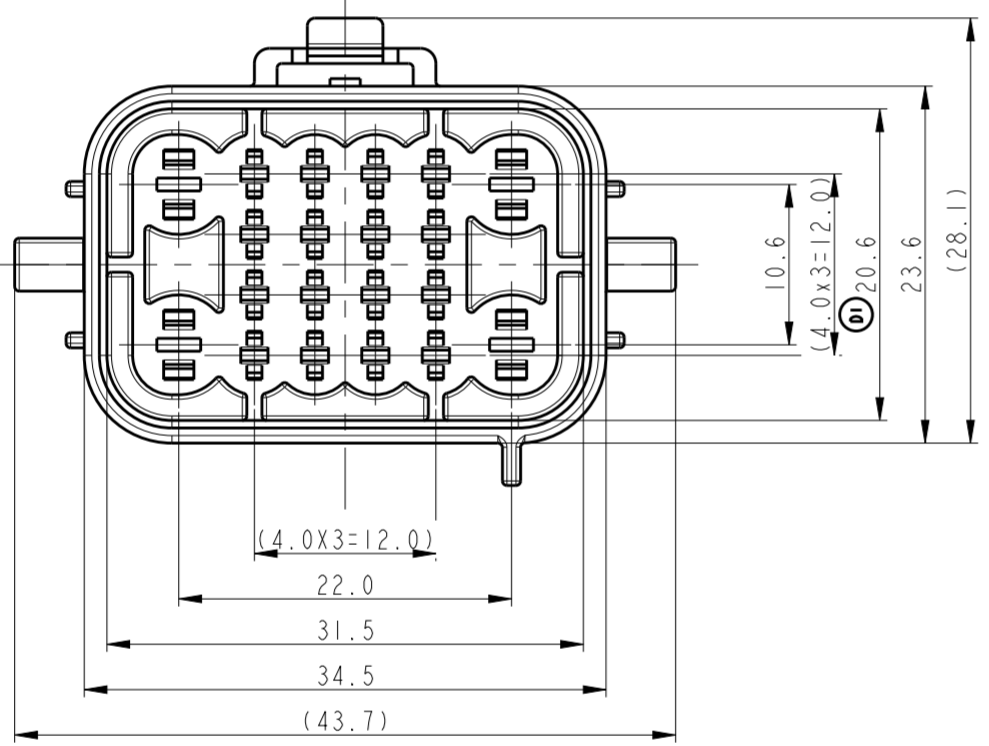
REVISIONS				
P	LTR	DESCRIPTION	DATE	APVD
B		REVISED (ECR-07-027758)	05DEC2007	KT JK
C		REVISED (ECR-10-020545)	30DEC2010	SJ HG
D		REVISED (ECR-12-008736)	11MAY2012	SJ HG
D1		REVISED (ECR-16-017155)	05DEC2016	SJ JW



SECTION A-A



3D-VIEW SCALE 1/1



<TABLE 1>

TYPE	P/N	WIRE SIZE (mm ²)	FINISH
MT11	0-963902-1	0.25~0.5	CuSn4
	0-963902-3		CuSn4(GOLD)
	0-963904-1	0.5~1.0	CuSn4
	0-963904-3		CuSn4(GOLD)
JPT	1-962915-1	0.5~0.85	CuSn4
	1-962915-3		CuSn4(GOLD)
	1-962916-1	1.25~2.0	CuSn4
	1-962916-3		CuSn4(GOLD)

- NOTE.
- GENERAL TOLERANCE : ±0.3, ±3°
 - DELIVERY CONDITION
 - APPLIED PLUG ASS'Y P/N : 936777
APPLIED WIRE COVER P/N : 936783
 - APPLICABLE CONTACT P/N : TABLE 1

CAP HSG	PBT-GF15	BLACK	0-936780-2
DESCRIPTION	MATERIAL	COLOR	P/N

THIS DRAWING IS A CONTROLLED DOCUMENT.		DWN S.J. CHOI	TE Connectivity															
DIMENSIONS: mm		CHK S.J. CHOI																
TOLERANCES UNLESS OTHERWISE SPECIFIED		APVD J.W. JUNG	NAME CAP HSG FOR MT11 JPT HYBRID SEALED 20P CONN'R															
<table border="1"> <tr><td>0 PLC</td><td>±</td></tr> <tr><td>1 PLC</td><td>±</td></tr> <tr><td>2 PLC</td><td>±</td></tr> <tr><td>3 PLC</td><td>±</td></tr> <tr><td>4 PLC</td><td>±</td></tr> <tr><td>ANGLES</td><td>±</td></tr> <tr><td>FINISH</td><td>±</td></tr> </table>		0 PLC	±	1 PLC	±	2 PLC	±	3 PLC	±	4 PLC	±	ANGLES	±	FINISH	±	PRODUCT SPEC -	RESTRICTED TO	
0 PLC	±																	
1 PLC	±																	
2 PLC	±																	
3 PLC	±																	
4 PLC	±																	
ANGLES	±																	
FINISH	±																	
MATERIAL SEE TABLE		APPLICATION SPEC -	SIZE A2	CAGE CODE 00779														
		WEIGHT -	DRAWING NO. G-936780	SCALE 2:1														
		CUSTOMER DRAWING	SHEET 1 OF 1 REV D1															