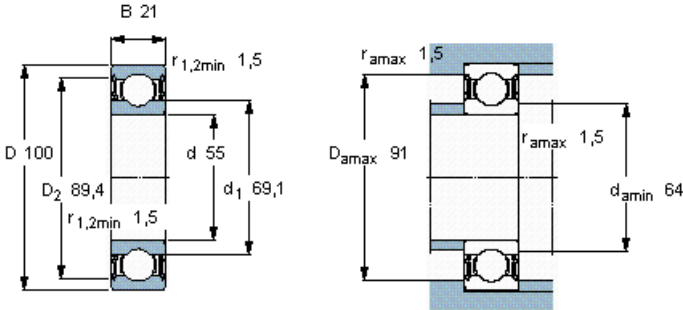


### Deep groove ball bearings, single row

Principal dimensions			Basic load ratings		Fatigue load limit $P_u$	Speed ratings		Mass	Designation
d	D	B	dynamic	static		Reference speed	Limiting speed		
mm			kN	$C_0$	kN	r/min		kg	-
55	100	21	46,2	29	1,25	-	4300	0,61	6211-2RS1 *



**Calculation factors**

$k_r = 0,025$   
 $f_0 = 14$