



Terminals & Splices > Quick Disconnects



Quick Disconnect Terminal Type: **Receptacle**

Wire Size: .51 – 1.31 mm²

Mating Tab Width: 4.75 mm [.187 in]

Mating Tab Thickness: .51 mm [.02 in]

Features

Product Type Features

Insertion Force	Normal
-----------------	--------

Configuration Features

Connection Capacity	Single
Compatible With Wire & Cable Type	Discrete Wire

Contact Features

Quick Disconnect Terminal Type	Receptacle
Mating Tab Width	4.75 mm [.187 in]
Mating Tab Thickness	.51 mm [.02 in]
Terminal Orientation	Straight
Contact Base Material	Brass
Terminal Plating Material	Tin
Crimp Type	F-Crimp
Barrel Type	Open

Termination Features

--	--



Product Terminates To	Wire & Cable
-----------------------	--------------

Mechanical Attachment

Wire Insulation Support	With
Mating Retention Type	Dimple

Dimensions

Terminal Material Thickness	.3 mm[.012 in]
Product Length	16.6 mm[.653 in]
Compatible Insulation Diameter Range	2.29 – 3.3 mm[.09 – .13 in]
Wire Size	.51 – 1.31 mm ²

Usage Conditions

Insulation Option	Uninsulated
Operating Temperature Range	-40 – 110 °C[-40 – 230 °F]

Industry Standards

Compatible With Agency/Standards Products	CSA, UL
---	---------

Packaging Features

Packaging Quantity	9000
Packaging Method	Strip/Reel

Product Compliance

[For compliance documentation, visit the product page on TE.com>](#)

EU RoHS Directive 2011/65/EU	Compliant
EU ELV Directive 2000/53/EC	Compliant
China RoHS 2 Directive MIIT Order No 32, 2016	No Restricted Materials Above Threshold
EU REACH Regulation (EC) No. 1907/2006	Current ECHA Candidate List: JUNE 2024 (241) Candidate List Declared Against: JUNE 2024 (241) Does not contain REACH SVHC
Halogen Content	Low Halogen - Br, Cl, F, I < 900 ppm per homogenous material. Also BFR/CFR/PVC Free
Solder Process Capability	Not applicable for solder process capability

Product Compliance Disclaimer

This information is provided based on reasonable inquiry of our suppliers and represents our current actual knowledge based on the information they provided. This information is subject to change. The part numbers that TE has identified as EU RoHS compliant have a maximum concentration of 0.1% by weight in homogenous materials for lead, hexavalent chromium, mercury, PBB, PBDE, DBP, BBP, DEHP, DIBP, and 0.01% for cadmium, or qualify for an exemption to these limits as defined in the Annexes of Directive 2011/65/EU (RoHS2). Finished electrical and electronic equipment products will be CE marked as required by Directive 2011/65/EU. Components may not be CE marked. Additionally, the part numbers that TE has identified as EU ELV compliant have a maximum concentration of 0.1% by weight in homogenous materials for lead, hexavalent chromium, and mercury, and 0.01% for cadmium, or qualify for an exemption to these limits as defined in the Annexes of Directive 2000/53/EC (ELV). Regarding the REACH Regulation, the information TE provides on SVHC in articles for this part number is based on the latest European Chemicals Agency (ECHA) 'Guidance on requirements for substances in articles' posted at this URL: <https://echa.europa.eu/guidance-documents/guidance-on-reach>

Compatible Parts



TE Part # 2150007-1
OCEAN_2.0_Applicator-E-090F140F-REM



REPRESENTATION ONLY

TE Part # 755336-1
DAHT FASTON 22-14 ASSY



TE Part # 2150007-2
OCEAN_2.0_Applicator-E-090F140F-REA



TE Part # 2178549-2
187 FASTON,REC.,18-14 AWG,TPBR



TE Part # 2232975-1
187 FASTON,REC.,20-16 AWG,TPBR



KIT

REPRESENTATION ONLY

TE Part # 7-2150007-7
OCEAN_2.0_SPARE_PART_KIT-090F140F



TE Part # 2825630-1
STD MAG-MATE .187 POKE-IN TAB



TE Part # 2825631-1
STD MAG-MATE .187 POKE-IN TAB



TE Part # 2825632-1
STD MAG-MATE .187 POKE-IN TAB

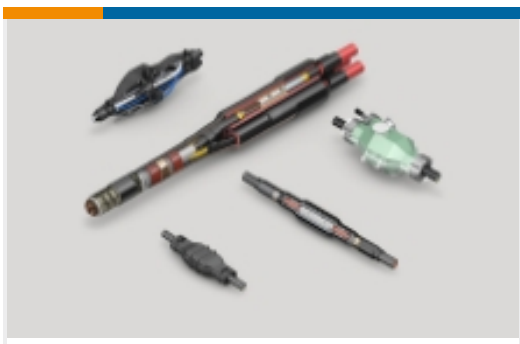
Also in the Series | **FASTON 187**



Crimp Terminal Housings(41)



Insertion & Extraction Tools(1)



Joints & Splices(1)



PCB Terminals(42)



Quick Disconnects(208)

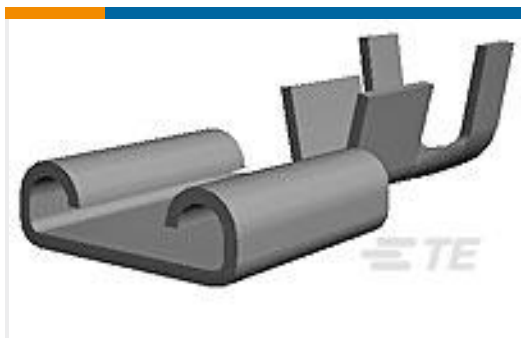


Splices(1)

Customers Also Bought



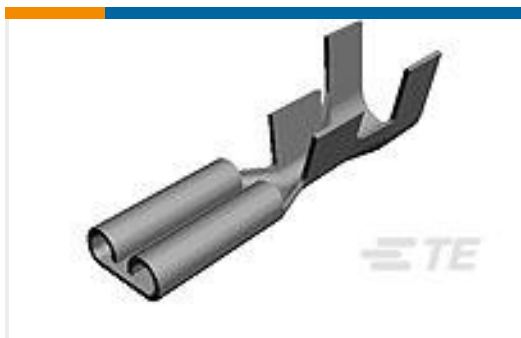
TE Part #170011-2
RING STRIP 18-14 MM2 0.503 X 11.938
TPBR



TE Part #170183-1
250 FASTON,REC.,22-18 AWG,BR



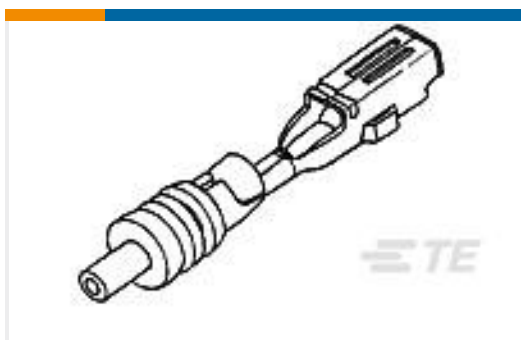
TE Part #179975-1
250 PL EX REC. 15-10AWG PTBR



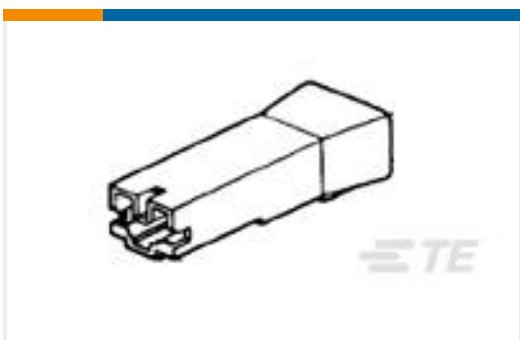
TE Part #170213-1
250 FASTON,REC.,18-14 AWG,BR



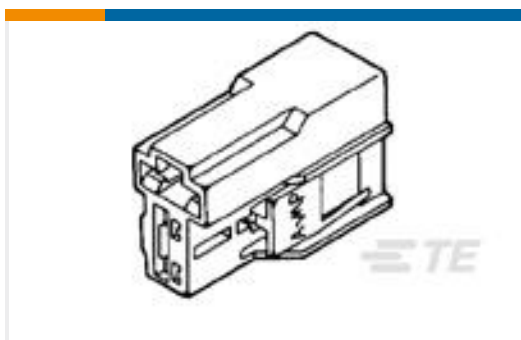
TE Part #170140-1
187 FASTON,FLAG,REC.,16-20 AWG,
BR



TE Part #171662-5
E-J MK-2 070 USA REV A ONLY



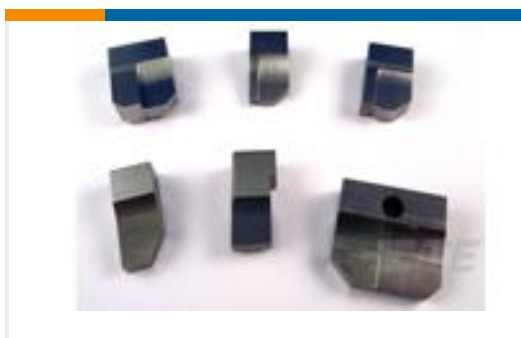
TE Part #177627-1
PL .250 (6.3 MM) HOUSING
RECEPTACLE



TE Part #172434-1
POSITIVE LOCK 250 (6.3 MM)
HOUSING



TE Part #1-2119582-6
Crimper, Insulation F Premium



TE Part #1333211-5
ANVIL, COMBINATION .150-.300

Documents



Product Drawings

[187 FASTON,REC.,20-16 AWG,TPBR](#)

English

CAD Files

Customer View Model

[ENG_CVM_CVM_170037-2_AD.2d_dxf.zip](#)

English

3D PDF

3D

Customer View Model

[ENG_CVM_CVM_170037-2_AD.3d_igs.zip](#)

English

Customer View Model

[ENG_CVM_CVM_170037-2_AD.3d_stp.zip](#)

English

By downloading the CAD file I accept and agree to the [Terms and Conditions](#) of use.

Product Specifications

[Application Specification](#)

English

Instruction Sheets

[Instruction Sheet \(non U.S.\)](#)

Japanese

Agency Approvals

[UL Report](#)

English