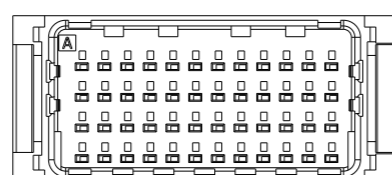
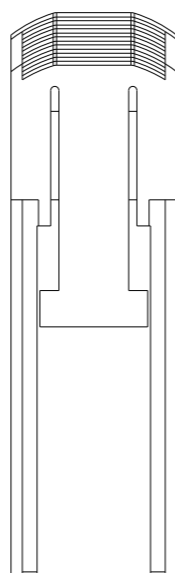
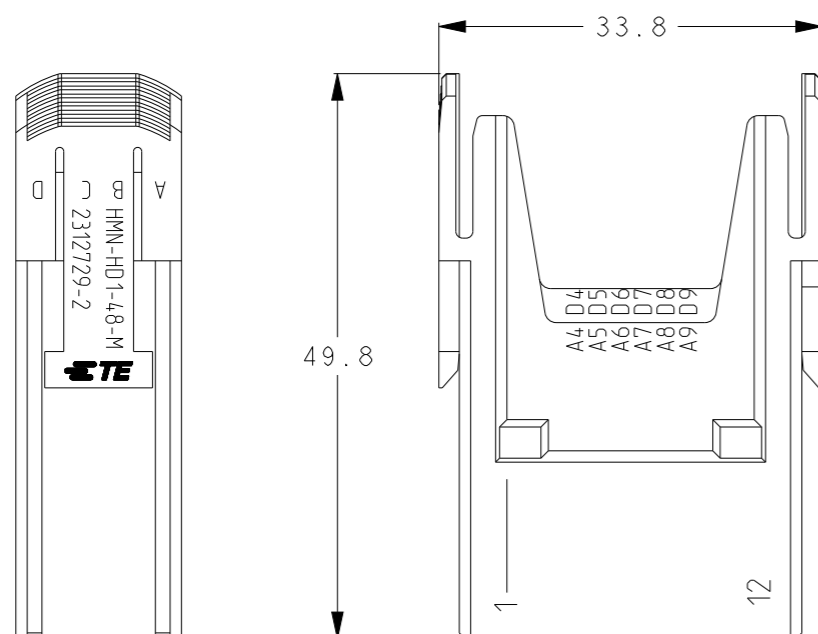
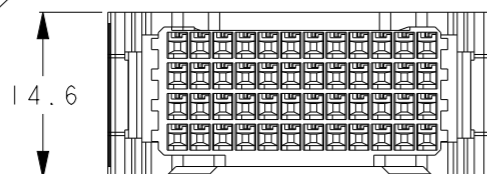
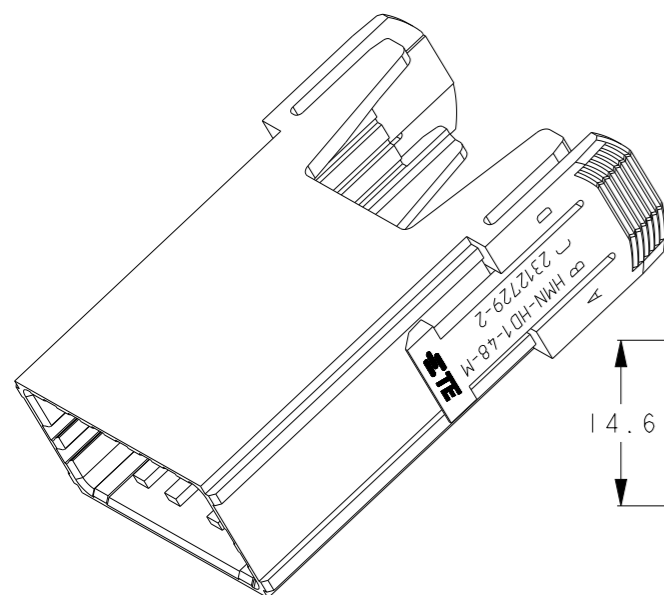


REVISIONS

P	LTR	DESCRIPTION	DATE	DWN	APVD
	A	RELEASED	13DEC2017	RI	EI
	A1	REVISED PER ECR-18-004154	04APR2018	RI	EI
	A2	REVISED PER ECR-18-007678	20JUN2018	TS	EI
	B	ECR-21-111778	09SEP2021	DW	CW



- TECHNICAL CHARACTERISTICS :  
 INSULATION MATERIAL : PBT  
 RATED VOLTAGE : 32V  
 RATED CURRENT : 2.2A  
 INSULATION RESISTANCE :  $\geq 100M\Omega$   
 RATED IMPULSE VOLTAGE : 0.8KV  
 POLLUTION DEGREE : 3  
 FLAMMABILITY : UL94V-0  
 MATING CYCLES : 500 CYCLES  
 OPERATION TEMPERATURE :  $-40^{\circ}C \sim +125^{\circ}C$   
 WIRE RANGE : 0.05SQmm~0.37SQmm  
 CONTACT TYPE : CRIMP CONTACT
- CONTACT NEED TO BE ORDERED SEPARATELY.  
 (ORDER No. REFER TO DRAWING : SEE TABLE 1)
- FRAMES NEED TO BE ORDERED SEPARATELY.  
 (ORDER No. REFER TO DRAWING : SEE TABLE 2)

TABLE 1

INSULATION RANGE	WIRE RANGE	SIZE	REEL	L/P	DESCRIPTION
1.08-1.6	AWG28-22, 0.08-0.37SQmm	M	2316663-2	2316669-2	HDI TAB CONTACT
0.6-1.2	AWG30-28, 0.05-0.10SQmm	S	2316663-1	2316669-1	HDI TAB CONTACT
			PART NUMBER		

TABLE 2

DESCRIPTION	PART NUMBER
H24B MALE FRAME FOR 6 MODULES	T2070244101-002
H16B MALE FRAME FOR 4 MODULES	T2070164101-002
H10B MALE FRAME FOR 3 MODULES	T2070104101-002
H6B MALE FRAME FOR 2 MODULES	T2070064101-002
H10A MALE FRAME FOR 1 MODULE	T2079104101-002

2312729-2  
PART NUMBER

THIS DRAWING IS A CONTROLLED DOCUMENT.		DWN R. ITO 13DEC2017	TE Connectivity MODULE INSERT, HMN-HDI-48-M HDC DYNAMIC				
DIMENSIONS: mm		CHK T. SHIMOYASU 13DEC2017					
TOLERANCES UNLESS OTHERWISE SPECIFIED:		APVD E. IKEMATSU 13DEC2017					
0 PLC ±0.5 1 PLC ±0.5 2 PLC ±0.5 3 PLC ±0.5 4 PLC ±0.5 ANGLES ±5°		PRODUCT SPEC 108-140152					
MATERIAL SEE NOTE		FINISH -	APPLICATION SPEC 114-78022	SIZE A3	CAGE CODE -	DRAWING NO ©-2312729	RESTRICTED TO -
CUSTOMER DRAWING			WEIGHT 11.2g	SCALE 3:2	SHEET 1 OF 1	REV B	