

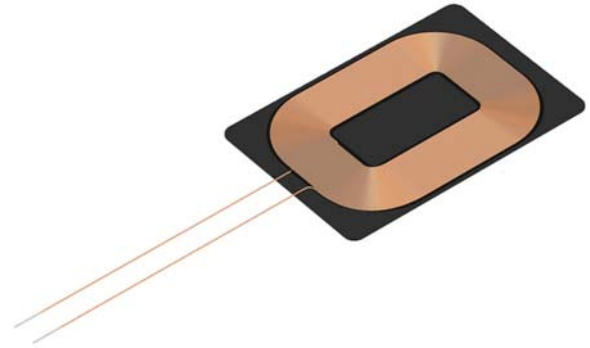
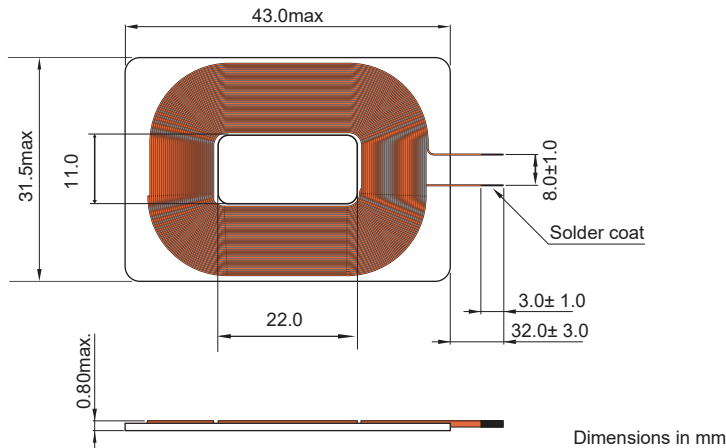
### YX-A11-R431231-G3232



#### APPLICATIONS

- Cross outlet
- Coil attached square diskette, size: 43\*31.5mm\*0.3mm
- Double-sided magnetic tape
- Attach the coil to double-sided tape
- Double line tinning

#### SHAPE & DIMENSIONS



#### AIR COIL SPECIFICATIONS

| Number of Coils | Wire Diameters | Turns Ratio |
|-----------------|----------------|-------------|
| 1               | ø0.30mm x 2P   | 12T         |

#### MAXIMUM RATINGS

| Operating Temperature / Humidity | Storage Temperature / Humidity |
|----------------------------------|--------------------------------|
| -40 to +85°C / 10 to 65% R.H.    | -25 to +125°C / 10 to 65%      |

#### ELECTRICAL CHARACTERISTICS

| OCL<br>[100kHz 0.1V] (μH) | DCR<br>[100kHz 0.1V] (mΩ) | WPC Compliant |
|---------------------------|---------------------------|---------------|
| 11.50 ± 10%               | 175.00                    | Yes           |

#### PACKAGING : BAG TYPE

| Dimensions (mm) |             | Quantity (pcs)       |      |
|-----------------|-------------|----------------------|------|
| Tray            | 10          | Qty per tray         | 100  |
| Small carton    | 320x320x55  | Qty per small carton | 10   |
| Outer carton    | 350x350x180 | Qty per outer carton | 1000 |

#### OTHERS

|                    |      |
|--------------------|------|
| Weight<br>(g) typ. | 2.53 |
|--------------------|------|