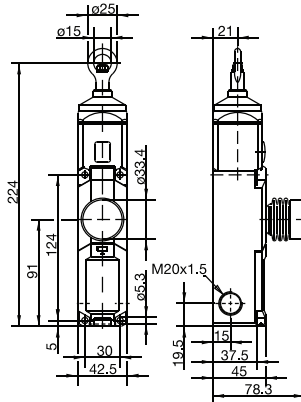


## SR Series - Safety Rope Pull Switches

Max. span length

Cable Ring with Reset Only



82 Ft. (25 Meters)

**2 NC / 2 NO**

**4 NC**

**601.1621.064**  
SR-U2Z-0-LU-100-L0-0-0

**601.1691.074**  
SR-A4Z-0-LU-100-L0-0-0

Replaces  
**601.1621.030**  
SR-U2Z 100

Replaces  
**601.1691.033**  
SR-A4Z 100

123 Ft. (37.5 Meters)

**601.1621.065**  
SR-U2Z-0-LU-175-L0-0-0

**601.1691.075**  
SR-A4Z-0-LU-175-L0-0-0

Replaces  
**601.1621.026**  
SR-U2Z 175

Replaces  
**601.1691.047**  
SR-A4Z 175

246 Ft. (75 Meters)

**601.1621.066**  
SR-U2Z-0-LU-300-L0-0-0

**601.1691.076**  
SR-A4Z-0-LU-300-L0-0-0

Replaces  
**601.1620.020**  
SR-U2Z 300

Replaces  
**601.1691.048**  
SR-A4Z 300

Approvals



Contact type

**2 NC/2 NO (Zb)**

**4 NC**

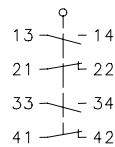
Action contacts

**U2Z**

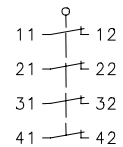
**A4Z**

Circuit symbol

Slow-action contacts

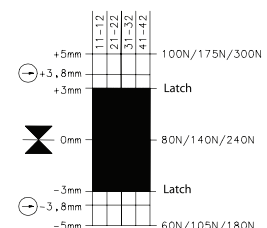
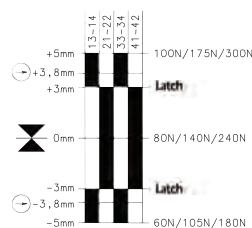


Slow-action contacts



Switching Diagram

■ On  
□ Off



Drawing dimensions in mm

# Mouser Electronics

Authorized Distributor

Click to View Pricing, Inventory, Delivery & Lifecycle Information:

[Altech:](#)

[601.1691.076](#) [601.1691.075](#) [601.1621.065](#) [601.1691.074](#) [601.1621.064](#) [601.1621.066](#)