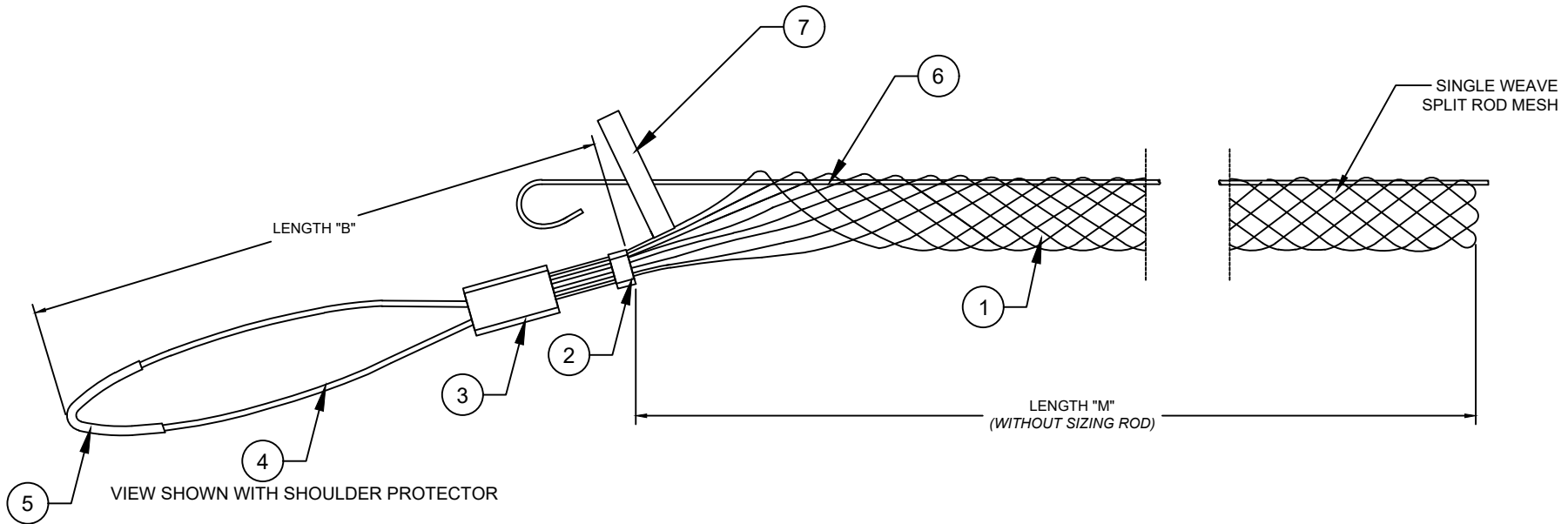


CATALOG NUMBER	MATERIAL NUMBER	CABLE RANGE	LENGTH "M"	LENGTH "B"	ROD LENGTH	ROD DIAMETER REF.	BREAK STRENGTH* (LBS/N)	SHOULDER PROTECTOR	UL LISTED	CSA APPROVED	PRODUCT SELECTION NUMBER
36140	1300950253	.50-.61 / 12.7-15.5	7.00±1.00 / 177.8±25.4	7.00±1.00 / 177.8±25.4	11.00±0.50 / 279.4±12.7	.093 / 2.36	1800 / 8007	Y	NO	YES	SRK050-1
36141	1300950255	.62-.74 / 15.7-18.8	9.00±1.50 / 228.6±38.1	7.00±1.00 / 177.8±25.4	13.00±0.50 / 330.2±12.7	.093 / 2.36	1900 / 8452	E			SRK062-1
36142	1300950256	.75-.99 / 19.1-25.1	11.00±1.50 / 279.4±38.1	7.00±1.00 / 177.8±25.4	15.00±0.50 / 381.0±12.7	.093 / 2.36	3000 / 13345	S			SRK075-1
36143	1300950257	1.00-1.24 / 25.4-31.5	12.00±1.50 / 304.8±38.1	8.00±1.00 / 203.2±25.4	16.00±0.50 / 406.4±12.7	.093 / 2.36	4100 / 18238	NO			SRK100-1
36144	1300950258	1.25-1.49 / 31.8-37.8	14.00±1.50 / 355.6±38.1	8.00±1.00 / 203.2±25.4	19.00±0.50 / 482.6±12.7	.125 / 3.18	5700 / 25355				SRK125-1
36145	1300950259	1.50-1.74 / 38.1-44.2	16.00±2.00 / 406.4±50.8	9.00±1.00 / 228.6±25.4	21.00±1.00 / 533.4±25.4	.125 / 3.18	5800 / 25800				SRK150-1
36146	1300950260	1.75-1.99 / 44.5-50.5	17.00±2.00 / 431.8±50.8	10.00±1.00 / 254.0±25.4	22.00±1.00 / 558.8±25.4	.125 / 3.18	7700 / 34251				SRK175-1
36147	1300950261	2.00-2.49 / 50.8-63.2	20.00±2.00 / 508.0±50.8	10.00±1.00 / 254.0±25.4	25.00±1.00 / 635.0±25.4	.156 / 3.96	9300 / 41368				SRK200-1
36149	1300950263	3.00-3.49 / 76.2-88.6	22.00±2.50 / 558.8±63.5	12.00±1.00 / 304.8±25.4	28.00±1.00 / 711.2±25.4	.156 / 3.96	15100 / 67168				SRK300-1
36150	1300950264	3.50-3.99 / 88.9-101.3	25.00±2.50 / 635.0±63.5	12.00±1.00 / 304.8±25.4	31.00±1.00 / 787.4±25.4	.156 / 3.96	15100 / 67168				SRK350-1

\* TO DETERMINE RECOMMENDED WORKING LOAD, DIVIDE BREAK STRENGTH BY 5.



ITEM	DESCRIPTION	MATERIAL
1	WIRE MESH	GALVANIZED STEEL
2	CRIMP CONNECTOR	ALUMINUM
3	FERRULE	ALUMINUM
4	BALE WIRE	STAINLESS STEEL
5	SHOULDER PROTECTOR	ALUMINUM
6	ROD	STAINLESS STEEL
7	LABEL	MYLAR

FUNCTIONAL SYMBOLS												THIS DRAWING CONTAINS INFORMATION THAT IS PROPRIETARY TO MOLEX ELECTRONIC TECHNOLOGIES, LLC AND SHOULD NOT BE USED WITHOUT WRITTEN PERMISSION											
DIMENSION UNITS				SCALE				CURRENT REV DESC: OBSOLETE PART NUMBER AS PER PCN#510808															
INCH/MM				NTS				GENERAL TOLERANCES (UNLESS SPECIFIED)															
				mm		INCH		EC NO: 736640				<b>PULLING GRIPS</b> <b>MEDIUM DUTY SINGLE WEAVE SPLIT ROD</b>											
4 PLACES		± ----		± ----		DRWN: SUGEEB 2022/12/21																	
3 PLACES		± ----		± 0.005		CHK'D: LIKITV 2023/02/14																	
2 PLACES		± 0.13		± 0.01		APPR: GGA 2023/02/16																	
1 PLACE		± 0.25		± 0.02		INITIAL REVISION:																	
0 PLACES		± ----		± ----		DRWN: HRUIZ01 2014/09/05																	
ANGULAR TOL ± 0.5 °				APPR: JFMURPHY 2016/09/12				DOCUMENT NUMBER				DOC TYPE/DOC PART/REVISION											
DRAFT WHERE APPLICABLE MUST REMAIN WITHIN DIMENSIONS				THIRD ANGLE PROJECTION				DRAWING				SERIES											
								A-SIZE				130095											
								MATERIAL NUMBER				CUSTOMER											
								SEE TABLE				GENERAL MARKET											
												SHEET NUMBER											
												1 OF 1											

DOCUMENT STATUS P1 RELEASE DATE 2023/02/16 05:36:35