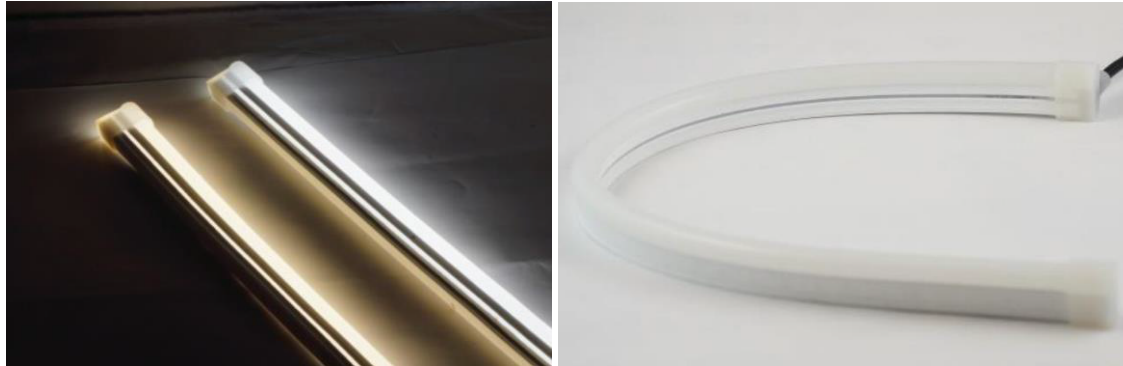




## AB-FF Rope Light Side-Emitting Series

IP68 flexible, side-emitting, diffused rope light in 12V/24V DC - Single color, RGB, and RGBW options.



### Features:

- UL listed (#E353753)
- IP68 waterproof rating
- Top emitting, wide viewing angle 90°
- Environment temperature :-40°C~45°C
- Operating temperature -40°C~85°C
- Storage temperature -40°C~85°C
- Environment humidity 40-70%RH

### Application:

- Conference/meeting rooms
- Hospitals
- Commercial/ residential buildings
- Entertaining lighting
- Hotels





**Part number naming system:**

**AB – FF VVVKK – LLLWL – 8 A 1**

**VVV** – Voltage (volt) of the light strip (012=12V, 024=24V)

**KK** – Color/CCT (27 – 2700K, 30 – 3000K, 40 – 4000K, 50 – 5000K, 63 – 6300K, 65 – 6500K CCT, RD – Red, GN – Green, BL – Blue, AM – Amber, 06 – RGB, 08 – RGBW)

**LLL** – Light strip length (unit: inch);

Length selection of the strip:

	<u>12V</u>	<u>24V</u>
Single Color	Multiple of 25mm	Multiple of 50mm
RGB/RGBW	Multiple of 50mm	Multiple of 100mm

**WL** – Lead length (unit: inch); standard length is 12 inches.

**X** – CRI (8 – 80, 9 – 90, X – not applicable)

**Ax** – Version (Internal Code)

For example, part number below calls out a 5mm ultra slim, side-emitting flexible light with IP68 rating, 24V DC in 3000K CCT, CRI80, 197 inches long with 12 inches wire lead

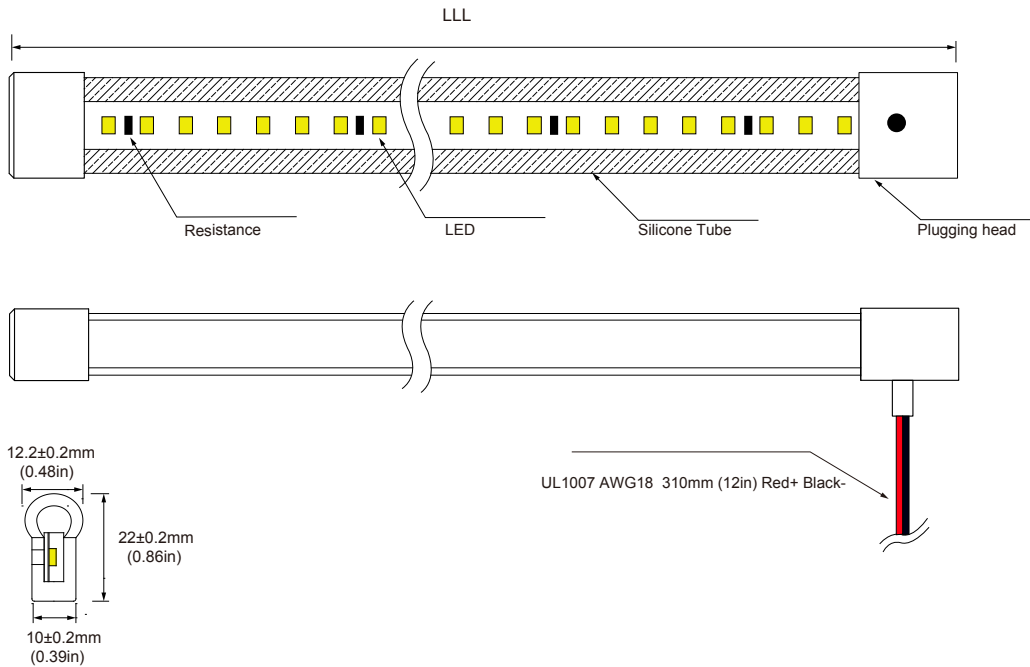
**AB – FF 02430 – 19712 – 8 A 1**



**Outline Dimension:**

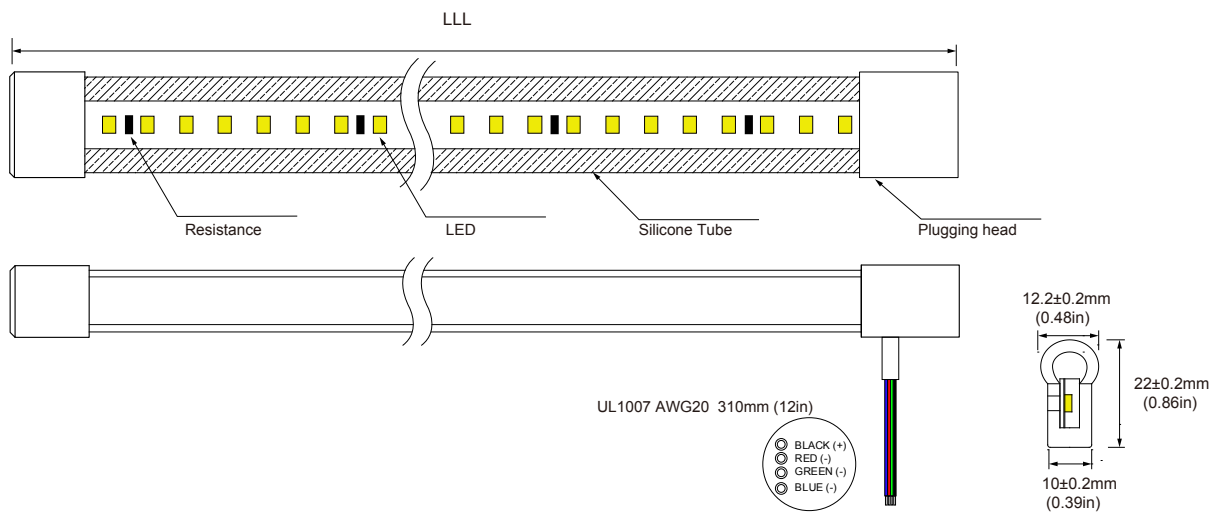
Single Color:

12V/24V DC:



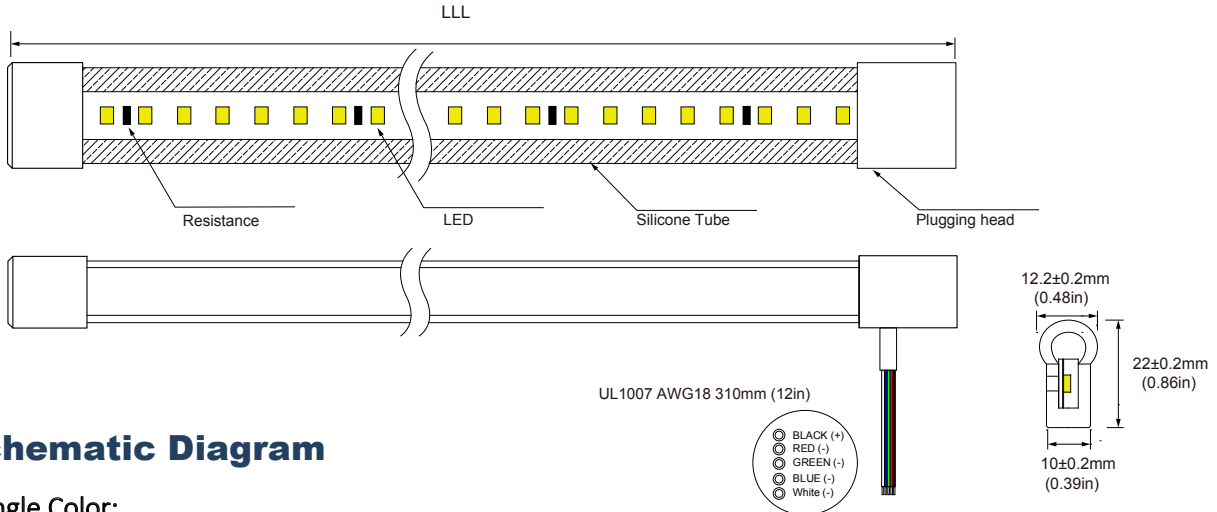
RGB Color:

12V/24V DC:



RGBW Color<sup>1</sup>

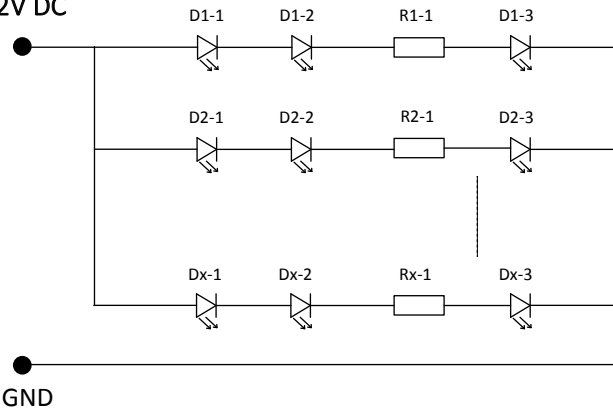
12V/24V DC:



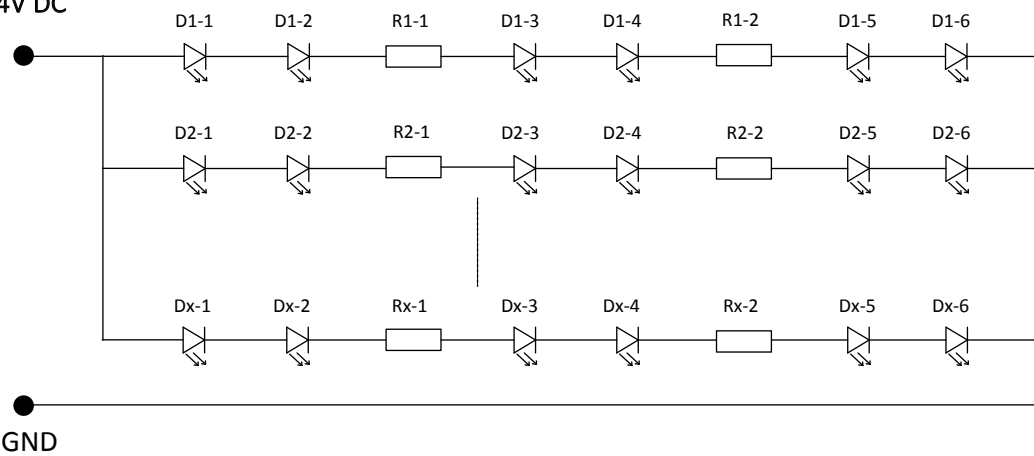
**Schematic Diagram**

Single Color:

12V DC



24V DC



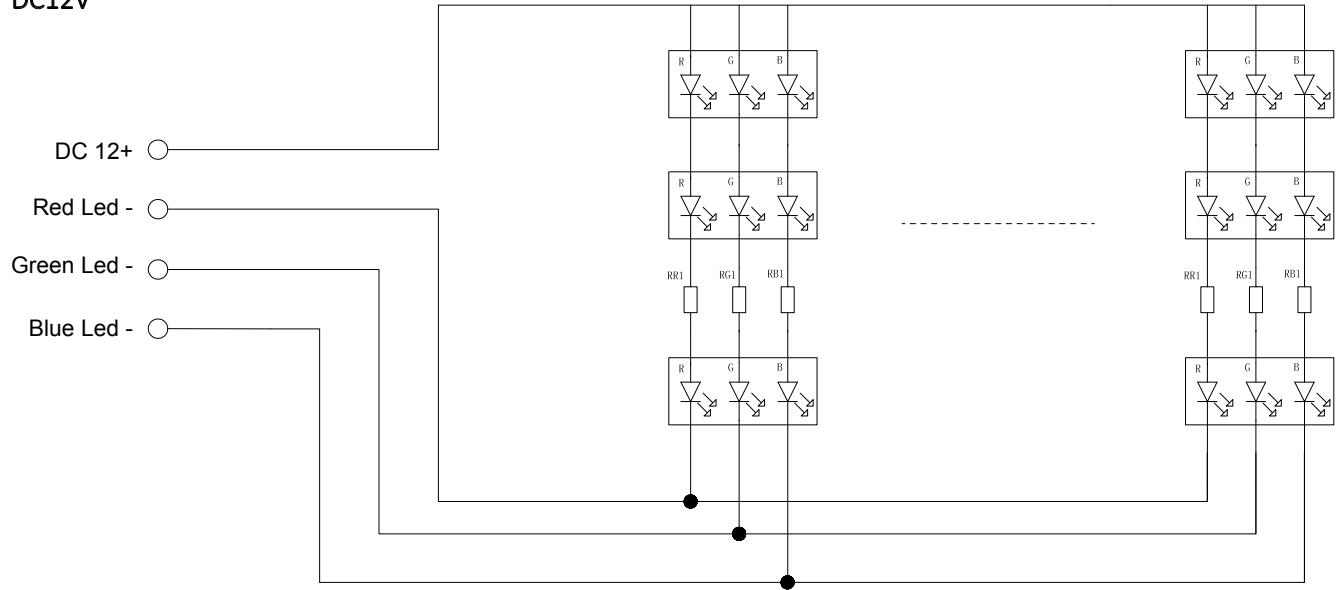
<sup>1</sup> Silicon tube: durometer, shore A 60~65 or equivalent. Color: White

**AB-FF Rope Light Side-Emitting Series**

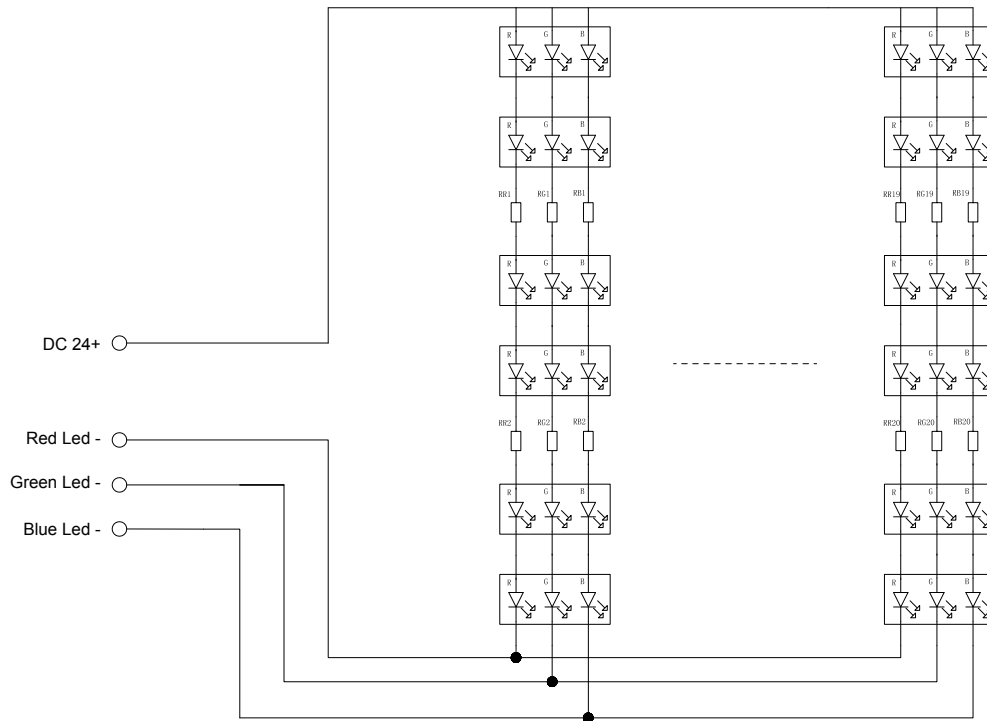


RGB Color:

DC12V

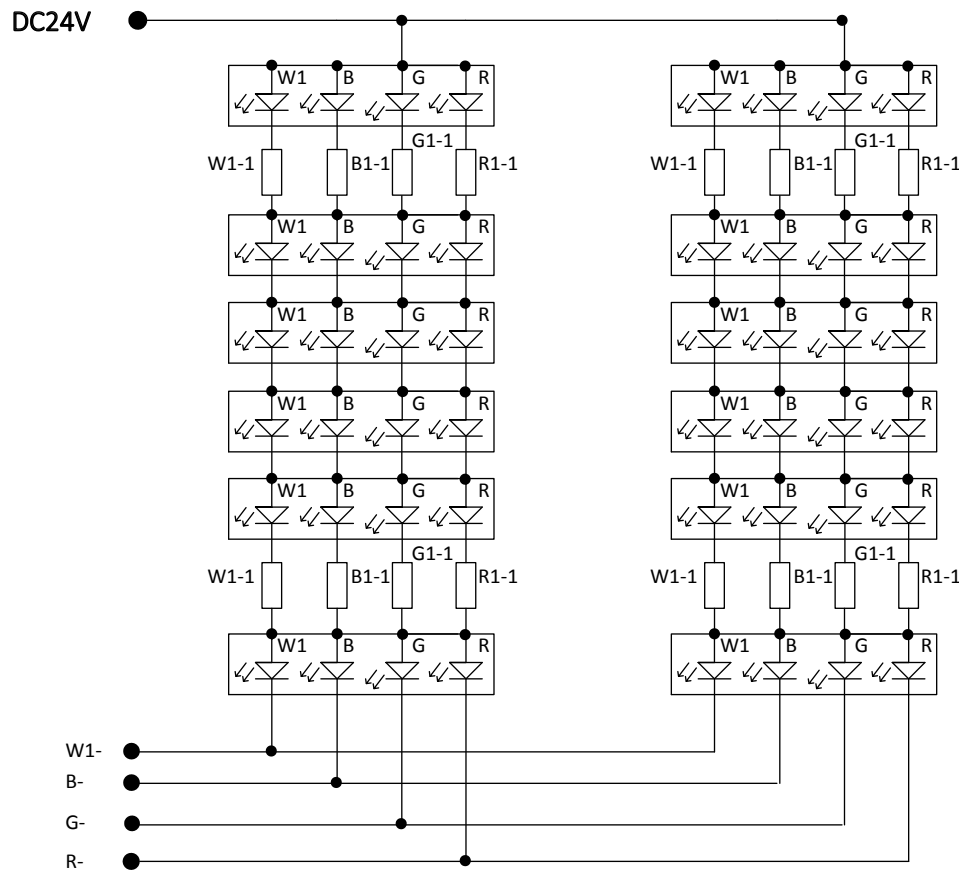
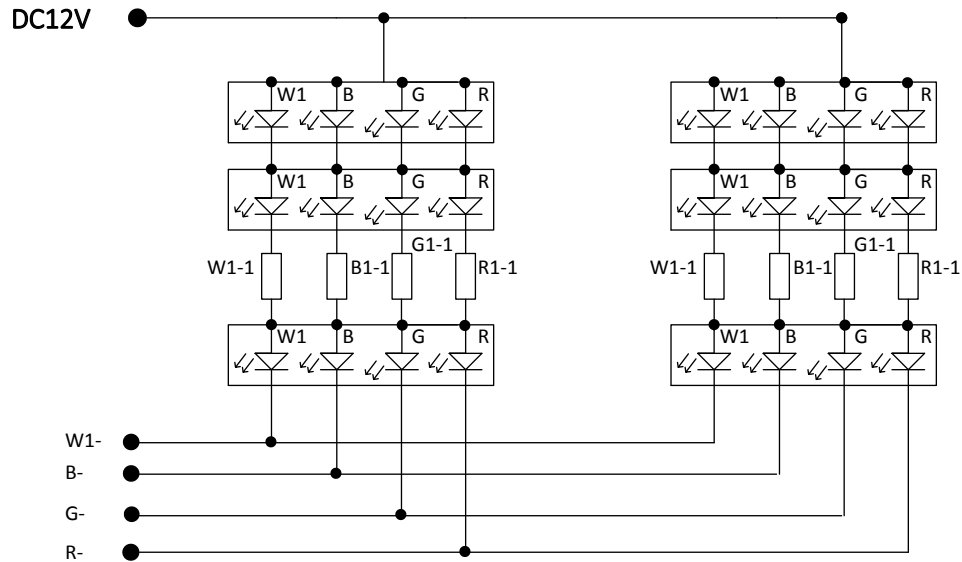


DC24V





RGBW Color:





## Characteristics:

Table 1. Configurations for AB-FF Rope Light Side-Emitting Series.

OPERATING VOLTAGE (V)	CURRENT (A/m)	POWER (W/m)	LENGTH <sup>2</sup> m (inch)	LED COUNT/m
12	White/Green/Blue: 0.83	10	5 (197)	120
	Red/Amber: 0.83	10		
	RGB: 1.3	16		
	RGBW: 1.25	15		
24	White/Green/Blue: 0.43	10	5 (197)	120
	Red/Amber: 0.5	12		
	RGB: 0.65	16		
	RGBW: 0.625	15		

Table 2. Product performance of AB-FF Rope Light Side-Emitting Series at T=25 degree C.

PART NUMBER	CCT/ WAVELENGTH	LUMINOUS FLUX** (lm/m)	LUMINOUS EFFICACY (lm/W)	CRI
AB-FF012KK-19712-8A1 AB-FF024KK-19712-8A1	30:3000-3300K	500	50	>80
	40:3800-4200K	500	50	
	63:6000-6700K	500	50	
	RD: Red 620-625nm	100	10	X
	GR: Green 520-525nm	380	38	X
AB-FF01206-19712-XA1 AB-FF02406-19712-XA1	BL: Blue 440-450nm	80	8	X
	AM: Amber 558-592nm	90	9	X
	RD: Red 620-635nm	--	10	X
	GR: Green 520-525nm	--	38	X
AB-FF01208-19712-8A1 AB-FF02408-19712-8A1	BL: Blue 440-450nm	--	9	X
	RD: Red 620-635nm	--	10	X
	GR: Green 520-525nm	--	38	X
	27:2600-2850K	--	50	>80
	30:2900-3300K			
40:3800-4200K				
50:4700-5300K				
65:6000-7000K				

<sup>2</sup> Standard unit length: 5m or 10m/roll, for custom length, please contact [aboc@americanbrightled.com](mailto:aboc@americanbrightled.com).

<sup>3</sup> Luminous flux ±10% is allowed.

<sup>4</sup> KK - Color/CCT (30 – 3000K, 40 – 4000K, 63 – 6300K CCT, 06 – RGB, 08 – RGBW)

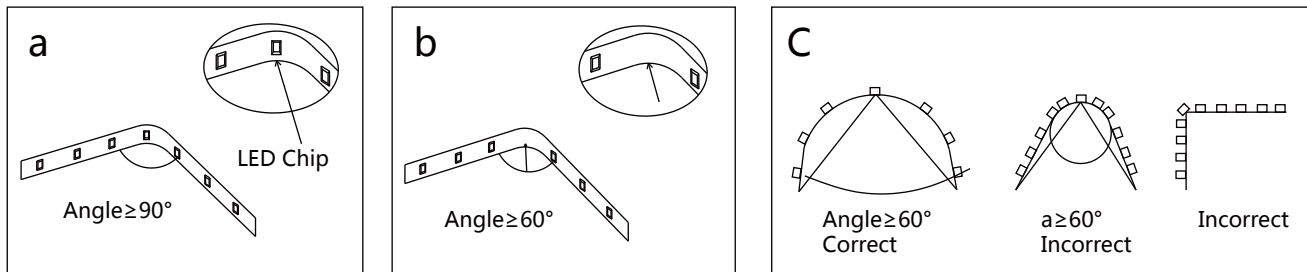
<sup>5</sup> Please advise the color temperature when ordering.

## AB-FF Rope Light Side-Emitting Series

## Optional Mounting Accessories:

Please refer to spec “[Accessories For Flexible Light.](#)”

## Installation Instructions:

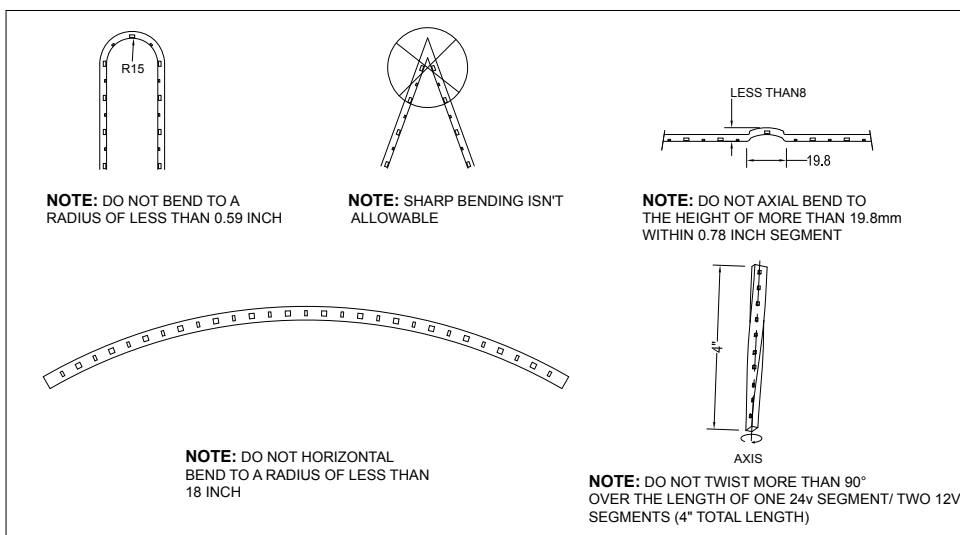


a: use an angle greater or equal to 90 degrees when there is an LED chip on the corner while placing the strip in a concave position (Angle ≥ 90 degree)

b: use an angle greater or equal to 60 degrees when there is an LED chip on the corner while placing the strip in a concave position (Angle ≥ 60 degree)

c: use an angle greater or equal to 60 degrees when there is an LED chip on the corner while placing the strip in a concave position (Angle ≥ 60 degree) In the convex position the angle should not reach 90 degrees. See above diagram.

## Maximum flexibility precaution:







**Packaging:**

Table 3. Packaging information

Model	QTY <sup>6</sup>	Image
AB-FA series AB-FC series AB-FD series	1 roll/per ESD bag 10 bags/carton	
AB-FB series AB-FF series AB-FH series	1 roll/per tray 10 trays/carton	

<sup>6</sup> Standard unit length: 5m or 10m/roll, 1 roll/bag. QTY/bag varies per different unit lengths.

**AB-FF Rope Light Side-Emitting Series**