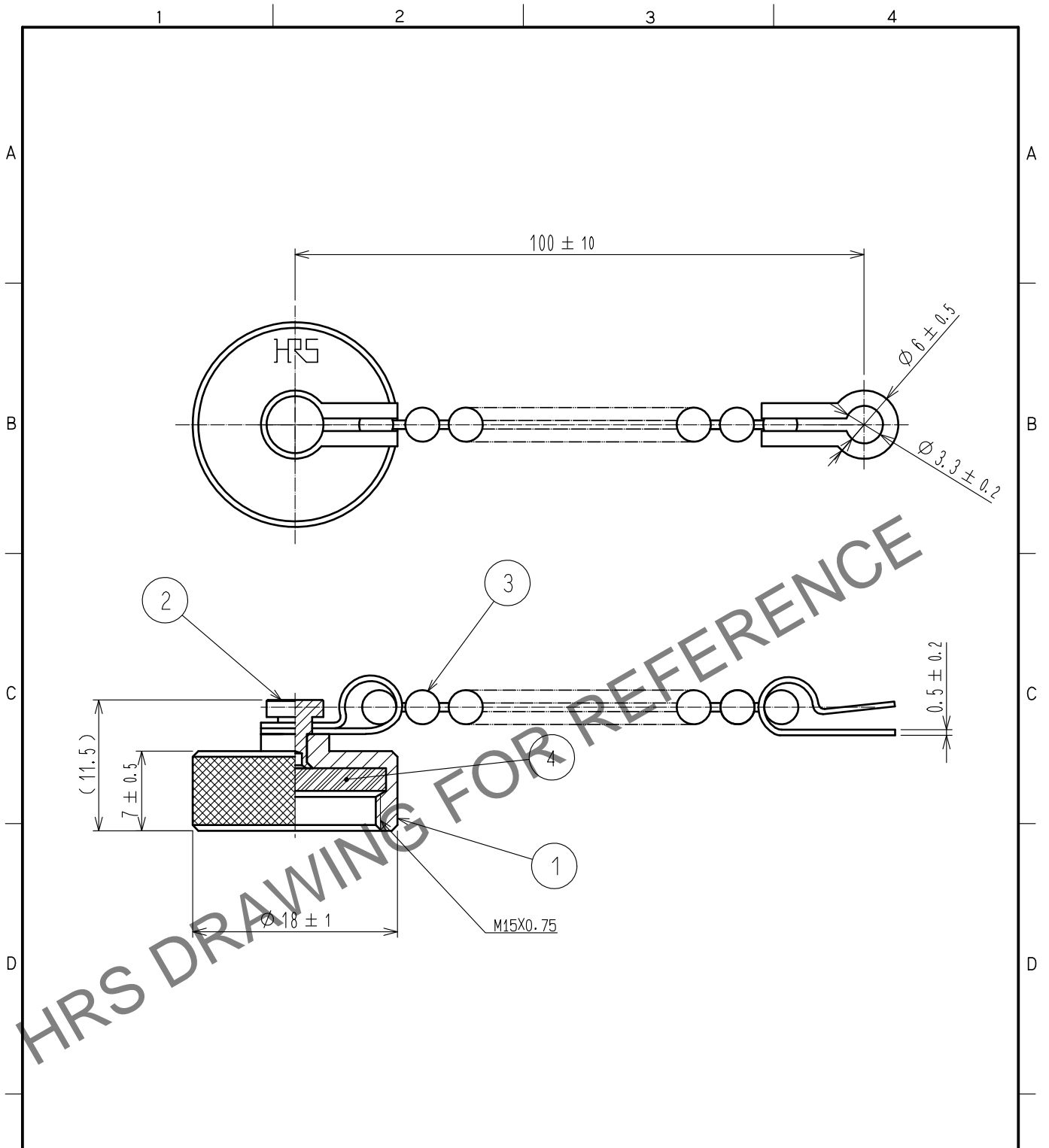


Jun.1.2024 Copyright 2024 HIROSE ELECTRIC CO., LTD. All Rights Reserved.
 In case of consideration for using Automotive equipment / device which demand high reliability, kindly contact our sales window correspondents.



NOTE 1. THIS PRODUCT IS A CAP FOR HR22-12WRTR※-※(※). AND IT IS APPLICABLE REGARDLESS OF GIVEN ALPHABETS AND/OR NUMBERS SHOWN AT ※.

2	Brass	Nickel plating	4	Chloroprene rubber	(Black)		
1	Brass	Nickel plating	3	Brass	Nickel plating		
NO.	MATERIAL	FINISH . REMARKS	NO.	MATERIAL	FINISH . REMARKS		
UNITS mm		SCALE 2 : 1	COUNT 	DESCRIPTION OF REVISIONS	DESIGNED	CHECKED	DATE
HIROSE ELECTRIC CO., LTD.		APPROVED	HY. KOBAYASHI	18.02.22	DRAWING NO. EDC-110521-31-00		
		CHECKED	HY. KOBAYASHI	18.02.22	PART NO. HR22-12WTR-C(31)		
		DESIGNED	HY. KISHI	18.02.21	CODE NO. CL122-0029-8-31		
		DRAWN	MK. INOUE	18.02.06	1/1		