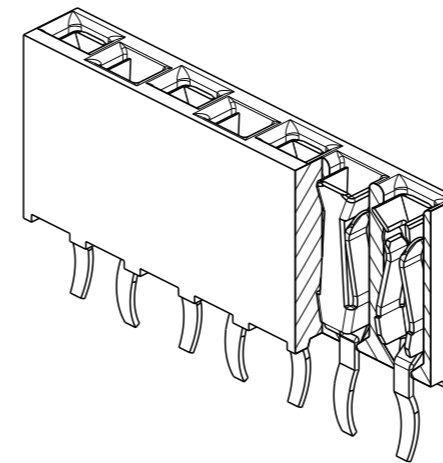
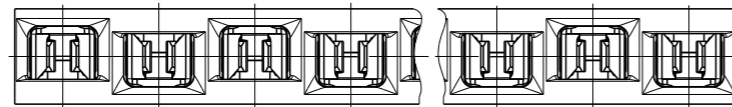
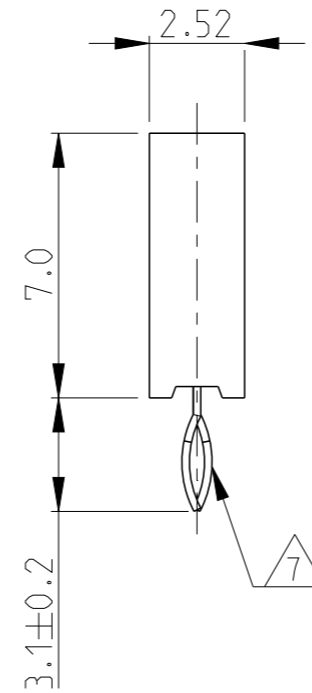
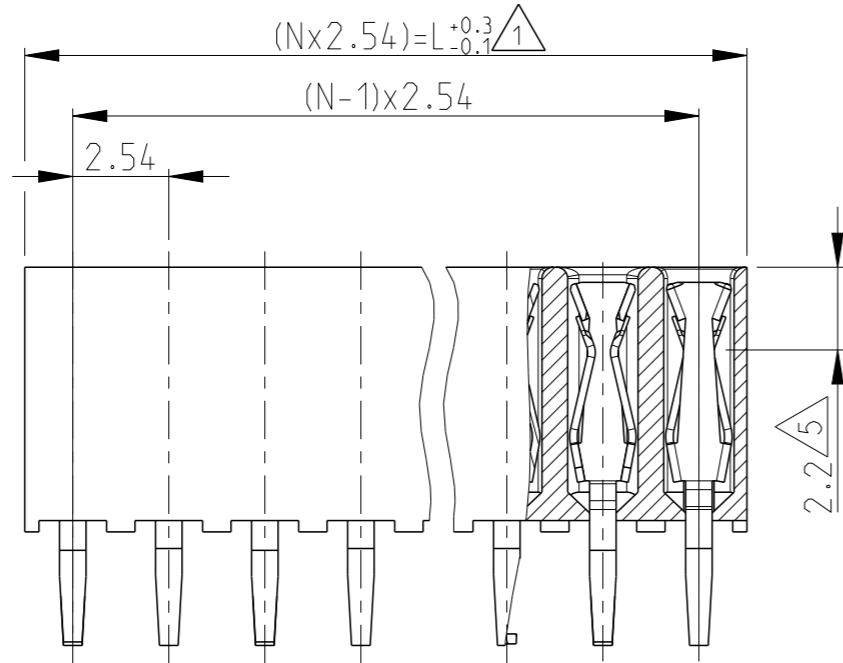


© 2019 TE Connectivity. All Rights Reserved.

REVISIONS

POS.	L	PART-NO. ASSEMBLY
4	10.16	5-966444-4
6	15.24	5-966444-6
10	25.40	6-966444-0

P	LTR	DESCRIPTION	DATE	DWN	APVD
	D	PLASTIC MATERIAL SUPPLIER CHANGE	20MAR2019	SS	PS
	E	PLASTIC MATERIAL COLOR CHANGE	16MAR2023	AJK	SPS

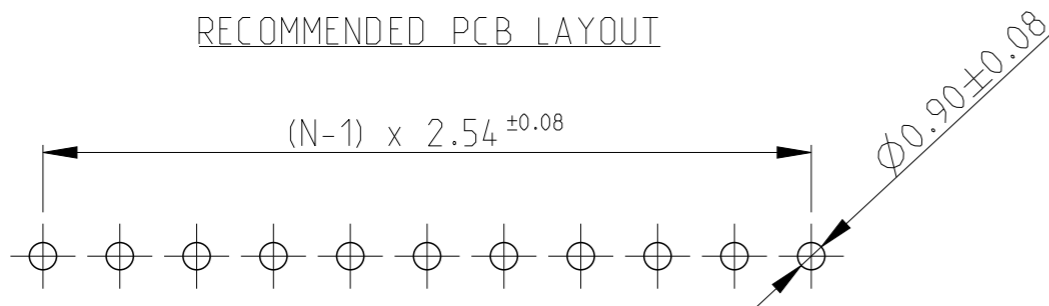


4:1


NOTES:

- 1 TO DETERMINE DIMENSIONS TAKE N = NR. OF POS.
FOR EXAMPLE: 10 POS; N x 2.54 = 25.4mm
FOR ORDER NO: USE BASIC - NR. + NR. OF POS.
FOR EXAMPLE: 4POS. = 5-966444-4 (SHORTEST VERSION)
10POS. = 6-966444-0 (LONGEST VERSION)
- 2 HOUSING MATERIAL: PBT BLACK GLASS FILLED, UL 94V-0
CONTACT MATERIAL: PHOSPHOR BRONZE
- 3 FINISH: TRIBOR®
UNDERPLATING: 2.0-4.0 μm Ni-P(NICKEL-PHOSPHOROUS)
CONTACT AREA: 0.12-0.27 μm Au(GOLD)
SOLDER TYNES: 3.0-5.0 μm Sn(MATTE TIN)
- 4 MATES WITH 0.63 SQUARE/ROUND MODU POSTS
- 5 CONTACT POINT
- 6 RECOMMENDED PCB BOARD THICKNESS: 1.6mm
- 7 PC-BOARD RETENTION FEATURE
- 8 HV100 CONNECTOR PACKED IN ANTI-STATIC BLISTER TRAY
- 9. PERMEABILITY μ_R ≤ 1.0005

RECOMMENDED PCB LAYOUT



FOR MISSING DIMENSIONS SEE PN 215297

THIS DRAWING IS A CONTROLLED DOCUMENT.		DWN F.REICHARDT 17FEB1994	 TE Connectivity		
DIMENSIONS: mm		CHK M.SCHAARSCHMIDT 25DEC2013			
TOLERANCES UNLESS OTHERWISE SPECIFIED: ±0.15		APVD -	NAME HV100 CONNECTOR ; VERTICAL ; 7.0mm TOP ENTRY; SINGLE ROW ; GOLD, NON MAGNETIC		
0 PLC ± 1 PLC ± 2 PLC ± 3 PLC ± 4 PLC ± ANGLES ±		PRODUCT SPEC 108-19056	SIZE A3	CAGE CODE 00779	DRAWING NO C=966444
MATERIAL 2		FINISH 3	APPLICATION SPEC -	RESTRICTED TO	
		WEIGHT -	SCALE 5:1		SHEET 1 OF 1
		CUSTOMER DRAWING		REV E	