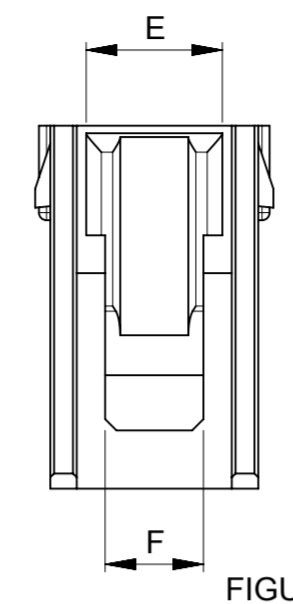
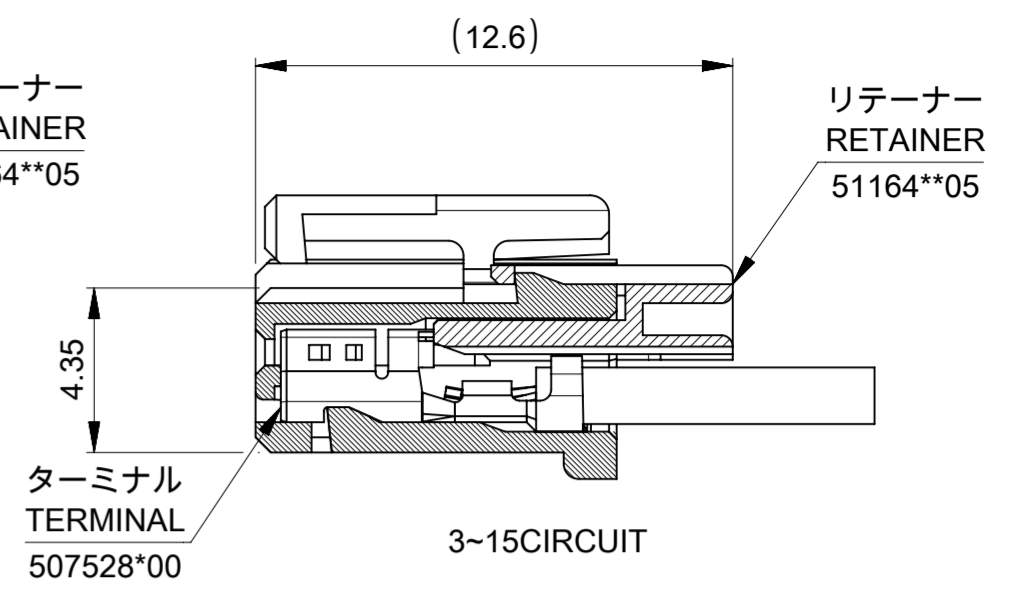
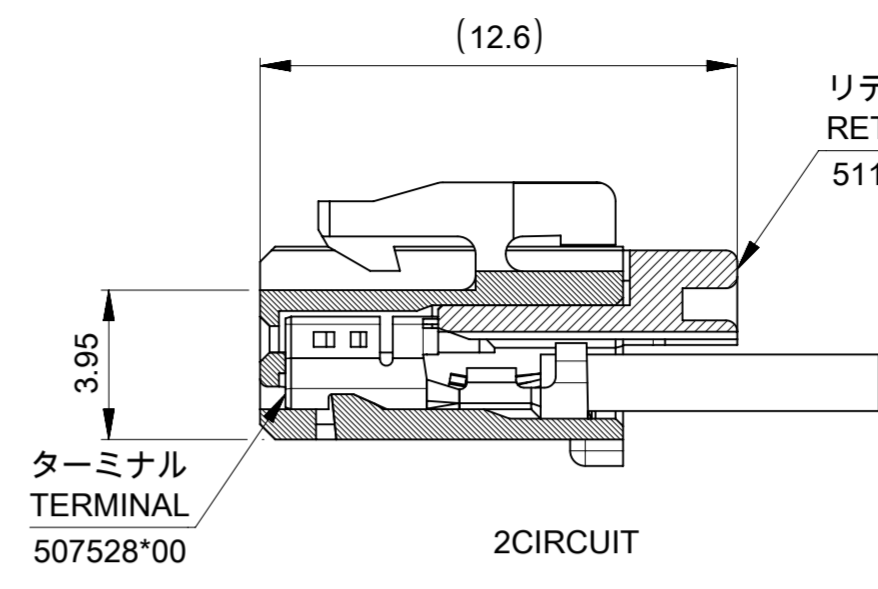


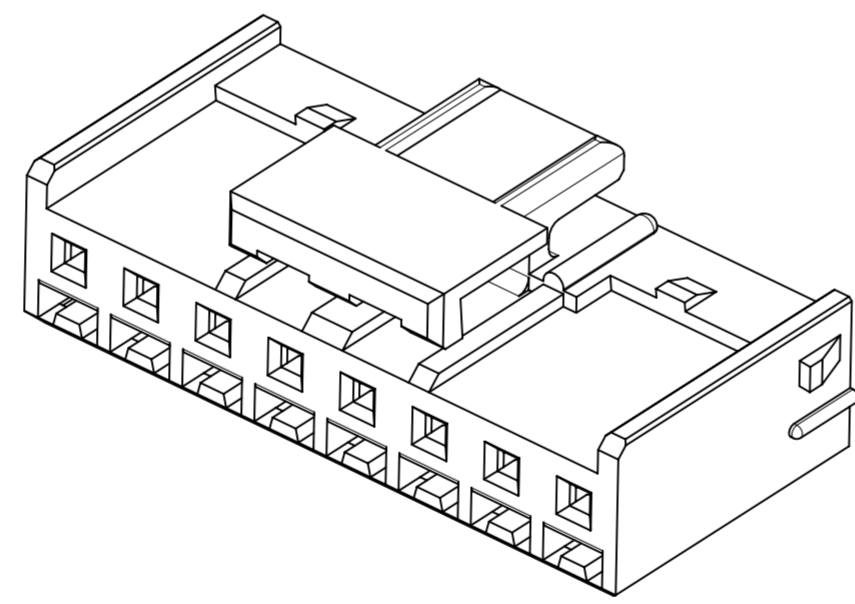
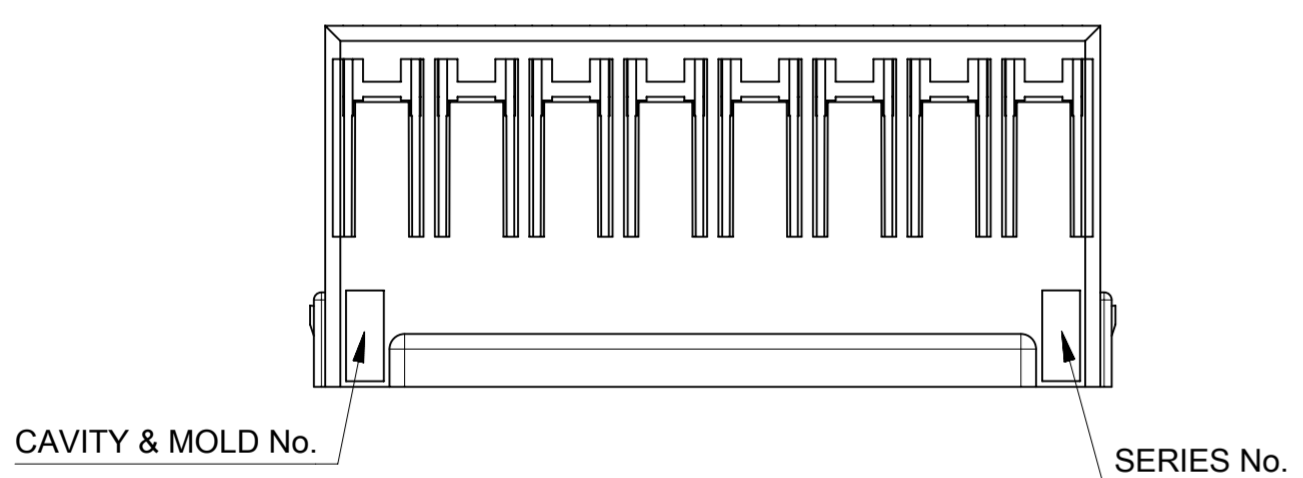
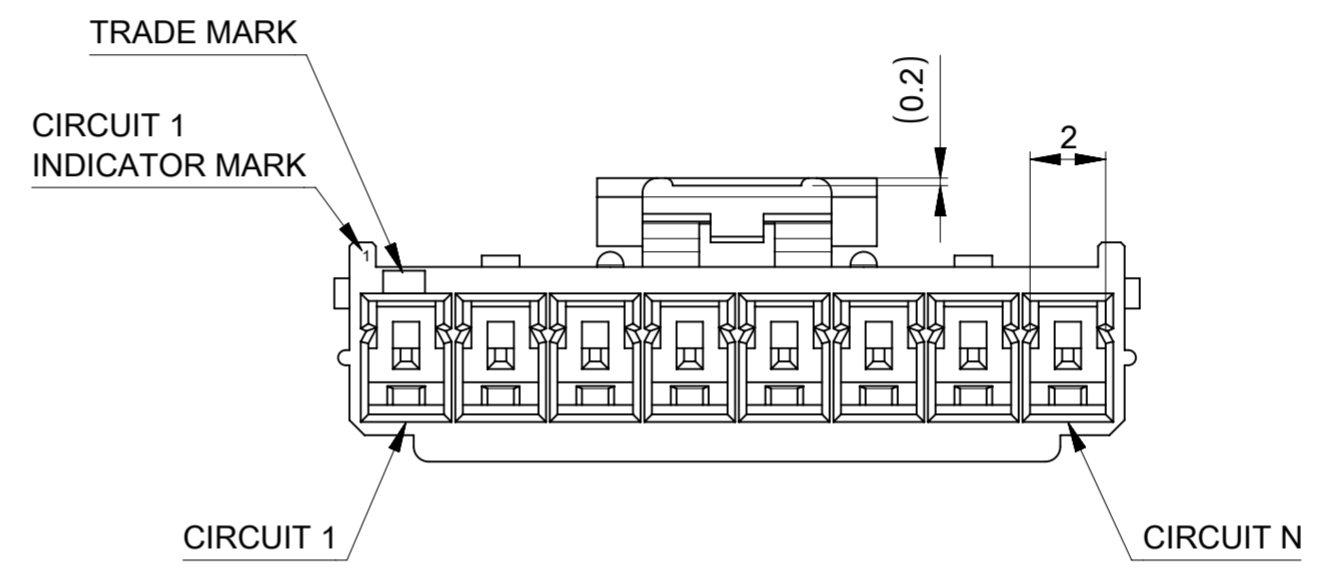
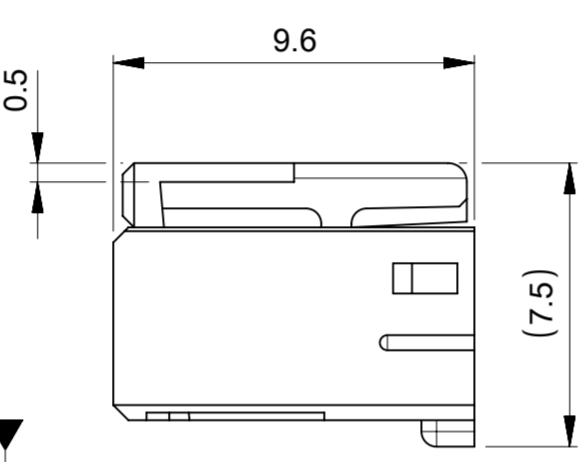
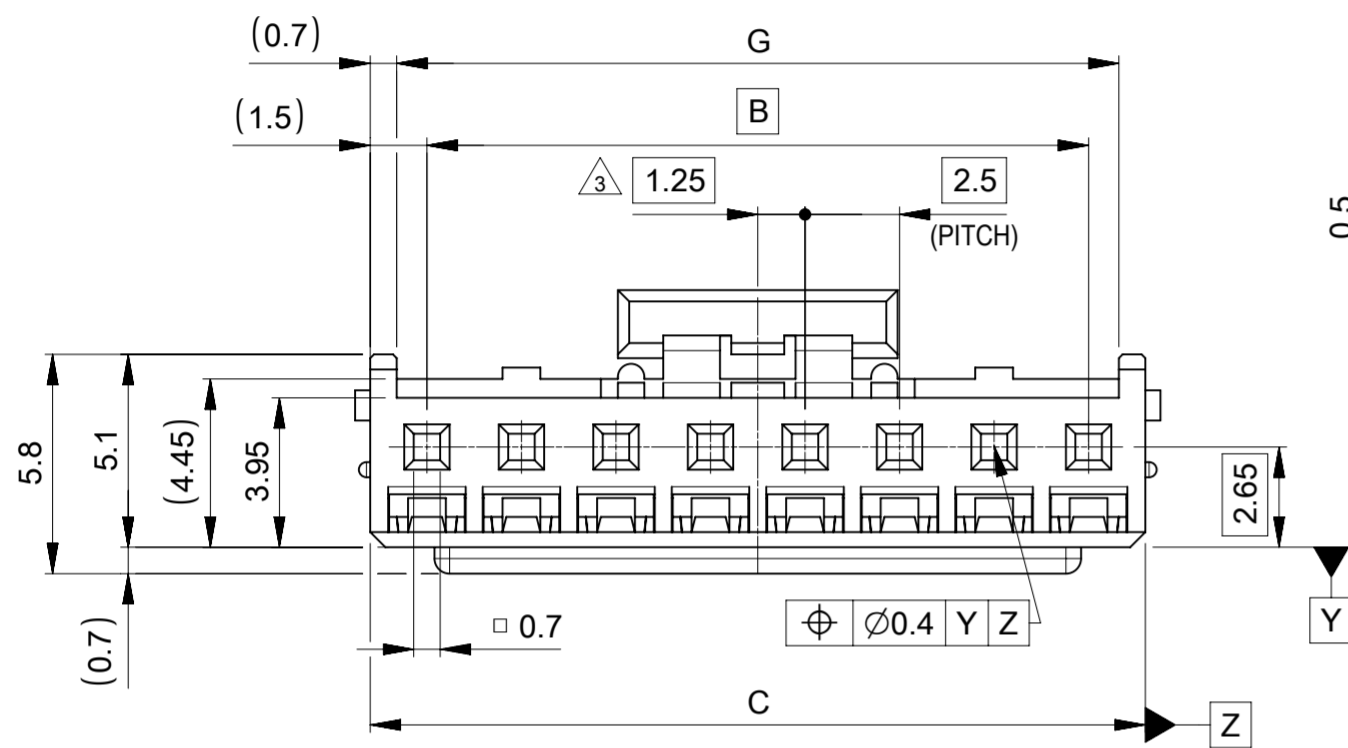
2極ロック形状  
2CIRCUIT LOCK FORM



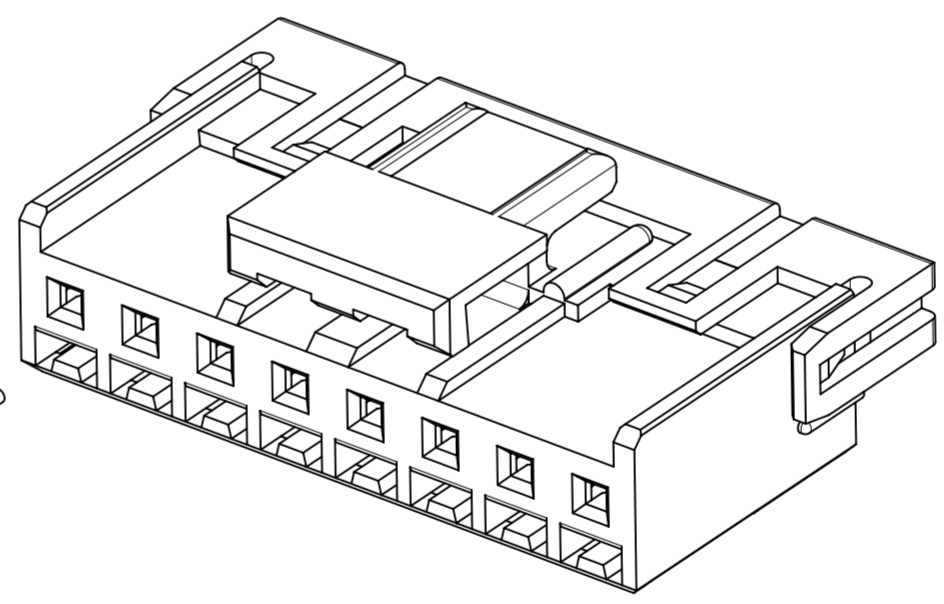
2極形状  
FIGURE OF 2 CIRCUIT



ターミナル及びリテーナー装着状態図  
TERMINAL AND RETAINER ASSEMBLY DRAWING



リテーナー未装着状態図  
ASSEMBLY DRAWING



リテーナー装着状態図  
RETAINER ASSEMBLY DRAWING

|      |     |     |      |      |      |      |                   |                    |
|------|-----|-----|------|------|------|------|-------------------|--------------------|
| 36.6 | 7.4 | 5   | 12.5 | 38   | 35   | 38.8 | 5116315**         | 15                 |
| 34.1 | 7.4 | 5   | 12.5 | 35.5 | 32.5 | 36.3 | 5116314**         | 14                 |
| 31.6 | 7.4 | 5   | 12.5 | 33   | 30   | 33.8 | 5116313**         | 13                 |
| 29.1 | 7.4 | 5   | 12.5 | 30.5 | 27.5 | 31.3 | 5116312**         | 12                 |
| 26.6 | 7.4 | 5   | 12.5 | 28   | 25   | 28.8 | 5116311**         | 11                 |
| 24.1 | 7.4 | 5   | 12.5 | 25.5 | 22.5 | 26.3 | 5116310**         | 10                 |
| 21.6 | 7.4 | 5   | 12.5 | 23   | 20   | 23.8 | 5116309**         | 9                  |
| 19.1 | 7.4 | 5   | 12.5 | 20.5 | 17.5 | 21.3 | 5116308**         | 8                  |
| 16.6 | 7.4 | 5   | -    | 18   | 15   | 18.8 | 5116307**         | 7                  |
| 14.1 | 7.4 | 5   | -    | 15.5 | 12.5 | 16.3 | 5116306**         | 6                  |
| 11.6 | 7.4 | 5   | -    | 13   | 10   | 13.8 | 5116305**         | 5                  |
| 9.1  | 7.4 | 5   | -    | 10.5 | 7.5  | 11.3 | 5116304**         | 4                  |
| 6.6  | 5   | 3   | -    | 8    | 5    | 8.8  | 5116303**         | 3                  |
| 4.1  | 2.6 | 3.6 | -    | 5.5  | 2.5  | 6.3  | 5116302**         | 2                  |
| G    | F   | E   | D    | C    | B    | (A)  | 発注番号<br>ORDER No. | 極数<br>CIRCUIT SIZE |

- NOTE
- △ 材料：TABLE1参照  
MATERIAL:SEE TABLE1
  - △ 適合ハウジング, 嵌合相手, 関連ドキュメントについてはSHEET 2 を御参照ください。  
PLEASE REFER TO SHEET 2 FOR APPLICABLE HOUSING, MATING PARTNER AND RELATED DOCUMENTS.
  - △ 偶数極に適用  
APPLY FOR EVEN CIRCUIT.
  - 4. 本製品のプラスチック部に黒点等が確認される場合や、色合いが異なる場合が御座いますが、製品性能に影響は御座いません  
THERE IS NO INFLUENCE IN THE PRODUCT PERFORMANCE IN CASE THAT THE BLACK SPOT OR BUBBLE ETC. MIGHT BE APPEARED ON THE PLASTIC PART OF THIS PRODUCT AND THE COLOR SHADE MIGHT BE DIFFERENT.
  - 5. GLOW WIRE TEST適合品  
THIS PRODUCT IS GLOW WIRE TEST COMPATIBLE.

△ TABLE1

| 部品<br>PART       | 材質<br>MATERIAL  |
|------------------|---|
| ハウジング<br>HOUSING | 51163**00 ポリエステル(PBT):ガラス非含有,UL94V-0,色:ナチュラル(白)<br>POLYESTER(PBT):GLASS UNFILLED,UL94V-0,COLOR:NATURAL(WHITE) |
|                  | 51163**41 ポリアミド(PA):ガラス非含有,UL94V-0,色:黒<br>POLYAMIDE(PA):GLASS UNFILLED,UL94V-0,COLOR:BLACK                    |
| DOCUMENT STATUS  | P1  |
| RELEASE DATE     | 2023/05/15 02:57:18   |

THIS DRAWING CONTAINS INFORMATION THAT IS PROPRIETARY TO MOLEX ELECTRONIC TECHNOLOGIES, LLC AND SHOULD NOT BE USED WITHOUT WRITTEN PERMISSION

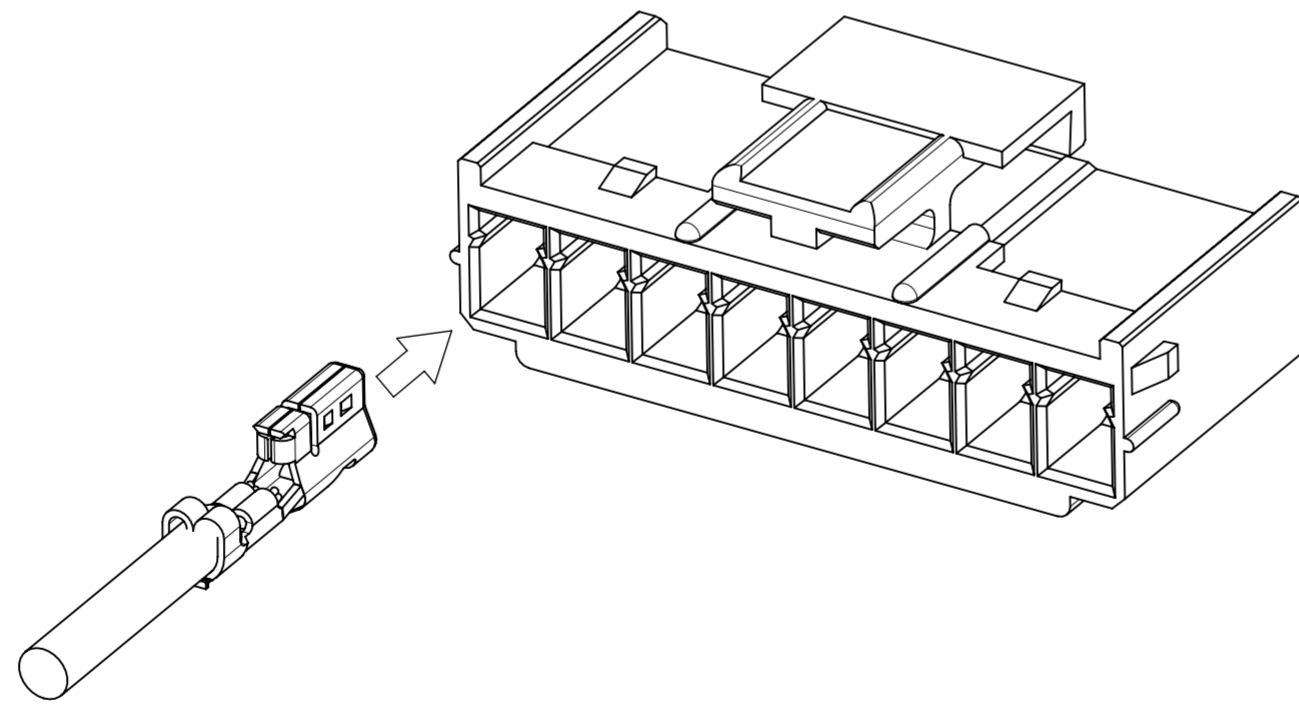
|  |                        |                            |                          |                 |                     |   |
|--|------------------------|----------------------------|--------------------------|-----------------|---------------------|---|
| DIMENSION UNITS<br>mm                                      | SCALE<br>NTS           | CURRENT REV DESC:          | <b>molex</b>             |                 |                     |   |
| GENERAL TOLERANCES (UNLESS SPECIFIED)                      |                        | EC NO: 652870              |                          |                 |                     | MINI-LOCK 2.5<br>SINGLE ROW RECEPTACLE HOUSING WITH<br>RETAINER |
| ANGULAR TOL ± 3.0°   | 4 PLACES ± 0.2         | DRWN: MIKEDA01 2023/03/27  | PRODUCT CUSTOMER DRAWING |                 |                     |   |
| 3 PLACES ± 0.2   | 2 PLACES ± 0.2         | CHK'D: SAKIYAMA 2023/05/11 | DOCUMENT NUMBER          | DOC TYPE        | DOC PART            | REVISION  |
| 1 PLACE ± 0.2  | 0 PLACES ± 0.2         | APPR: AIDA 2023/05/15      | 51163000-SD              | PSD             | 000                 | B   |
| DRAFT WHERE APPLICABLE<br>MUST REMAIN<br>WITHIN DIMENSIONS | THIRD ANGLE PROJECTION | DRAWING<br>A2-SIZE         | SERIES<br>51163          | MATERIAL NUMBER | CUSTOMER<br>GENERAL | SHEET NUMBER<br>1 OF 2  |

△ 適合製品及び各種仕様書  
**APPLICABLE PRODUCT AND VARIOUS SPECIFICATIONS**

|                                  |             |              |                      |  |
|----------------------------------|-------------|--------------|----------------------|--|
| 梱包仕様書<br>PACKAGING SPECIFICATION | PART NUMBER |              | SPECIFICATION NUMBER |  |
|                                  | 51163**0*   |              | 511639200-SPK 200    |  |
| 適合端子<br>APPLICABLE TERMINAL      | PART NUMBER | PLATING TYPE | WIRE SIZE(AWG)       |  |
|                                  | 507528200   | TIN          | #20-#22              |  |
|                                  | 507528400   | TIN          | #24-#26              |  |

|                                    |                      |                        |             |               |             |
|------------------------------------|----------------------|------------------------|-------------|---------------|-------------|
| 適合リテーナー<br>APPLICABLE RETAINER     | 51164                |                        |             |               |             |
| シリーズ番号 SERIES No.                  |                      |                        |             |               |             |
| 適合嵌合相手<br>MATE WITH                | THROUGH HOLE         |                        |             | SURFACE MOUNT |             |
|                                    | VERTICAL             | VERTICAL (FOR POTTING) | RIGHT ANGLE | VERTICAL      | RIGHT ANGLE |
|                                    | TIN PLATING          |                        | TIN PLATING | TIN PLATING   | TIN PLATING |
|                                    | 53375<br>53476       | 53517                  | 53426       | 215931        | 215932      |
| 製品仕様書<br>PRODUCT SPECIFICATION     | 511630000-PS PS 000  |                        |             |               |             |
| 取扱説明書<br>APPLICATION SPECIFICATION | 2166940000-AS PS 000 |                        |             |               |             |

製品嵌合図は各"適合嵌合相手"図面参照のこと  
 MATING VIEW : REFER TO EACH "MATE WITH" PART DRAWING.



圧着ケーブル挿入方向  
 HARNESS ASSY INSERTION DIRECTION

| 黒<br>BLACK          | ナチュラル(白)<br>NATURAL(WHITE) | ハウジング色<br>HOUSING COLOR |
|---------------------|----------------------------|-------------------------|
| PA GF0,<br>UL94 V-0 | PBT GF0,<br>UL94 V-0       | 樹脂種<br>RESIN TYPE       |
| 511631541           | 511631500                  | 15                      |
| 511631441           | 511631400                  | 14                      |
| 511631341           | 511631300                  | 13                      |
| 511631241           | 511631200                  | 12                      |
| 511631141           | 511631100                  | 11                      |
| 511631041           | 511631000                  | 10                      |
| 511630941           | 511630900                  | 9                       |
| 511630841           | 511630800                  | 8                       |
| 511630741           | 511630700                  | 7                       |
| 511630641           | 511630600                  | 6                       |
| 511630541           | 511630500                  | 5                       |
| 511630441           | 511630400                  | 4                       |
| 511630341           | 511630300                  | 3                       |
| 511630241           | 511630200                  | 2                       |
| 発注番号<br>ORDER NO.   |                            | 極数<br>CIRCUIT SIZE      |

THIS DRAWING CONTAINS INFORMATION THAT IS PROPRIETARY TO MOLEX ELECTRONIC TECHNOLOGIES, LLC AND SHOULD NOT BE USED WITHOUT WRITTEN PERMISSION

|  |                     |                   |            |                          |          |          |
|--|---------------------|-------------------|------------|--------------------------|----------|----------|
| DIMENSION UNITS<br><b>mm</b>                         | SCALE<br><b>NTS</b> | CURRENT REV DESC: |            | <b>molex</b>             |          |          |
| GENERAL TOLERANCES (UNLESS SPECIFIED)                |                     | EC NO: 652870     |            |                          |          |          |
| ANGULAR TOL ± 3.0°                                   | 4 PLACES ± 0.2      | DRWN: MIKEDA01    | 2023/03/27 | PRODUCT CUSTOMER DRAWING |          |          |
| 3 PLACES ± 0.2                                       | 2 PLACES ± 0.2      | CHK'D: SAKIYAMA   | 2023/05/11 | DOCUMENT NUMBER          |          |          |
| 1 PLACE ± 0.2  | 0 PLACES ± 0.2      | APPR: AIDA        | 2023/05/15 | 511630000-SD             |          |          |
| DRAFT WHERE APPLICABLE MUST REMAIN WITHIN DIMENSIONS |                     | INITIAL REVISION: |            | DOC TYPE                 | DOC PART | REVISION |
| THIRD ANGLE PROJECTION                               |                     | DRWN: RWATANABE01 | 2019/04/22 | PSD                      | 000      | B        |
| DRAWING  |                     | APPR: SAKIYAMA    | 2020/09/28 | SHEET NUMBER             |          |          |
| A2-SIZE  |                     | SERIES            |            | GENERAL                  |          |          |
| 51163  |                     | MATERIAL NUMBER   |            | 2 OF 2                   |          |          |
| CUSTOMER   |                     | GENERAL           |            |                          |          |          |