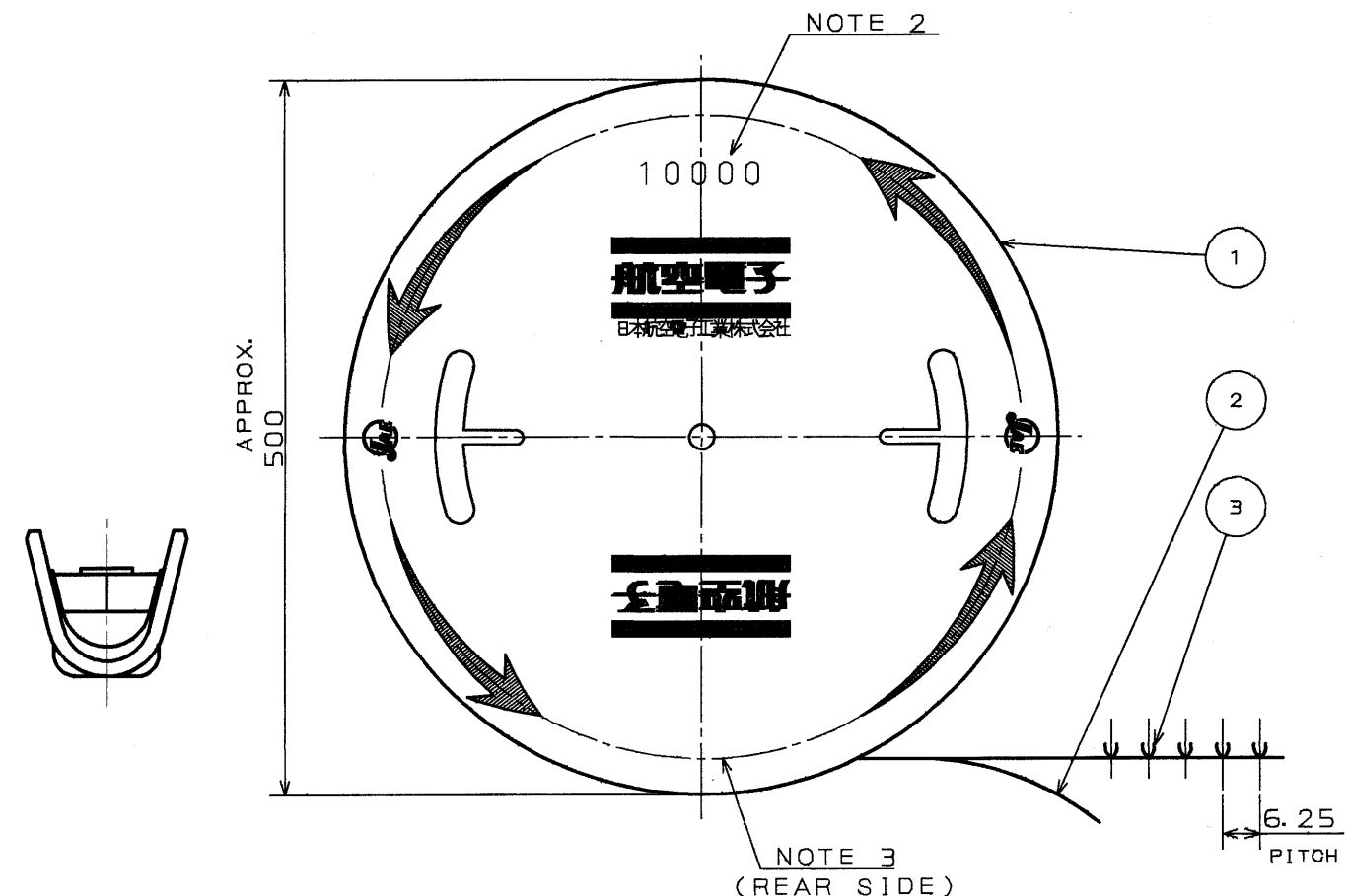
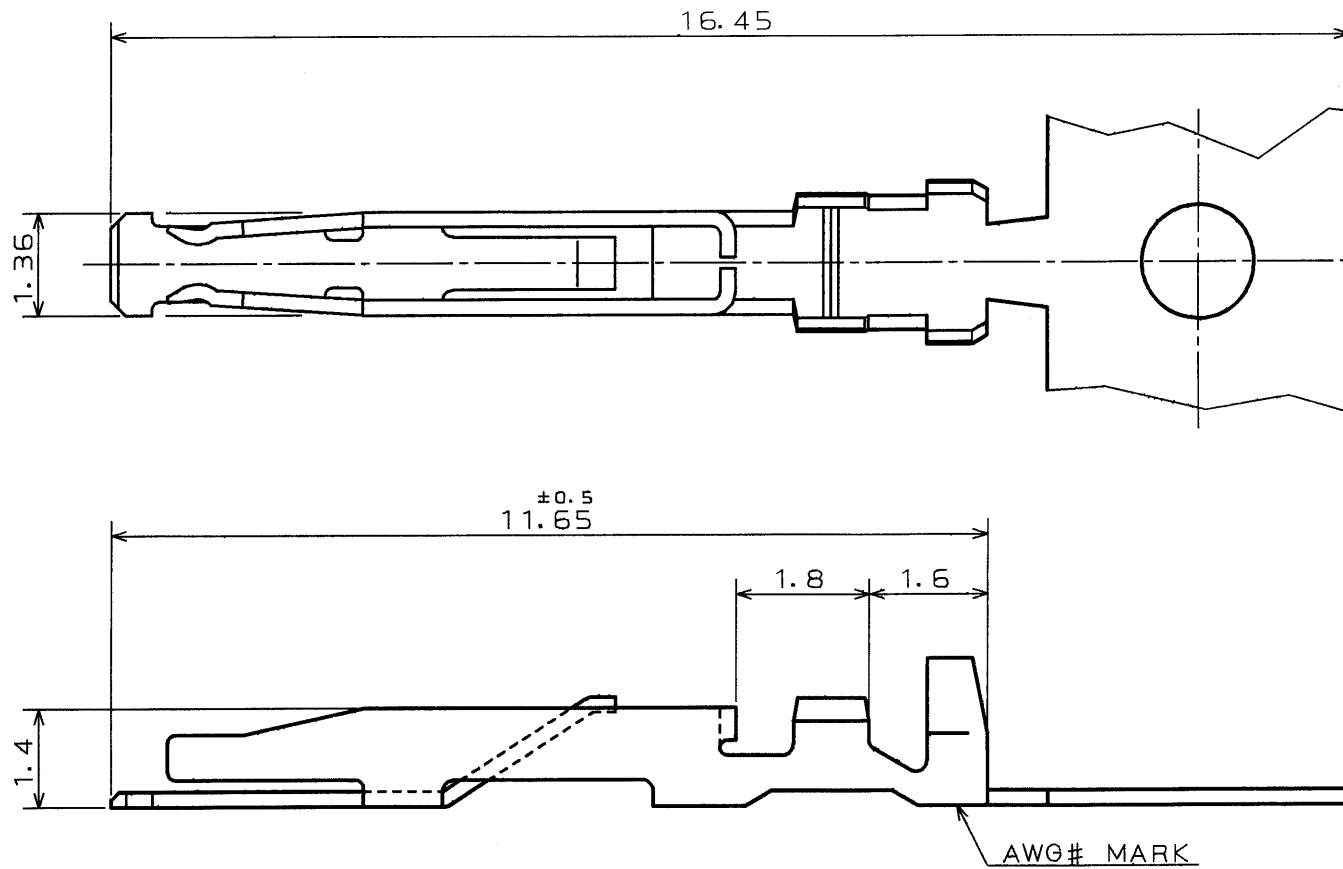


SJ021508-E

DWG. NO.

SYM	DCN NO.	DESCRIPTION	DATE	DRAWN	CHECKED	APP' D	APP' D



DESCRIPTION	APPLICABLE WIRE		AWG# MARK
	WIRE SIZE	OUTER DIA. OF INSUL.	
D02-22-22S-10000	AWG#22~24	1.3 ^{DIA.} MAX.	22
D02-22-26S-10000	AWG#26~28	1.1 ^{DIA.} MAX.	26

NOTE 1. CONTACT TO BE SUPPLIED IN REELED FORM.
(10,000 CONTACT/REEL)

2. NUMBER OF CONTACTS TO BE SHOWN ON THIS PORTION.

3. LABEL SHOWING PART NUMBER & Q' TY TO BE PUT ON THIS PORTION.

ITEM	DESCRIPTION	Q' TY	MATERIAL	FINISH	REMARKS
3	SOCKET CONTACT	10000	COPPER ALLOY	GOLD OVER NICKEL	
2	PAPER TAPE	1	PAPER		
1	MAGAZINE	1	PAPER		

DIMENSIONS ARE IN MILLIMETERS
TOLERANCES ON: (INCHES)

DIMENSION	ANGLES	CONCENTRICITY
. ± 0.3	X° ±	WITHIN T. I. R.
.X ± 0.3	X°X' ±	
.XX ±		
.XXX ±		

REFERENCE DOCUMENT	DATE	SCALE	TITLE
JACS-3050-2	30. OCT. '90	10:1	D02-22-22S-10000 D02-22-26S-10000
MATERIAL	TREATMENT	FINISH	SERIES
H. KATO	O. OTSUKA		D02
CHECKED	APP' D		
	<i>H. Takemachi</i>		
	APP' D		
	<i>Y. NISHINO</i>		

MUSASHINO, AKISHIMA-SHI
TOKYO, JAPAN

DWG. NO.

SJ021508-E

DCF-116A

SIZE A3 CDS-1201



Mouser Electronics

Authorized Distributor

Click to View Pricing, Inventory, Delivery & Lifecycle Information:

[JAE Electronics:](#)

[D02-22-26S-10000](#)