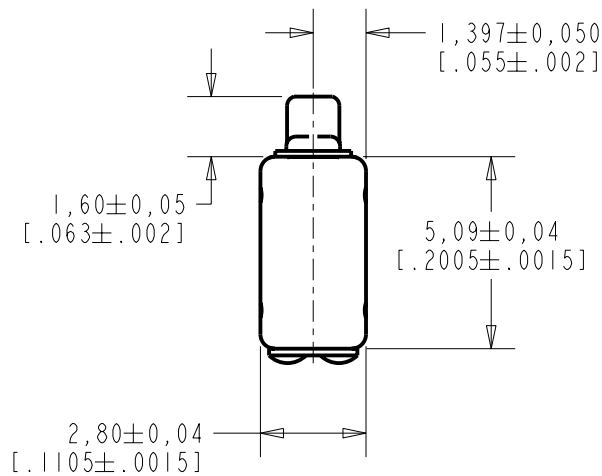
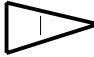


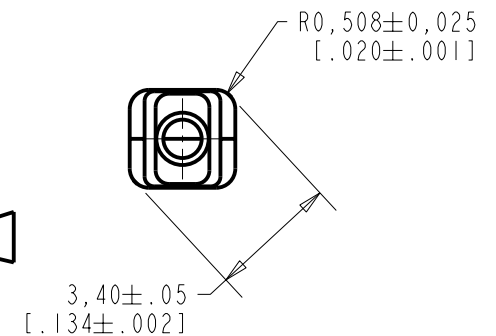
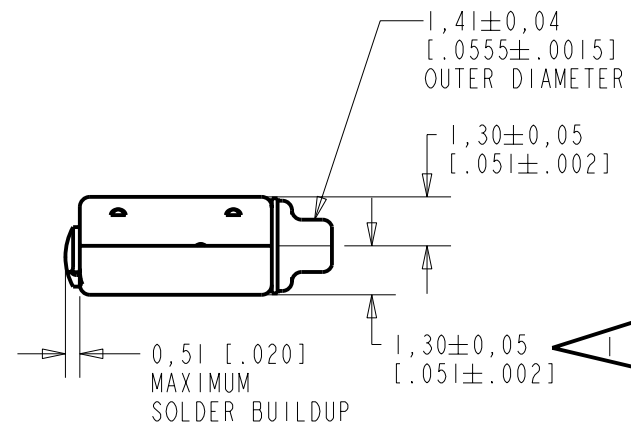
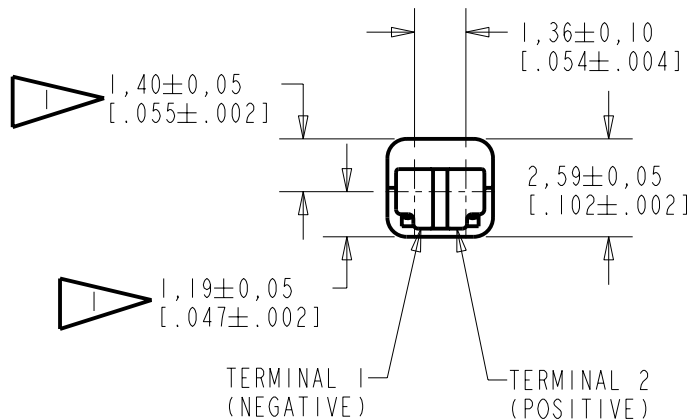
FH-23377-000

SHT 1.1



NOTES:

 LOCATED FROM TWO SURFACES FOR CUSTOMER CONVENIENCE. ONLY APPLICABLE FROM ONE SURFACE, NOT TO BE USED TOGETHER. HORIZONTAL LOCATION FOR TERMINAL CENTERED TO $\pm 0,17$ [.007].



NOMINAL WEIGHT
.18 GRAMS DIMENSIONS IN MILLIMETERS [INCHES]

KNOWLES ELECTRONICS
ITASCA, ILLINOIS U.S.A.

Revision	C.O. #	Implementation Date	RELEASE LEVEL	REVISION
			Released	A
A	C10103105	9-15-05		

SCALE: 5:1		DR. BY	DATE
DO NOT SCALE DRAWING		MMM	9-15-05
		CK. BY	DATE
TITLE: RECEIVER		GJP	9-20-05
		FH-23377-000	
OUTLINE DRAWING		APP. BY	DATE
		GJP	9-20-05
		SHT 1.1	



NOTES:

1. MEASUREMENTS MADE USING 10mm (.394") OF 1mm (.039") ID TUBE CONNECTED TO A SIMULATED ANSI S3.3-1960 TYPE HA-3 COUPLER. (T3420 AND B&K 080138)

2. SENSITIVITY

FREQUENCY	MIN.	MAX.
200	95.0	101.0
500	95.5	101.5
1000	97.0	103.0
1950-2650	110.0	116.0
4000-4800	94.0	---
5300-6300	100.0	106.0

- 3. RESPONSE, IMPEDANCE, AND DISTORTION MEASUREMENTS MADE USING THE ELECTRICAL TEST CONDITIONS SHOWN BELOW.
- 4. ELECTRICAL SOURCE IMPEDANCE MUST BE GREATER THAN 20 TIMES 1kHz IMPEDANCE FOR TEST CONDITIONS SHOWN BELOW.
- 5. INDIVIDUAL SPECIFICATIONS.

PORT LOCATION	IMPEDANCE OHMS ±15%		DCR @20°C OHMS ±10%	DISTORTION		ELECTRICAL TEST CONDITIONS	
	1KHz	500Hz		MAX. %	FREQ Hz	AC mA RMS	DC mA
12S	1030	685	515	5	750	0.56	0.00

Revision	C.O. #	Implementation Date	RELEASE LEVEL	REVISION
A	C10103105	9-15-05	Released	A

KNOWLES ELECTRONICS
ITASCA, ILLINOIS U.S.A.

WHEN TEST LIMITS ARE USED TO ESTABLISH INCOMING INSPECTION ACCEPTANCE/REJECTION CRITERIA, CORRELATION OF TEST EQUIPMENT WITH KNOWLES IS ALSO REQUIRED FOR ELIMINATION OF EQUIPMENT AND TEST METHOD VARIATION

TITLE: **RECEIVER**
PERFORMANCE SPECIFICATION

FH-23377-000
SHT 2.1

DR. BY	DATE
MMM	9-15-05
CK. BY	DATE
GJP	9-20-05
APP. BY	DATE
GJP	9-20-05

Mouser Electronics

Authorized Distributor

Click to View Pricing, Inventory, Delivery & Lifecycle Information:

Knowles:

[FH-23375-000](#) [FH-23469-000](#) [FFH-26786-I04](#) [FH-26896-000](#) [FFH-23469-I04](#) [FFH-26857-I05](#) [FH-23371-000](#) [FH-26759-000](#) [FH-30016-000](#) [FH-26880-000](#) [FH-23821-000](#) [FH-26555-000](#) [FFH-23605-I02](#) [FFH-26727-I04](#) [FFH-26866-I05](#) [FH-23605-000](#) [FH-26757-000](#) [FH-30014-000](#) [FH-26308-000](#) [FH-26745-000](#) [FFH-26865-I05](#) [FH-23377-000](#) [FH-26878-000](#) [FH-30015-000](#) [FFH-26858-I05](#) [FH-23373-000](#) [FH-26719-000](#) [FH-26553-000](#) [FFH-23373-I04](#) [FFH-26867-I05](#) [FH-26664-000](#) [FFH-26856-I05](#) [FFH-23371-I04](#) [FFH-23375-I02](#) [FFH-26308-I04](#) [FH-60018-000](#) [FFH-23375-I04](#) [FFH-26553-I05](#) [FFH-26787-I04](#) [FH-23375-111](#)