

FOR REFERENCE ONLY

B NX303GB1B-XX

SPECIFICATIONS:

AC RATING: 10 AMPS @115VAC (RESISTIVE LOAD)
 5 AMPS @115VAC (INDUCTIVE LOAD)
 3 AMPS @115VAC (LAMP LOAD)

DC RATING: 10 AMPS @28VDC (RESISTIVE LOAD)
 5 AMPS @28VDC (INDUCTIVE LOAD)
 3 AMPS @28VDC (LAMP LOAD)

TYPE 7 CONTACT ARRANGEMENTS:

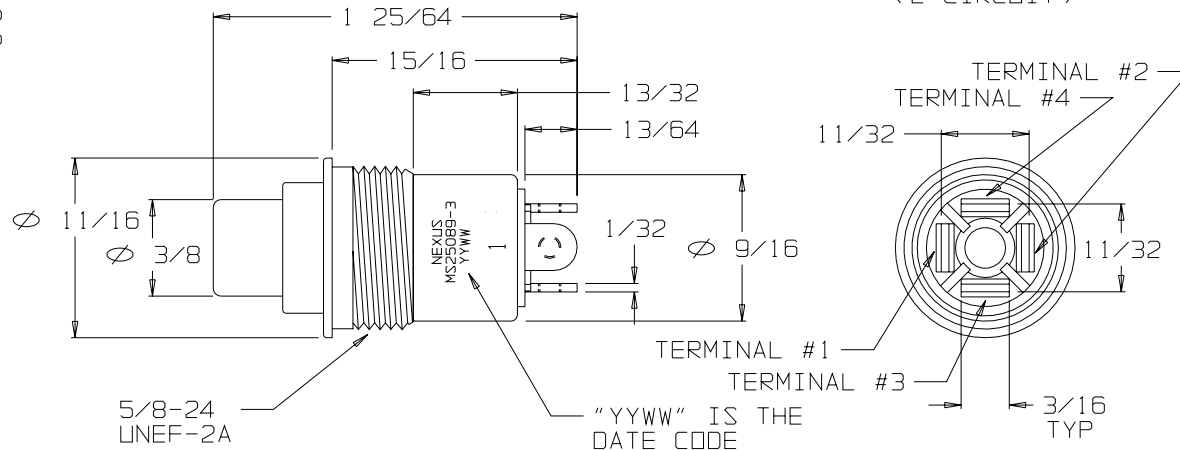
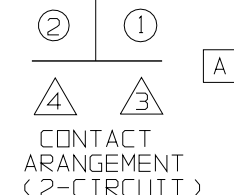
1/2 AMPERAGE LOADS SHOWN ABOVE

MECHANICAL LIFE: 500,000 CYCLES
 ACTION: MOMENTARY SNAP OR PUSH PULL

OPERATING FORCE:
 SERIES 20 & 30: 3 TO 5 POUNDS MOMENTARY
 1/2 TO 2 POUNDS PUSH-PULL

SERIES 22 & 32: 2 TO 3 POUNDS MOMENTARY
 WEIGHT: .050 POUNDS MAXIMUM

CASE: ALUMINUM ALLOY 2011-T3,
 CLEAR ANODIZED IAW MIL-A-8625
 PLUNGER: GLASS FILLED NYLON
 BODY: DIALLYL PHTHALATE IAW MIL-M-14
 TERMINALS: THREADED #2-56 NC-2B



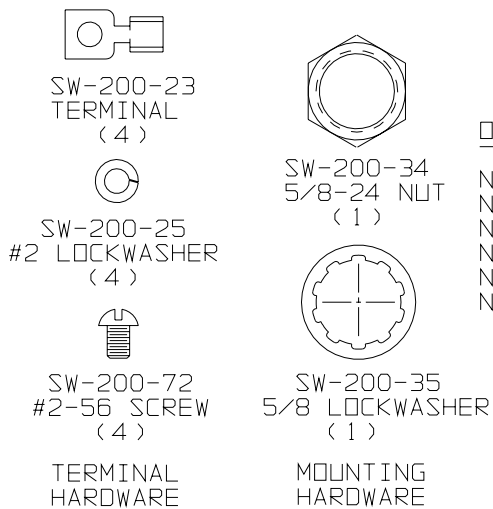
DESCRIPTION

DUSTPROOF "300 SERIES" MOMENTARY SWITCH
 2 CIRCUIT (CAN BE JUMPERED FOR SPDT)
 ADAPTER TYPE "G", COLOR BLACK
 BUTTON #1, COLOR BLACK

THIS DOCUMENT CONTAINS PROPRIETARY INFORMATION OF NEXUS, INCORPORATED AND SUCH INFORMATION MAY NOT BE DISCLOSED TO OTHERS FOR ANY PURPOSE OR USED FOR ANY PURPOSE WITHOUT THE WRITTEN CONSENT OF NEXUS.

ORDERING INFORMATION:

NX303GB1B-00 SWITCH ONLY
 NX303GB1B-60 SWITCH, MOUNTING HARDWARE
 NX303GB1B-62 SWITCH, MOUNTING HARDWARE, TERMINAL HARDWARE
 NX303GB1B-00EU SWITCH (ROHS) ONLY
 NX303GB1B-60EU SWITCH (ROHS), MOUNTING HARDWARE
 NX303GB1B-62EU SWITCH (ROHS), MOUNTING HARDWARE, TERMINAL HARDWARE



DWN. BY	EWT	DATE	9/11/07	MATERIAL	N/A
CHECKED BY		DATE		FINISH	N/A
APPR. BY		DATE		WEIGHT	SCALE N/A
UNLESS OTHERWISE SPECIFIED DIMENSIONS ARE IN INCHES TOLERANCES ON ANGLES				TITLE SWITCH 2-CIRCUIT MOMENTARY (MS25089-3G)	
.XX .XXX .XXX				SIZE DWG. NO.	
±.003 ±.5°				B NX303GB1B-XX	
DO NOT SCALE DWG.			SHEET 1 OF 1		

A	CORRECTED CONTACT 3 & 4 POSITION		4/14/08	EWT
LET.	REVISION	CN #	DATE	CHK.

Mouser Electronics

Authorized Distributor

Click to View Pricing, Inventory, Delivery & Lifecycle Information:

Amphenol:

[NX303GB1R](#) [NX303GB1B](#) [NX303GB1R-60](#) [NX303GB1W](#) [NX303GB1W-62](#) [NX303GB1W-60](#) [MS25089-3GR](#)
[MS25089-3G](#) [NX303GB1B-62](#)