



# 285 MHz LC Lowpass Filter

**Part Number: AE285L8698**



## Electrical specifications

**Cutoff Frequency (FC):** 285 MHz  
**Passband:** 0-285 MHz  
**Insertion loss @FC:** 1 dB Min  
**Return loss @Passband:** 14 dB Max  
**Rejection @ 300 MHz:** 40 dB Max

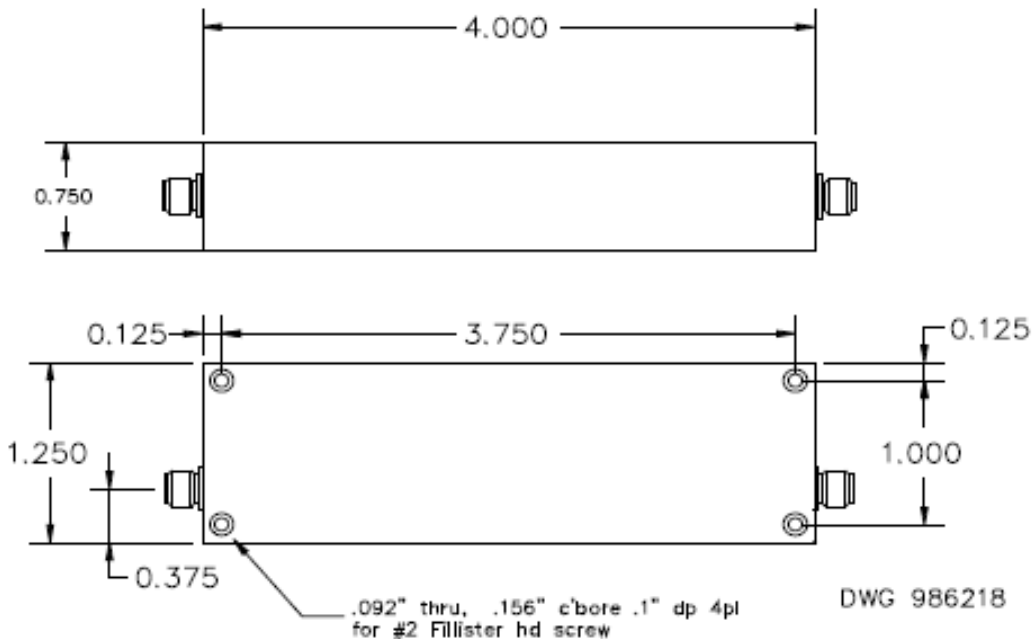
## Mechanical

**Mounting Method:** BNC  
**Dimensions:** 4 x 1.25 x 0.75 Inches

## Environmental

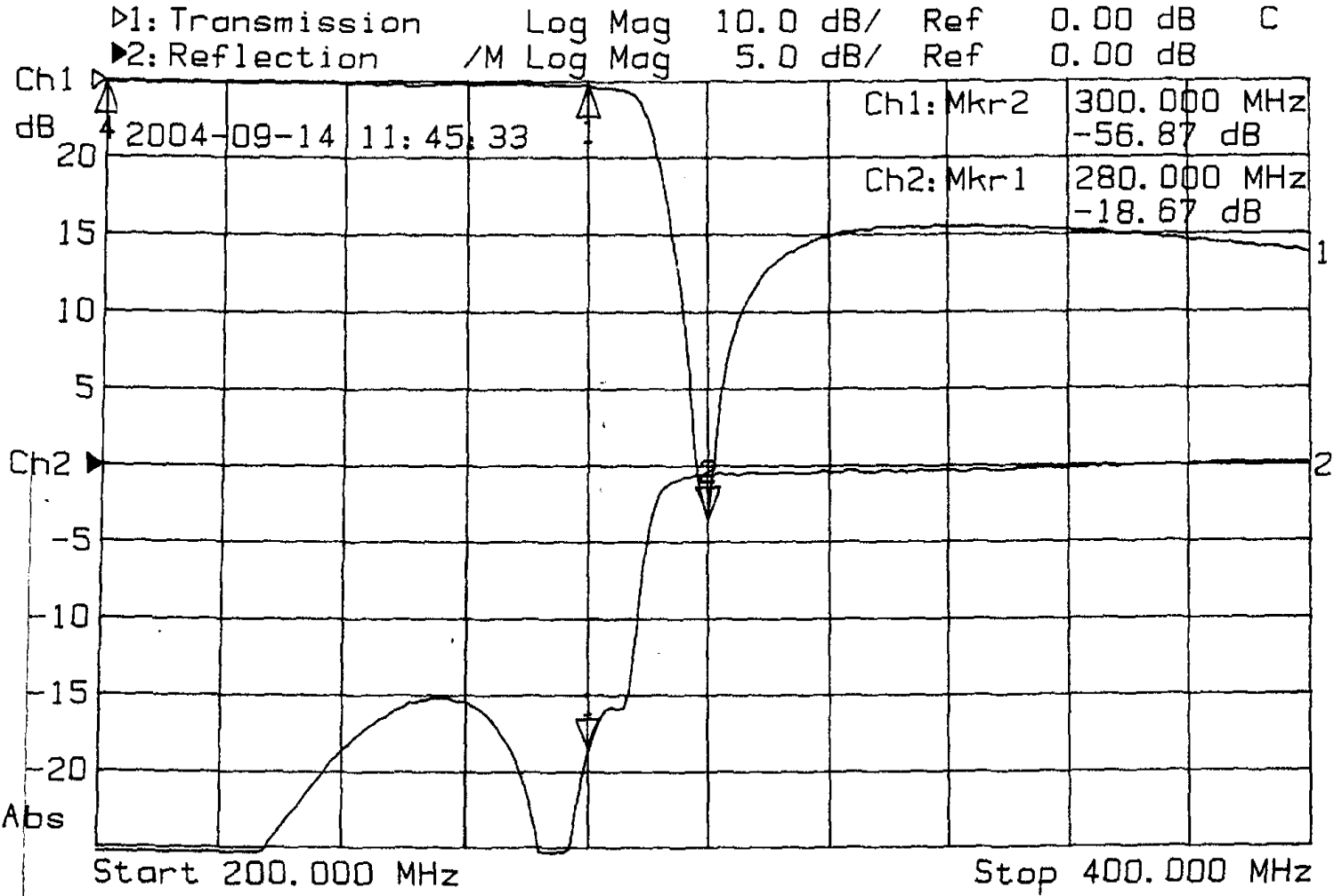
**Operating Temperature:** -30 to +75° C  
**Storage Temperature:** -40 to +85° C

## Outline Drawing:





**Response Plot**



1: Mkr (MHz)	dB	2: Mkr (MHz)	dB
1: 280.00	-0.71	1> 280.00	-18.67
2> 300.00	-56.87		
4: 200.00	-0.17		