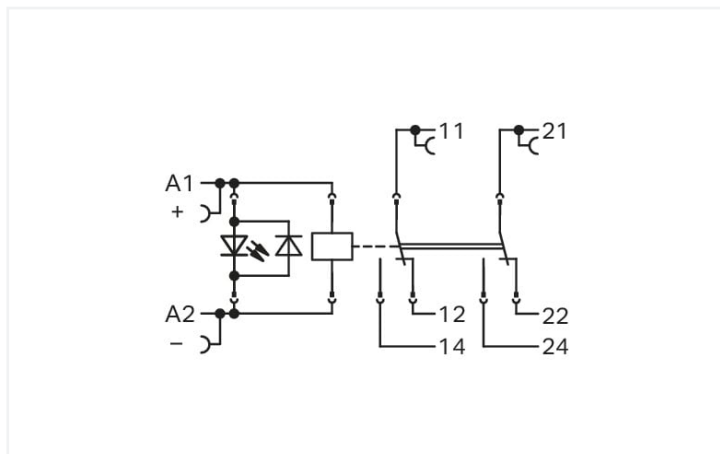
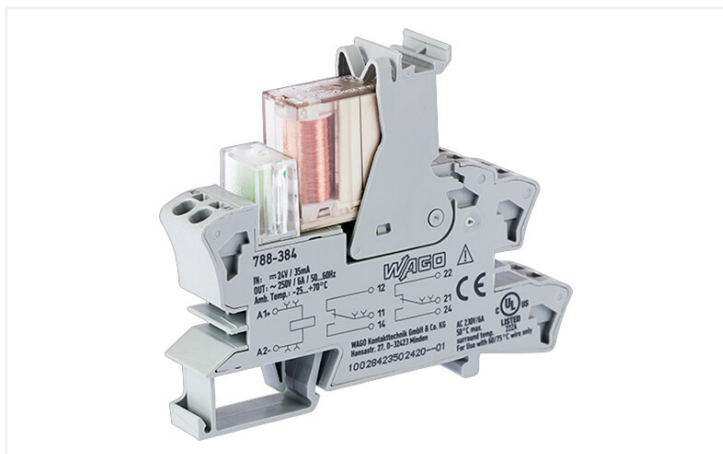


# Data Sheet | Item Number: 788-384

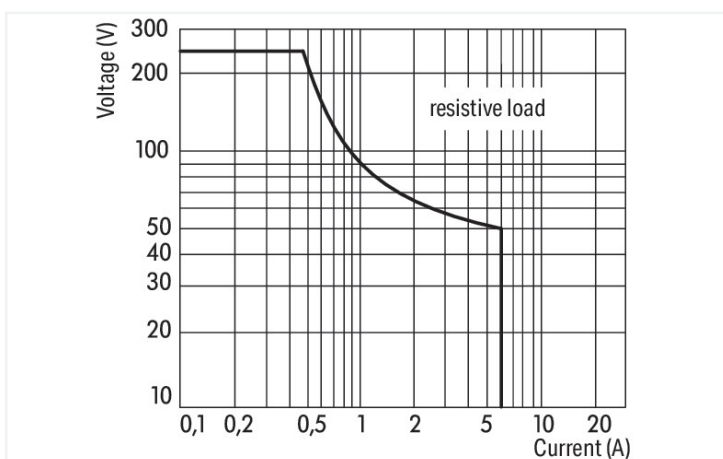
Relay module with driven contacts; Nominal input voltage: 24 VDC; 2 changeover contacts; Limiting continuous current: 6 A; Red status indicator; Module width: 15 mm; 2,50 mm<sup>2</sup>; gray



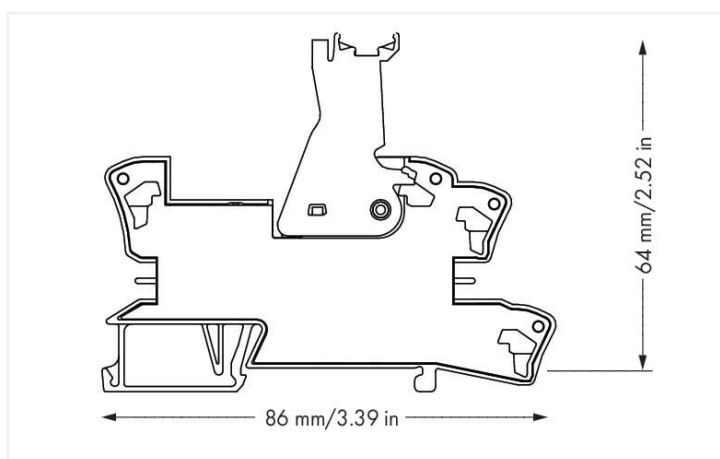
<https://www.wago.com/788-384>



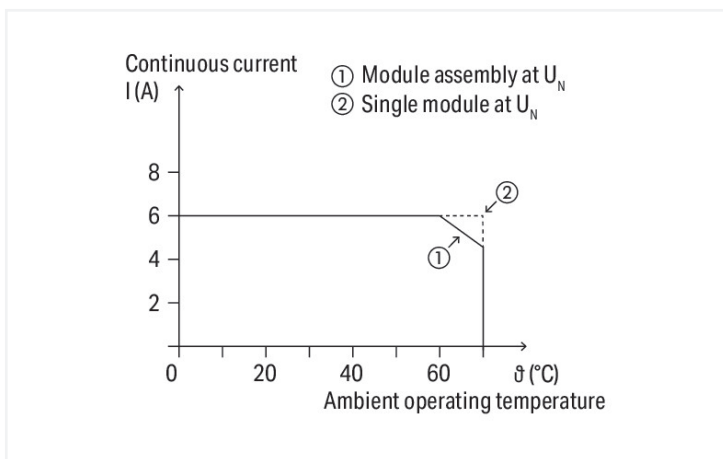
Color: ■ gray



DC load limit curve



Dimensions in mm



Current-carrying capacity curve

## Notes

## Safety information

- Per EN 61810-3, it is only permitted to use 1 make contact/1 break contact for safety circuits (11-14 and 22-21 or 12-11 and 21-24).
- A separator plate (e.g., 209-191) must be used for voltages greater than 250 V between adjacent relay modules and for compliance with the reinforced insulation requirements.

## Note

Reinforced insulation between coil and contacts  
To protect the relay coils and contacts, inductive loads must be dampened with an effective protection circuit.

## Technical data

## Control circuit

Nominal input voltage $U_N$	DC 24 V
Input voltage range	-15 ... +10 %
Nominal input current at $U_N$	31 mA

## Load circuit

Number of changeover/switchover contacts	2
Contact material (relay)	AgNi
Limiting continuous current	6 A
Inrush current (resistive) max.	(AC) 14 A / 4 s
Switching voltage (max.)	AC 250 V
Switching power (resistive) max.	AC 1500 VA; DC (see load limit curve)
Switching capacity	AC-15: 3 A / AC 250 V; DC-13: 3 A / DC 24 V
Recommended minimum load	5 V / 10 mA
Pull-in time (typ.)	10 ms
Drop-out time (typ.)	4 ms
Electrical life (NO; resistive load; 23 °C)	100 x 10 <sup>3</sup> switching operations
Mechanical life	10 x 10 <sup>6</sup> switching operations
Switching frequency with/without load (max.)	6 min <sup>-1</sup> / 300 min <sup>-1</sup>
Mechanical force-guided operation	Type A

## Signaling

Status indicator	Red LED
------------------	---------

## Safety and protection

Rated voltage	250 V
Rated surge voltage	6 kV
Pollution degree	3
Dielectric strength (control/load circuit) (AC, 1 min)	4 kVrms
Dielectric strength (open contact) (AC, 1 min)	1.5 kVrms
Dielectric strength (load/load circuit) (AC, 1 min)	3 kVrms
Safety information	<ul style="list-style-type: none"> <li>• Per EN 61810-3, it is only permitted to use 1 make contact/1 break contact for safety circuits (11-14 and 22-21 or 12-11 and 21-24).</li> <li>• A separator plate (e.g., 209-191) must be used for voltages greater than 250 V between adjacent relay modules and for compliance with the reinforced insulation requirements.</li> </ul>
B10d (AC 1)	250 V; 6 A; 1 NO: 600,000 switching operations 250 V; 3 A; 1 NO: 900,000 switching operations 250 V; 1.5 A; 1 NO: 1,800,000 switching operations
B10d (AC 15)	250 V; 3 A; 1 NO: 180,000 switching operations 250 V; 2 A; 1 NO: 560,000 switching operations 250 V; 0.75 A; 1 NO: 4,600,000 switching operations
B10d (DC 13)	24 V; 3 A; 1 NO: 360,000 switching operations 24 V; 1.5 A; 1 NO: 740,000 switching operations 24 V; 0.75 A; 1 NO: 4,200,000 switching operations
Protection type	IP20

### Connection data

Connection technology	Push-in CAGE CLAMP®
Solid conductor	0.34 ... 2.5 mm <sup>2</sup> / 22 ... 14 AWG
Fine-stranded conductor	0.34 ... 2.5 mm <sup>2</sup> / 22 ... 14 AWG
Strip length	9 ... 10 mm / 0.35 ... 0.39 inches

### Physical data

Width	15 mm / 0.591 inches
Height	86 mm / 3.386 inches
Depth from upper-edge of DIN-rail	64 mm / 2.52 inches

### Mechanical data

Mounting type	DIN-35 rail
---------------	-------------

### Material data

Color	gray
Fire load	0.939 MJ
Weight	50.3 g

### Environmental requirements

Ambient temperature (operation at U <sub>N</sub> )	-40 ... +70 °C
Ambient temperature UL (operation at U <sub>N</sub> )	-40 ... +50 °C
Ambient temperature (storage)	-40 ... +70 °C
Processing temperature	-25 ... +50 °C
Temperature range of connection cable	≥ (T <sub>ambient</sub> + 20 K)

### Standards and specifications

Standards/specifications	EN 61010-2-201 EN 61810-1 EN 61373 UL 508
--------------------------	--

### Basic relay

WAGO Basic Relay	788-902
------------------	---------

### Commercial data

Product Group	6 (INTERFACE ELECTRONIC)
eCl@ss 10.0	27-37-16-01
eCl@ss 9.0	27-37-16-01
ETIM 8.0	EC001437
ETIM 7.0	EC001437
PU (SPU)	15 (1) pcs
Packaging type	Box
Country of origin	CN
GTIN	4055143184175
Customs tariff number	85364900990

Environmental Product Compliance	
RoHS Compliance Status	Compliant, No Exemption

### Approvals / Certificates

General approvals			Declarations of conformity and manufacturer's declarations		
Approval	Standard	Certificate Name	Approval	Standard	Certificate Name
EAC Brjansker Zertifizierungsstelle	TP TC 004/2011	EAC RU C-DE.AM02. B.00122/19	EU-Declaration of Conformity WAGO GmbH & Co. KG	-	-
UL Underwriters Laboratories Inc. (ORDINARY LOCATIONS)	UL 508	E175199 Vol.1 Sec.6	UK-Declaration of Conformity WAGO GmbH & Co. KG	-	-

### Downloads

Environmental Product Compliance	
Compliance Search	
Environmental Product Compliance 788-384	<a href="#">↓</a>

### Documentation

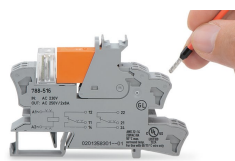
Bid Text				Instruction Leaflet			
788-384	25.01.2019	docx 17.54 KB	<a href="#">↓</a>	Sockets with Elementary Relay/ SSR	V 1.0.1 09.10.2020	pdf 2271.22 KB	<a href="#">↓</a>
788-384	19.02.2019	xml 5.36 KB	<a href="#">↓</a>				

### CAD/CAE-Data

CAD data		CAE data	
2D/3D Models 788-384	<a href="#">↓</a>	EPLAN Data Portal 788-384	<a href="#">↓</a>
		WSCAD Universe 788-384	<a href="#">↓</a>
		ZUKEN Portal 788-384	<a href="#">↓</a>

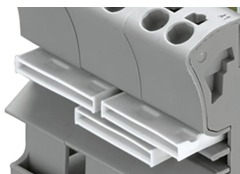
## Installation Notes

### Conductor termination



Conductor termination

### Commoning



Easy commoning using adjacent jumpers

### Marking



Marking using WMB Multi markers and group marker carriers.