

HPP816E031 ✓ ACTIVE

MEAS | MEAS HTD

TE Internal #: HPP816E031

TE Internal Description: TRICAN 12V HTD2800P1B11C6STD

Digital RH Temperature Pressure Sensor

[View on TE.com >](#)



Sensors > Humidity Sensors > Humidity Sensor Assemblies > Digital RH Temperature Pressure Sensor



Humidity Sensor Product Type: RHTP

Supply Voltage (Peak): 32 VDC

Operating Temperature Range: -40 – 105 °C [-40 – 221 °F]

Accuracy: ±3 %RH

Current Consumption: 25 mA

[All Digital RH Temperature Pressure Sensor \(5\)](#)

Features

Product Type Features

Humidity Sensor Product Type	RHTP
Interface Signal Type	Digital

Electrical Characteristics

Supply Voltage (Peak)	32 VDC
Current Consumption	25 mA

Signal Characteristics

Baud Rate	250 Kb/s
Transmit Rate	100 msec

Usage Conditions

Humidity Operating Range	0 – 100 %RH
Operating Temperature Range	-40 – 105 °C [-40 – 221 °F]
Accuracy	±3 %RH

Operation/Application

Pressure (Max)	130 kPa
----------------	---------

Other

Response Time	5 seconds
---------------	-----------



Product Compliance

[For compliance documentation, visit the product page on TE.com>](#)

EU RoHS Directive 2011/65/EU	Compliant
EU ELV Directive 2000/53/EC	Compliant
China RoHS 2 Directive MIIT Order No 32, 2016	No Restricted Materials Above Threshold
EU REACH Regulation (EC) No. 1907/2006	Current ECHA Candidate List: JUNE 2024 (241) Candidate List Declared Against: JAN 2019 (197) SVHC > Threshold: Not Yet Reviewed
Halogen Content	Not Yet Reviewed for halogen content
Solder Process Capability	Not reviewed for solder process capability

Product Compliance Disclaimer

This information is provided based on reasonable inquiry of our suppliers and represents our current actual knowledge based on the information they provided. This information is subject to change. The part numbers that TE has identified as EU RoHS compliant have a maximum concentration of 0.1% by weight in homogenous materials for lead, hexavalent chromium, mercury, PBB, PBDE, DBP, BBP, DEHP, DIBP, and 0.01% for cadmium, or qualify for an exemption to these limits as defined in the Annexes of Directive 2011/65/EU (RoHS2). Finished electrical and electronic equipment products will be CE marked as required by Directive 2011/65/EU. Components may not be CE marked. Additionally, the part numbers that TE has identified as EU ELV compliant have a maximum concentration of 0.1% by weight in homogenous materials for lead, hexavalent chromium, and mercury, and 0.01% for cadmium, or qualify for an exemption to these limits as defined in the Annexes of Directive 2000/53/EC (ELV). Regarding the REACH Regulations, TE's information on SVHC in articles for this part number is still based on the European Chemical Agency (ECHA) 'Guidance on requirements for substances in articles' (Version: 2, April 2011), applying the 0.1% weight on weight concentration threshold at the finished product level. TE is aware of the European Court of Justice ruling of September 10th, 2015 also known as O5A (Once An Article Always An Article) stating that, in case of 'complex object', the threshold for a SVHC must be applied to both the product as a whole and simultaneously to each of the articles forming part of its composition. TE has evaluated this ruling based on the new ECHA "Guidance on requirements for substances in articles" (June 2017, version 4.0) and will be updating its statements accordingly.

Compatible Parts

 <p>TE Part # CAT-HSA0004 Digital RH Temperature Pressure Sensor</p>	 <p>TE Part # FPP800A110 FPS2800B12C4 STD</p>	 <p>TE Part # HPP801A031 HS1101LF HUMIDITY SENSOR</p>
---	--	--

Also in the Series | MEAS HTD



Humidity Sensor Assemblies(3)

Customers Also Bought



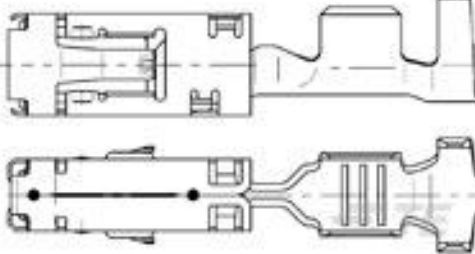
TE Part #NB-PTCO-058
Pt100, 2.0x2.3, Class T, PTFC101T1G0



TE Part #1-1823498-1
LEAVYSEAL Connector Housings



TE Part #0413-003-1605
SEALING PLUG, SIZE 16, BLU




TE Part #967542-2
SENS FLA-KONT 2,8



TE Part #539950-2
ERGO DIE MCP 1,5 K



TE Part #5-1579001-3
ERGO DIE MCP1.5K



TE Part #4-1579016-0
ERGOCRIMP DIE SET MCP1.5K



TE Part #1393457-5
V23540M1000Z119=BLINDSTOPFEN (

Documents

CAD Files

3D PDF

3D

Customer View Model

[ENG_CVM_CVM_HPP816E031_C.2d_dxf.zip](#)

English

Customer View Model

[ENG_CVM_CVM_HPP816E031_C.3d_igs.zip](#)

English

Customer View Model

[ENG_CVM_CVM_HPP816E031_C.3d_stp.zip](#)

English

By downloading the CAD file I accept and agree to the [Terms and Conditions](#) of use.

Datasheets & Catalog Pages

[Data sheet TRICAN HTD2800Px11C6V2](#)

English

