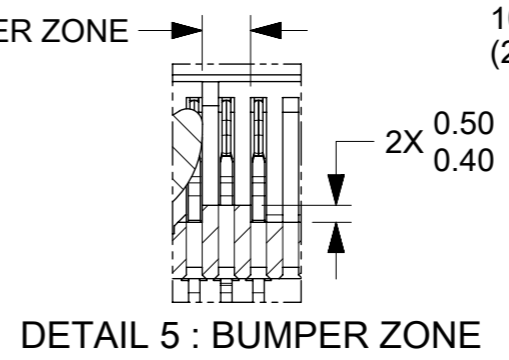


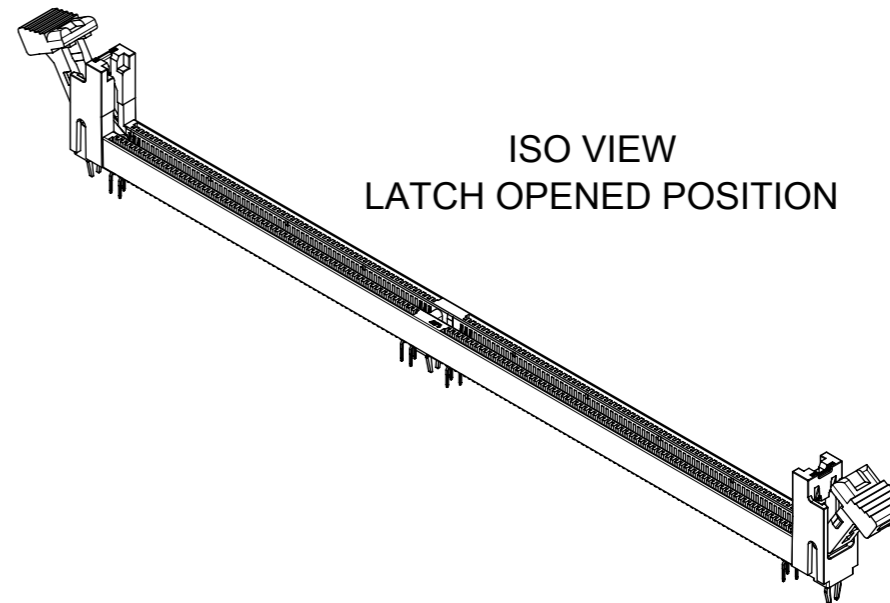
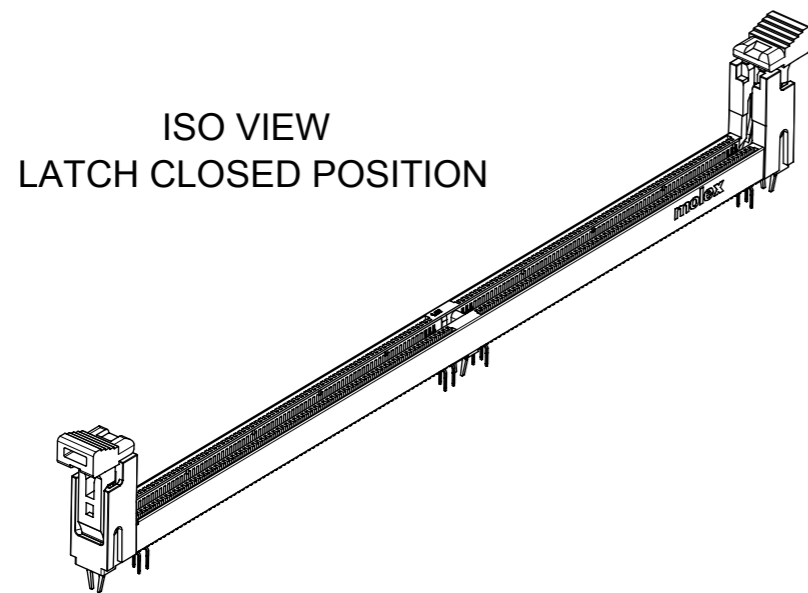
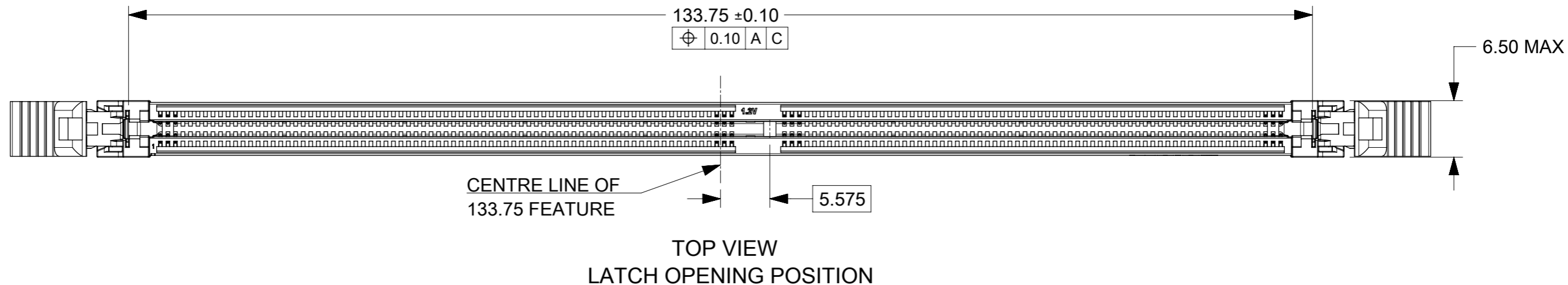
NOTES:

- MATERIAL : HOUSING - HALOGEN FREE HIGH TEMP POLYAMIDE, GLASS FILLED, UL94V-0.
COLOUR : SEE TABLE ON SHEET 5.
LATCH - HALOGEN FREE HIGH TEMP POLYAMIDE, GLASS FILLED, UL94V-0.
COLOUR : SEE TABLE ON SHEET 5.
TERMINAL : COPPER ALLOY.
FORKLOCK: COPPER ALLOY.
- FINISHES - SEE TABLE ON SHEET 5.
- PRODUCT SPECIFICATION : SEE TABLE ON SHEET 5.
- PACKAGING SPECIFICATION: PRODUCT SHALL BE PACKED IN TRAY, SEE SHEET 5
- CARD SLOT ACCEPTS 1.40±0.10MM MODULE THICKNESS (MEASURED OVER P.C. PADS).

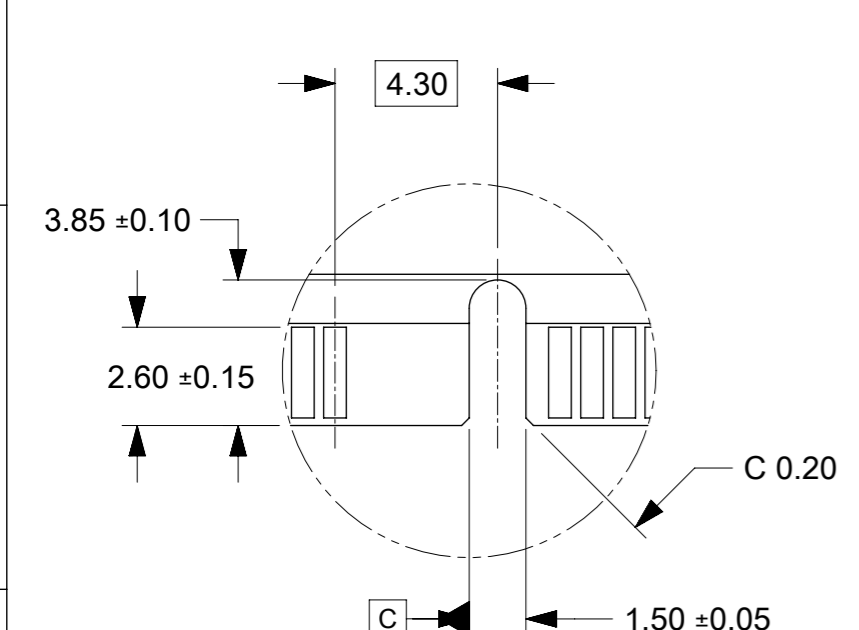
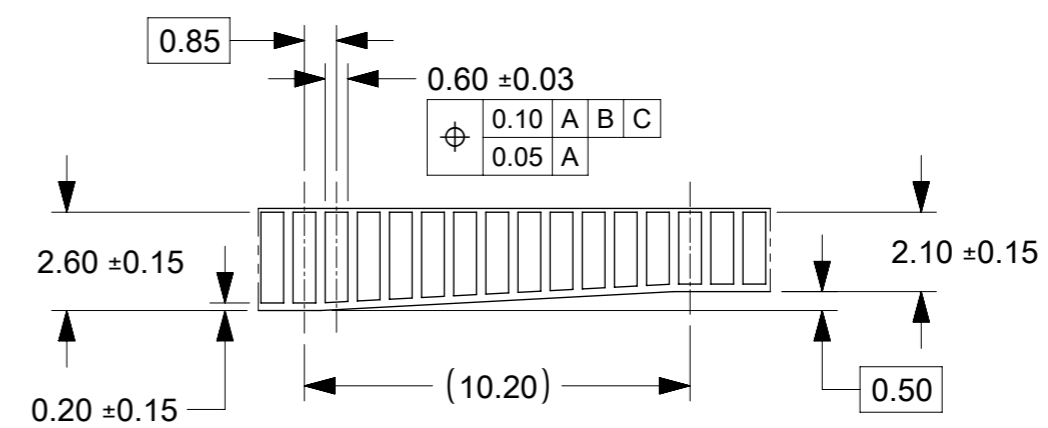
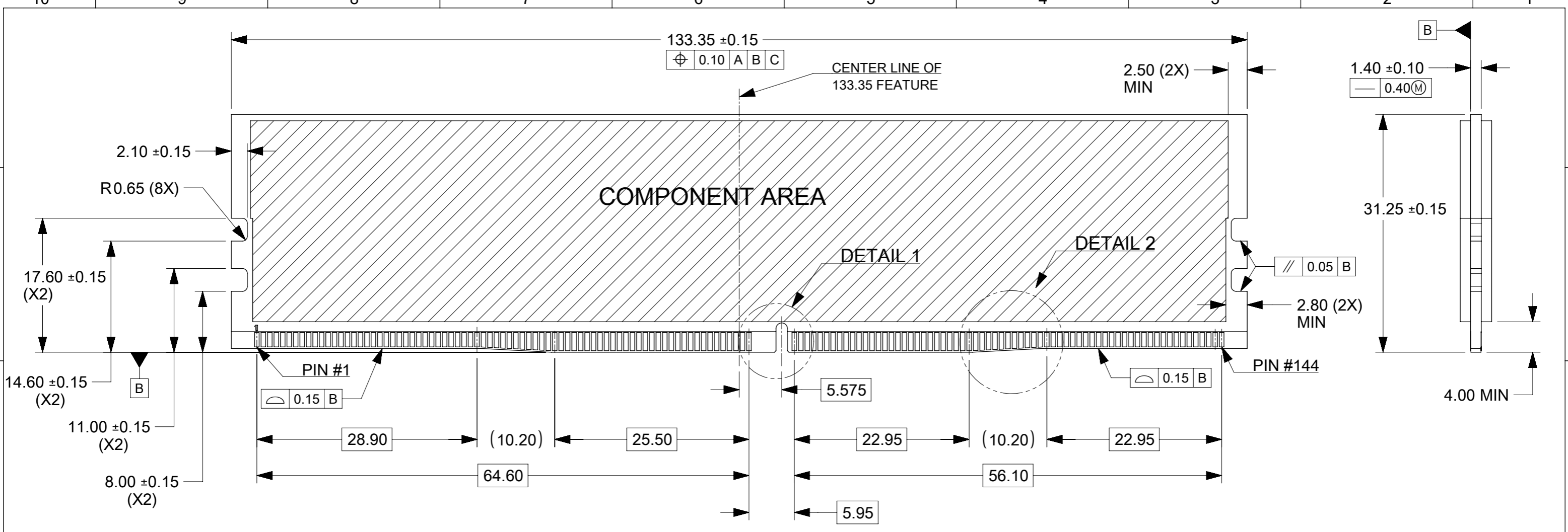
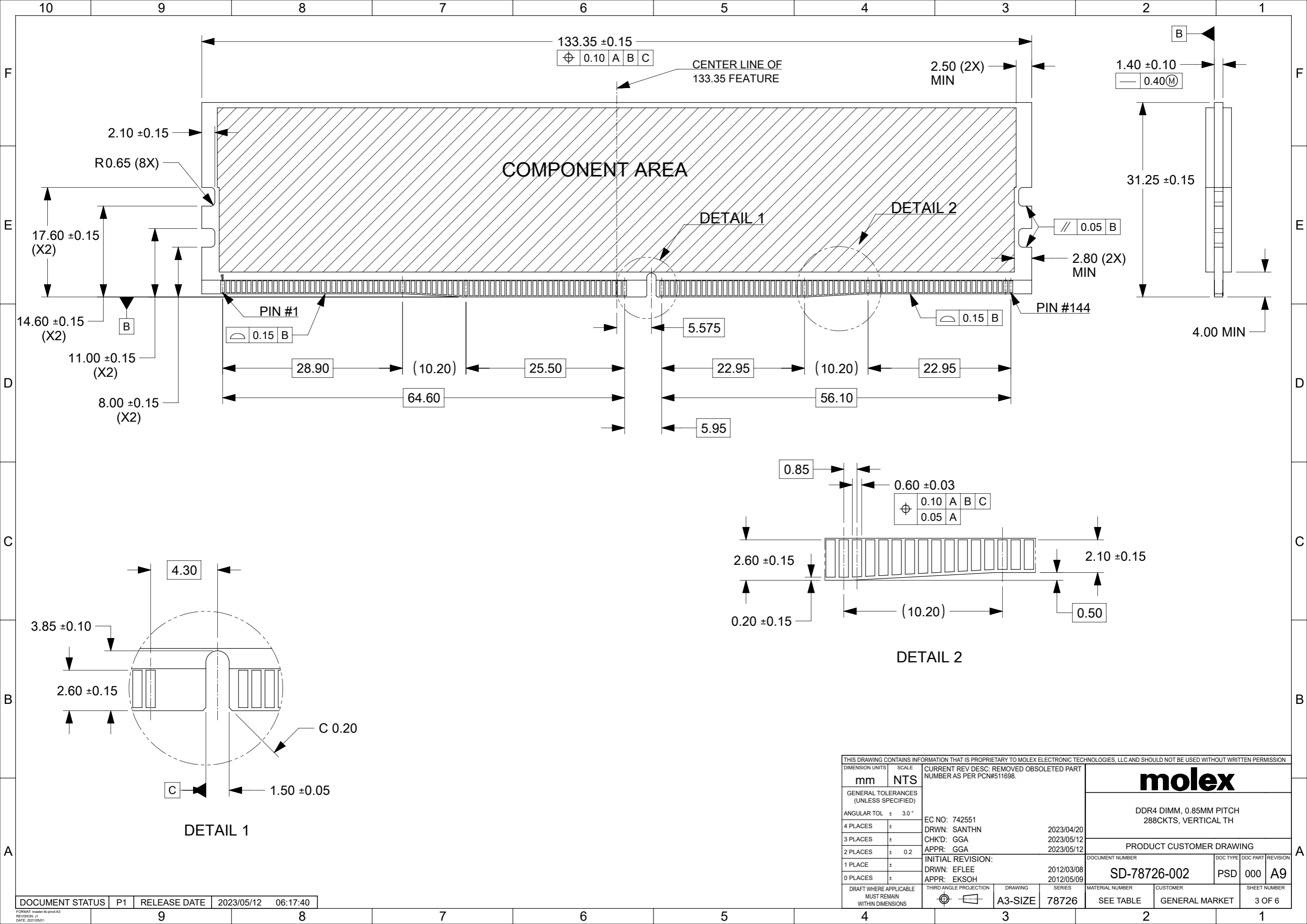
- △6 MOLEX LOGO, DATE & PART NO. INDICATED ON HOUSING.
 - △7 MODULE SEATING PLANE.
 - △8 KEEP OUT ZONE RESERVED FOR LATCH.
 - △9 KEEP OUT AREA IS THE AREA WHERE THE CONNECTOR (INCLUDES LATCHES IN OPENING POSITION) IS MOUNTED ON THE PCB.
- REFER TO AS-78726-001 FOR CONNECTOR APPLICATION GUIDELINE.
 - REFER TO AS-78726-002 FOR PCB ROUTING RECOMMENDATIONS.



| | | | | | | | | | |
|---|--|-------------------------|--|---|--|--------------|--|-------------------|--|
| THIS DRAWING CONTAINS INFORMATION THAT IS PROPRIETARY TO MOLEX ELECTRONIC TECHNOLOGIES, LLC AND SHOULD NOT BE USED WITHOUT WRITTEN PERMISSION | | | | | | | | | |
| DIMENSION UNITS | | SCALE | | CURRENT REV DESC: REMOVED OBSOLETE PART NUMBER AS PER PCN#511698. | | | | | |
| mm | | NTS | | <p>DDR4 DIMM, 0.85MM PITCH 288CKTS, VERTICAL TH</p> <p>PRODUCT CUSTOMER DRAWING</p> | | | | | |
| GENERAL TOLERANCES (UNLESS SPECIFIED) | | | | | | | | | |
| ANGULAR TOL ± 3.0° | | | | | | | | | |
| 4 PLACES ± | | EC NO: 742551 | | | | | | | |
| 3 PLACES ± | | DRWN: SANTHN 2023/04/20 | | | | | | | |
| 2 PLACES ± 0.2 | | CHK'D: GGA 2023/05/12 | | | | | | | |
| 1 PLACE ± | | APPR: GGA 2023/05/12 | | | | | | | |
| 0 PLACES ± | | INITIAL REVISION: | | DOCUMENT NUMBER | | DOC TYPE | | DOC PART REVISION | |
| DRAFT WHERE APPLICABLE MUST REMAIN WITHIN DIMENSIONS | | THIRD ANGLE PROJECTION | | DRAWING | | SERIES | | MATERIAL NUMBER | |
| | | A3-SIZE | | 78726 | | SEE TABLE | | CUSTOMER | |
| | | | | GENERAL MARKET | | SD-78726-002 | | PSD 000 A9 | |
| | | | | | | | | SHEET NUMBER | |
| | | | | | | | | 1 OF 6 | |



| | | | | | | | | | | |
|---|---------|---|---------|--------|-----------------|----------------|-----------------|----------|----------|----------|
| THIS DRAWING CONTAINS INFORMATION THAT IS PROPRIETARY TO MOLEX ELECTRONIC TECHNOLOGIES, LLC AND SHOULD NOT BE USED WITHOUT WRITTEN PERMISSION | | | | | | | | | | |
| DIMENSION UNITS | SCALE | CURRENT REV DESC: REMOVED OBSOLETE PART NUMBER AS PER PCN#511698. | | | | | | | | |
| mm | NTS | | | | | | | | | |
| GENERAL TOLERANCES (UNLESS SPECIFIED) | | | | | | | | | | |
| ANGULAR TOL | ± 3.0 ° | DDR4 DIMM, 0.85MM PITCH 288CKTS, VERTICAL TH | | | | | | | | |
| 4 PLACES | ± | | | | | | | | | |
| 3 PLACES | ± | PRODUCT CUSTOMER DRAWING | | | | | | | | |
| 2 PLACES | ± 0.2 | | | | | | | | | |
| 1 PLACE | ± | EC NO: 742551 DRWN: SANTHN 2023/04/20 CHK'D: GGA 2023/05/12 APPR: GGA 2023/05/12 | | | | | | | | |
| 0 PLACES | ± | | | | | | | | | |
| DRAFT WHERE APPLICABLE MUST REMAIN WITHIN DIMENSIONS | | THIRD ANGLE PROJECTION | DRAWING | SERIES | MATERIAL NUMBER | CUSTOMER | DOCUMENT NUMBER | DOC TYPE | DOC PART | REVISION |
| | | | A3-SIZE | 78726 | SEE TABLE | GENERAL MARKET | SD-78726-002 | PSD | 000 | A9 |

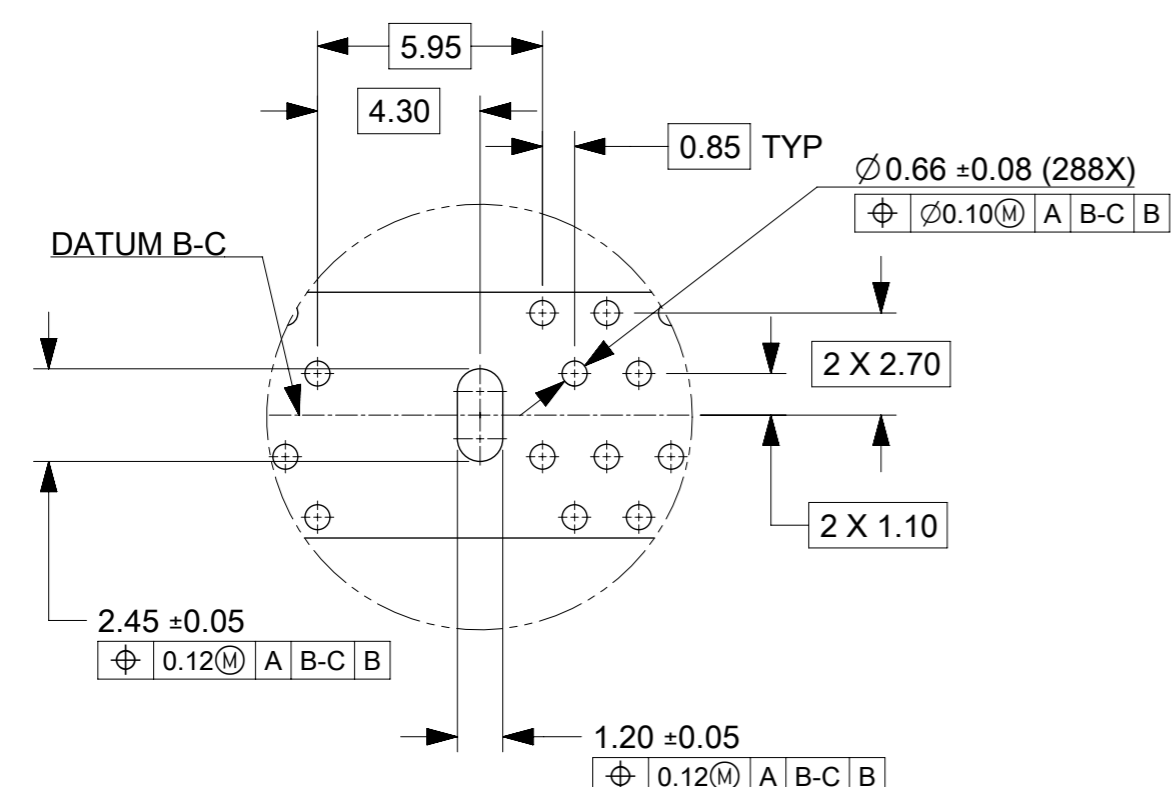
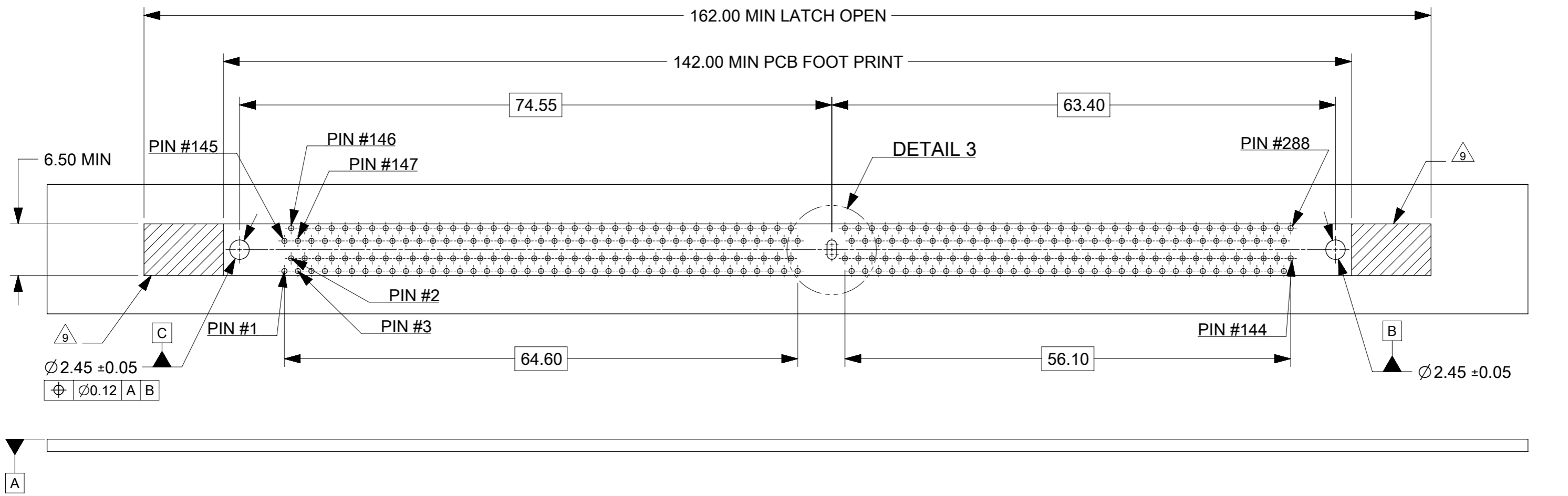


| | | | | | | | | | | | |
|---|--|-------|--|---|--|--------------|--|--|--|-----------------|--|
| THIS DRAWING CONTAINS INFORMATION THAT IS PROPRIETARY TO MOLEX ELECTRONIC TECHNOLOGIES, LLC AND SHOULD NOT BE USED WITHOUT WRITTEN PERMISSION | | | | | | | | | | | |
| DIMENSION UNITS | | SCALE | | CURRENT REV DESC: REMOVED OBSOLETE PART NUMBER AS PER PCN#511698. | | | | | | | |
| mm | | NTS | | | | | | | | | |
| GENERAL TOLERANCES (UNLESS SPECIFIED) | | | | | | | | | | | |
| ANGULAR TOL ± 3.0° | | | | | | | | | | | |
| 4 PLACES ± | | | | | | | | | | | |
| 3 PLACES ± | | | | | | | | | | | |
| 2 PLACES ± 0.2 | | | | | | | | | | | |
| 1 PLACE ± | | | | | | | | | | | |
| 0 PLACES ± | | | | | | | | | | | |
| DRAFT WHERE APPLICABLE MUST REMAIN WITHIN DIMENSIONS | | | | THIRD ANGLE PROJECTION | | DRAWING | | SERIES | | MATERIAL NUMBER | |
| | | | | | | A3-SIZE | | 78726 | | SEE TABLE | |
| DOCUMENT STATUS | | | | P1 | | RELEASE DATE | | 2023/05/12 | | 06:17:40 | |
| EC NO: 742551 | | | | DRWN: SANTHN | | 2023/04/20 | | PRODUCT CUSTOMER DRAWING DDR4 DIMM, 0.85MM PITCH 288CKTS, VERTICAL TH | | | |
| CHK'D: GGA | | | | APPR: GGA | | 2023/05/12 | | | | | |
| INITIAL REVISION: | | | | DRWN: EFLEE | | 2012/03/08 | | DOCUMENT NUMBER | | DOC TYPE | |
| APPR: EKSOH | | | | 2012/05/09 | | | | SD-78726-002 | | PSD | |
| | | | | | | | | DOC PART | | REVISION | |
| | | | | | | | | 000 | | A9 | |
| | | | | | | | | CUSTOMER | | SHEET NUMBER | |
| | | | | | | | | GENERAL MARKET | | 3 OF 6 | |

DOCUMENT STATUS P1 RELEASE DATE 2023/05/12 06:17:40

FORMAT: master-b-prod-A3
REVISION: 11
DATE: 2021/05/01

10 9 8 7 6 5 4 3 2 1



DETAIL 3

| | | | | | | | | | |
|---|--|------------------------|--|---|--|----------------|--|-----------------|--|
| THIS DRAWING CONTAINS INFORMATION THAT IS PROPRIETARY TO MOLEX ELECTRONIC TECHNOLOGIES, LLC AND SHOULD NOT BE USED WITHOUT WRITTEN PERMISSION | | | | | | | | | |
| DIMENSION UNITS | | SCALE | | CURRENT REV DESC: REMOVED OBSOLETE PART NUMBER AS PER PCN#511698. | | | | | |
| mm | | NTS | | | | | | | |
| GENERAL TOLERANCES (UNLESS SPECIFIED) | | | | | | | | | |
| ANGULAR TOL ± 3.0° | | | | PRODUCT CUSTOMER DRAWING | | | | | |
| 4 PLACES ± | | | | EC NO: 742551 | | 2023/04/20 | | DOCUMENT NUMBER | |
| 3 PLACES ± | | | | DRWN: SANTHN | | 2023/05/12 | | SD-78726-002 | |
| 2 PLACES ± | | 0.2 | | CHK'D: GGA | | 2023/05/12 | | PSD 000 A9 | |
| 1 PLACE ± | | | | APPR: GGA | | | | REVISION | |
| 0 PLACES ± | | | | INITIAL REVISION: | | | | | |
| | | | | DRWN: EFLEE | | 2012/03/08 | | | |
| | | | | APPR: EKSOH | | 2012/05/09 | | | |
| DRAFT WHERE APPLICABLE MUST REMAIN WITHIN DIMENSIONS | | THIRD ANGLE PROJECTION | | DRAWING | | SERIES | | MATERIAL NUMBER | |
| | | | | A3-SIZE | | 78726 | | SEE TABLE | |
| | | | | CUSTOMER | | GENERAL MARKET | | SHEET NUMBER | |
| | | | | | | | | 4 OF 6 | |

| | | | | |
|-----------------|----|--------------|------------|----------|
| DOCUMENT STATUS | P1 | RELEASE DATE | 2023/05/12 | 06:17:40 |
|-----------------|----|--------------|------------|----------|

9 8 7 6 5 4 3 2 1

F
E
D
C
B
A

| CKT SIZE | ASSEMBLY PART NO. | HOUSING COLOR | LATCH COLOR | DIM "P" | RECOMMENDED PCB THICKNESS | PLATING OPTION | | PRODUCT SPEC. NO. | PACKAGING SPEC. NO. |
|------------|-------------------|---------------|-------------|---------|---------------------------|--|--|-------------------|---------------------|
| | | | | | | TERMINAL | FORKLOCK | | |
| 288 | 78726-1051 | BLACK | BLACK | 2.10 | 1.57 | 0.76 MICROMETER (30 MICROINCH) MIN GOLD ON CONTACT | 1 MICROMETER (40 MICROINCH) MIN TIN OVERALL (PRE-PLATED) | PS-78726-001 | PK-78726-001 |
| | 78726-1039 | | | 2.40 | 1.57 | | | | |
| | 78726-1002 | | | 2.67 | 1.57 | | | | |
| | 78726-1003 | | | 3.18 | 2.36 | | | | |
| | 78726-1026 | | | 3.50 | 3.00 | | | | |
| | 78726-1040 | BLACK | WHITE | 2.40 | 1.57 | | | | |
| | 78726-1004 | | | 2.67 | 1.57 | | | | |
| | 78726-1005 | | | 3.18 | 2.36 | | | | |
| | 78726-1041 | WHITE | BLACK | 2.40 | 1.57 | | | | |
| | 78726-1054 | WHITE | WHITE | 2.10 | 1.57 | | | | |
| | 78726-1042 | | | 2.40 | 1.57 | | | | |
| | 78726-1029 | | | 3.50 | 3.00 | | | | |
| | 78726-1055 | | | 2.10 | 1.57 | | | | |
| | 78726-1043 | BLUE | BLUE | 2.40 | 1.57 | | | | |
| | 78726-1010 | | | 2.67 | 1.57 | | | | |
| | 78726-1011 | | | 3.18 | 2.36 | | | | |
| | 78726-1030 | | | 3.50 | 3.00 | | | | |
| | 78726-1023 | | | BLUE | WHITE | | | | 3.18 |
| | 78726-1064 | YELLOW | WHITE | 2.40 | 1.57 | | | | |
| | 78726-0081 | BLACK | BLACK | 3.18 | 2.36 | | | | |
| 78726-3005 | WHITE | | | 3.18 | 2.36 | | | | |
| 78726-3052 | | | | 2.10 | 1.57 | | | | |
| 78726-4039 | | | | BLACK | 2.40 | 1.57 | | | |
| 78726-4040 | | | | WHITE | 2.40 | 1.57 | | | |

THIS DRAWING CONTAINS INFORMATION THAT IS PROPRIETARY TO MOLEX ELECTRONIC TECHNOLOGIES, LLC AND SHOULD NOT BE USED WITHOUT WRITTEN PERMISSION

| | | | | | |
|--|------------------------|---|---|-----------------|----------------|
| DIMENSION UNITS | SCALE | CURRENT REV DESC: REMOVED OBSOLETE PART NUMBER AS PER PCN#511698. | molex | | |
| mm | NTS | | | | |
| GENERAL TOLERANCES (UNLESS SPECIFIED) | | | DDR4 DIMM, 0.85MM PITCH 288CKTS, VERTICAL TH | | |
| ANGULAR TOL | ± 3.0 ° | EC NO: 742551 | PRODUCT CUSTOMER DRAWING | | |
| 4 PLACES | ± | DRWN: SANTHN 2023/04/20 | DOCUMENT NUMBER | | |
| 3 PLACES | ± | CHK'D: GGA 2023/05/12 | SD-78726-002 | | |
| 2 PLACES | ± 0.2 | APPR: GGA 2023/05/12 | DOC TYPE | DOC PART | REVISION |
| 1 PLACE | ± | INITIAL REVISION: | PSD | 000 | A9 |
| 0 PLACES | ± | DRWN: EFLEE 2012/03/08 | SHEET NUMBER | | |
| | | APPR: EKSOH 2012/05/09 | 5 OF 6 | | |
| DRAFT WHERE APPLICABLE MUST REMAIN WITHIN DIMENSIONS | THIRD ANGLE PROJECTION | DRAWING | SERIES | MATERIAL NUMBER | CUSTOMER |
| | | A3-SIZE | 78726 | SEE TABLE | GENERAL MARKET |

| CKT SIZE | ASSEMBLY PART NO. | HOUSING COLOR | LATCH COLOR | DIM "P" | RECOMMENDED PCB THICKNESS | PLATING OPTION | | PRODUCT SPEC. NO. | PACKAGING SPEC. NO. |
|------------|-------------------|---------------|-------------|---------|---------------------------|--|--|-------------------|---------------------|
| | | | | | | TERMINAL | FORKLOCK | | |
| 288 | 78726-1045 | BLACK | BLACK | 2.40 | 1.57 | 0.38 MICROMETER (15 MICROINCH) MIN GOLD ON CONTACT | 1 MICROMETER (40 MICROINCH) MIN TIN OVERALL (PRE-PLATED) | PS-78726-002 | PK-78726-001 |
| | 78726-1012 | | | 2.67 | 1.57 | | | | |
| | 78726-1013 | | | 3.18 | 2.36 | | | | |
| | 78726-1032 | | | 3.50 | 3.00 | | | | |
| | 78726-1046 | BLACK | WHITE | 2.40 | 1.57 | | | | |
| | 78726-1033 | | | 3.50 | 3.00 | | | | |
| | 78726-1059 | WHITE | BLACK | 2.10 | 1.57 | | | | |
| | 78726-1047 | | | 2.40 | 1.57 | | | | |
| | 78726-1048 | WHITE | WHITE | 2.40 | 1.57 | | | | |
| | 78726-1018 | | | 2.67 | 1.57 | | | | |
| | 78726-1035 | | | 3.50 | 3.00 | | | | |
| | 78726-1049 | | | 2.40 | 1.57 | | | | |
| | 78726-1020 | BLUE | BLUE | 2.67 | 1.57 | | | | |
| | 78726-1021 | | | 3.18 | 2.36 | | | | |
| | 78726-1036 | BLUE | WHITE | 3.50 | 3.00 | | | | |
| | 78726-1050 | | | 2.40 | 1.57 | | | | |
| | 78726-1037 | | | 3.50 | 3.00 | | | | |
| | 78726-1072 | | | 3.50 | 3.00 | | | | |
| | 78726-3012 | BLACK | BLACK | 2.67 | 1.57 | | | | |
| | 78726-3032 | | | 3.50 | 3.00 | | | | |
| 78726-3020 | BLUE | BLUE | 2.67 | 1.57 | | | | | |
| 78726-3036 | | | 3.50 | 3.00 | | | | | |
| | | | | | | | | | 787260003 |

THIS DRAWING CONTAINS INFORMATION THAT IS PROPRIETARY TO MOLEX ELECTRONIC TECHNOLOGIES, LLC AND SHOULD NOT BE USED WITHOUT WRITTEN PERMISSION

| | | | | | |
|--|---------|---|---|-----------------|----------------|
| DIMENSION UNITS | SCALE | CURRENT REV DESC: REMOVED OBSOLETE PART NUMBER AS PER PCN#511698. | molex | | |
| mm | NTS | | | | |
| GENERAL TOLERANCES (UNLESS SPECIFIED) | | EC NO: 742551 DRWN: SANTHN 2023/04/20 CHK'D: GGA 2023/05/12 APPR: GGA 2023/05/12 | DDR4 DIMM, 0.85MM PITCH 288CKTS, VERTICAL TH | | |
| ANGULAR TOL | ± 3.0 ° | | PRODUCT CUSTOMER DRAWING | | |
| 4 PLACES | ± | | DOCUMENT NUMBER | | |
| 3 PLACES | ± | | SD-78726-002 | | |
| 2 PLACES | ± 0.2 | | DOC TYPE | | |
| 1 PLACE | ± | | PSD | | |
| 0 PLACES | ± | DOC PART | | | |
| DRAFT WHERE APPLICABLE MUST REMAIN WITHIN DIMENSIONS | | THIRD ANGLE PROJECTION | | DRAWING | SHEET NUMBER |
| | | | | A3-SIZE | 6 OF 6 |
| | | SERIES | | MATERIAL NUMBER | CUSTOMER |
| | | 78726 | | SEE TABLE | GENERAL MARKET |
| | | INITIAL REVISION: | | REVISION | |
| | | DRWN: EFLEE 2012/03/08 APPR: EKSOH 2012/05/09 | | 000 | A9 |