

# H1X:2UCFM - Housing

1415787

<https://www.phoenixcontact.com/us/products/1415787>

Please be informed that the data shown in this PDF document is generated from our online catalog. Please find the complete data in the user documentation. Our general terms of use for downloads are valid.



HEAVYPORT B6 panel mounting base, with single locking latch, with plastic protective cover, with stainless steel front plate connections, 2x USB Type A/A (female/cable)

## Your advantages

- Good shielding in the event of electromagnetic interference

## Commercial data

Item number	1415787
Packing unit	1 pc
Sales key	BF69
Product key	BF7EGX
GTIN	4055626805863
Weight per piece (including packing)	22.22 g
Weight per piece (excluding packing)	22.22 g
Country of origin	US

# H1X:2UCFM - Housing

1415787

<https://www.phoenixcontact.com/us/products/1415787>

## Technical data

### Product properties

Product type	Stackable housing set
Housing type	Panel mounting base
Application	Standard
Type	B6
Protective cover	yes

### Connection data

Tightening torque	1.5 ... 2 Nm
-------------------	--------------

### Dimensions

Dimensional drawing	
Width	53 mm
Height	30.5 mm
Length	80.5 mm
Drill hole distance, horizontal	70 mm
Drill hole distance, vertical	32 mm
Hole diameter	4.5 mm

### Installation dimensions

Width of the assembly cutout	35 mm
Length of the assembly cutout	52 mm

### Material specifications

Seal material	NBR, conductive NBR, conductive
Housing material	Die-cast aluminum, salt water resistant
Housing surface material	uncoated
Material, protective cover	PA
Locking latch material	Polyamide

### Connector

Contact insert design	with 2x USB Type A/A 2.0
-----------------------	--------------------------

### Environmental and real-life conditions

#### Ambient conditions

Degree of protection	IP66 IP67
Impact strength	IK08

# H1X:2UCFM - Housing

1415787

<https://www.phoenixcontact.com/us/products/1415787>



Ambient temperature (operation)

-40 °C ... 125 °C (Housing)

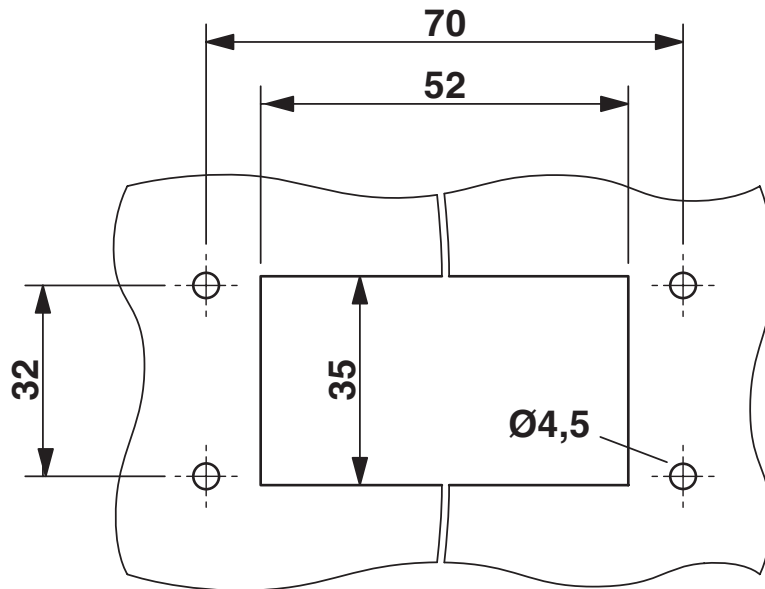
# H1X:2UCFM - Housing

1415787

<https://www.phoenixcontact.com/us/products/1415787>

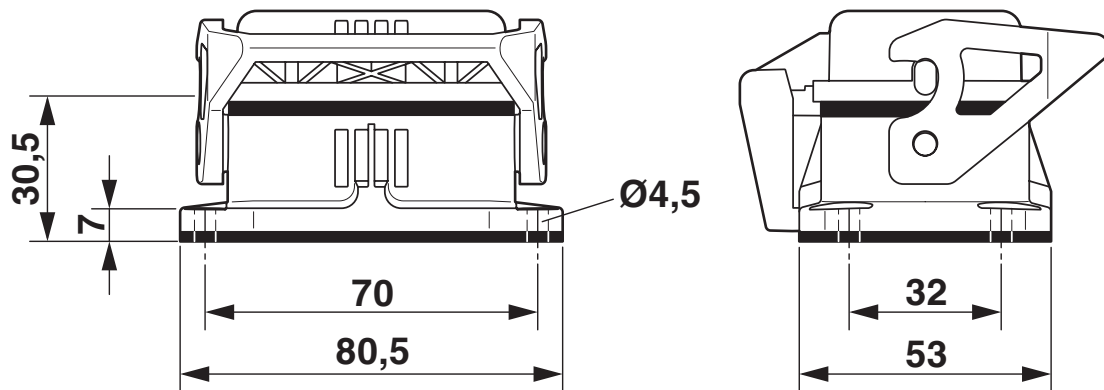
## Drawings

Dimensional drawing



Mounting cutout

Dimensional drawing



Dimensional drawing

# H1X:2UCFM - Housing

1415787

<https://www.phoenixcontact.com/us/products/1415787>



## Classifications

### ECLASS

ECLASS-11.0	27440101
ECLASS-12.0	27440113
ECLASS-13.0	27440113

## Environmental product compliance

### China RoHS

Environment friendly use period (EFUP)	EFUP-50
	An article-related China RoHS declaration table can be found in the download area for the respective article under "Manufacturer declaration". For all articles with EFUP-E, no China RoHS declaration table issued and required.

### EU REACH SVHC

REACH candidate substance (CAS No.)	No substance above 0.1 wt%
-------------------------------------	----------------------------

# H1X:2UCFM - Housing

1415787

<https://www.phoenixcontact.com/us/products/1415787>



## Accessories

### C-SCFFI 2,5/6,3X0,8 - Connector

3240547

<https://www.phoenixcontact.com/us/products/3240547>



Slip-on sleeve, fully isolated, blue, 1.5 ... 2.5 mm<sup>2</sup>, for plug 6.3 x 0.8 mm

---

### C-SCFFI 6/6,3X0,8 - Connector

3240541

<https://www.phoenixcontact.com/us/products/3240541>



Slip-on sleeve, fully insulated, yellow, 4 ... 6 mm<sup>2</sup>, for 6.3 x 0.8 mm plugs

# H1X:2UCFM - Housing

1415787

<https://www.phoenixcontact.com/us/products/1415787>



## C-SCFFI 1,5/6,3X0,8 - Connector

3240538

<https://www.phoenixcontact.com/us/products/3240538>



Slip-on sleeve, fully isolated, red, 0.5 ... 1.5 mm<sup>2</sup>, for plug 6.3 x 0.8 mm

---

## C-SCFFI 2,5/4,8X0,8 - Connector

3240540

<https://www.phoenixcontact.com/us/products/3240540>



Slip-on sleeve, fully isolated, blue, 1.5 ... 2.5 mm<sup>2</sup>, for plug 4.8 x 0.8 mm



# H1X:2UCFM - Housing

1415787

<https://www.phoenixcontact.com/us/products/1415787>



## C-SCFFI 2,5/4,8X0,5 - Connector

3240539

<https://www.phoenixcontact.com/us/products/3240539>



Slip-on sleeve, fully isolated, blue, 1.5 ... 2.5 mm<sup>2</sup>, for plug 4.8 x 0.5 mm

---

## C-SCFFI 1,5/4,8X0,8 - Connector

3240537

<https://www.phoenixcontact.com/us/products/3240537>



Slip-on sleeve, fully isolated, red, 0.5 ... 1.5 mm<sup>2</sup>, for plug 4.8 x 0.8 mm

# H1X:2UCFM - Housing

1415787

<https://www.phoenixcontact.com/us/products/1415787>



## C-SCFFI 1,5/4,8X0,5 - Connector

3240536

<https://www.phoenixcontact.com/us/products/3240536>



Slip-on sleeve, fully isolated, red, 0.5 ... 1.5 mm<sup>2</sup>, for plug 4.8 x 0.5 mm

---

Phoenix Contact 2024 © - all rights reserved

<https://www.phoenixcontact.com>

Phoenix Contact USA  
586 Fulling Mill Road  
Middletown, PA 17057, United States  
(+717) 944-1300  
[info@phoenixcon.com](mailto:info@phoenixcon.com)