

16

1631 01

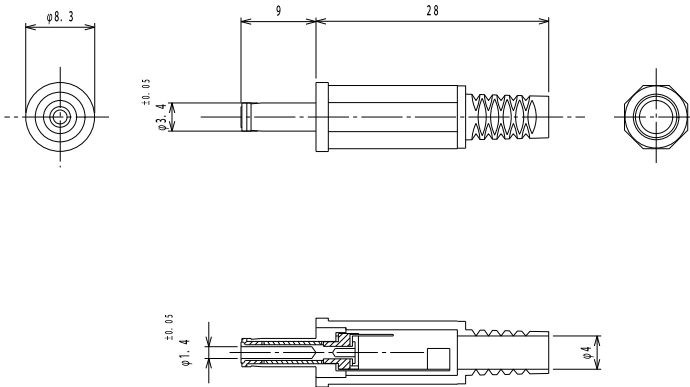
Power supply connectors



Power supply plug, straight version, with solder eyes and bend protection

16

1631 01



Environmental conditions

Temperature range -20 °C/+70 °C

Materials

| | |
|-----------------|-------------------------|
| Insulating body | PC |
| Contact | Cu alloy, nickel-plated |
| Insulation | PVC/ebonite |
| Housing | PE |

Mechanical data

| | |
|----------------|--------|
| Outer diameter | 3.4 mm |
| Inner diameter | 1.4 mm |

Connectable conductors for solder area

| | |
|----------------|--------|
| Cable diameter | 4.0 mm |
|----------------|--------|

Electrical data (at T_{amb} 20 °C)

| | |
|-----------------------|------------|
| Rated current | 0.5 A |
| Nominal voltage | 12 V DC |
| Rated voltage | 12 V DC |
| Rated impulse voltage | 500 V/60 s |
| Insulation resistance | ≥ 100 MΩ |

Associated products

| | | | |
|--------------|-----------|-----------|--|
| Counterparts | | | |
| ☞ 1613 12 | ☞ 1613 20 | ☞ 1613 26 | |
| ☞ 1614 17 | ☞ 1614 22 | | |

16

1631 01

| Designation | Pole Number | PU (Pieces) | MDQ (Pieces) |
|-------------|-------------|-------------|--------------|
| 1631 01 | 2 | 100 | 500 |