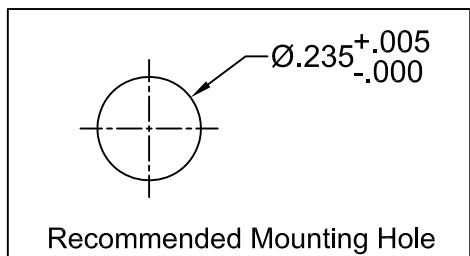
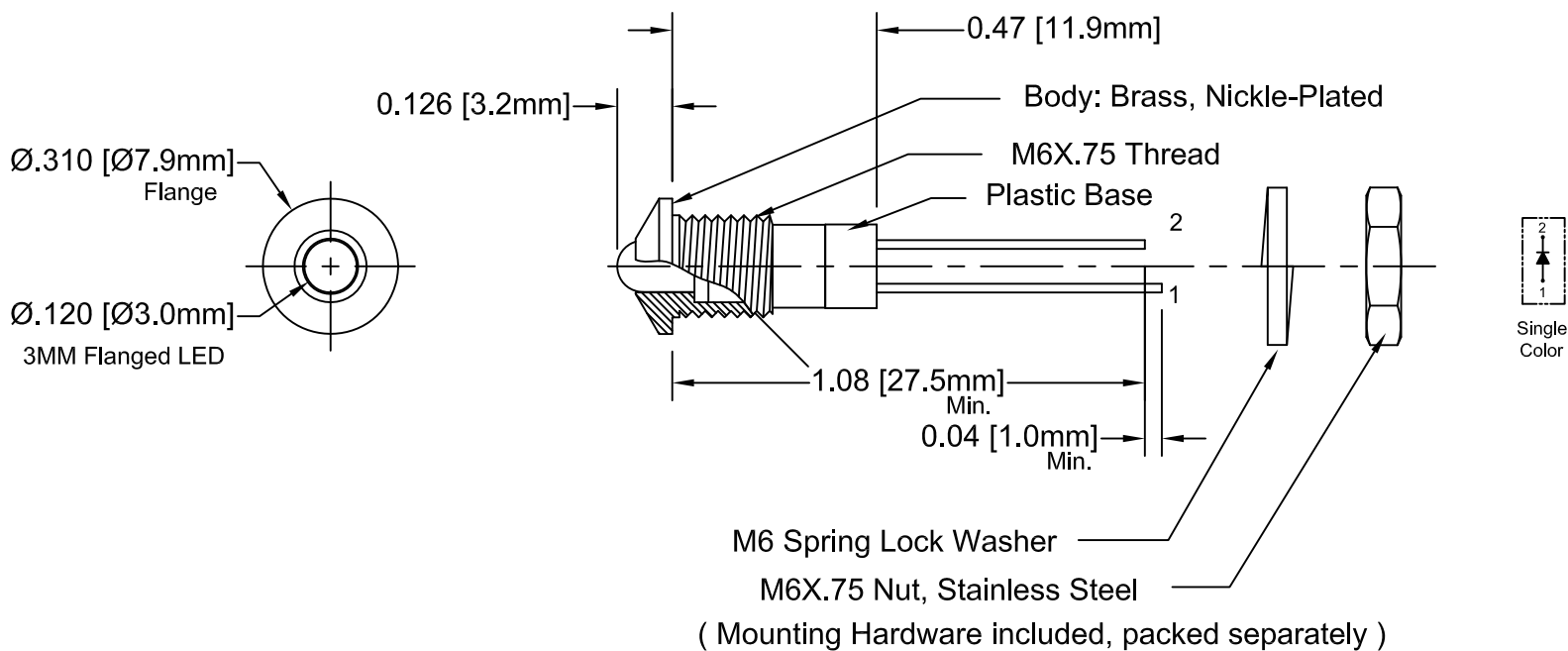


570 Series

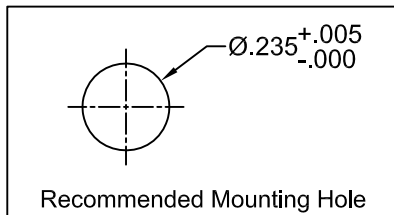
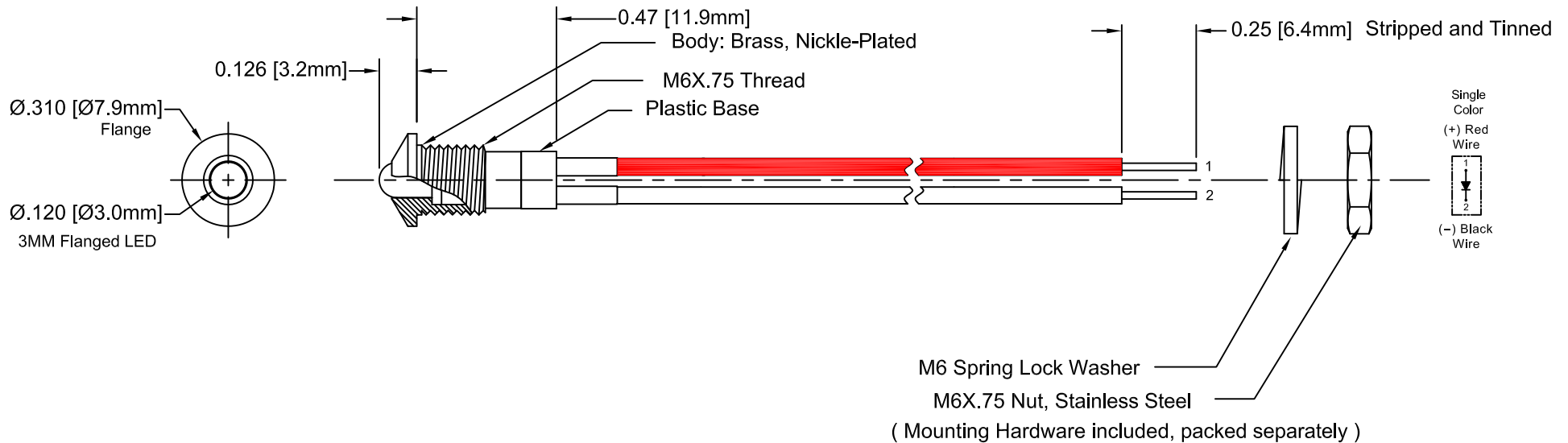


ABSOLUTE MAXIMUM RATINGS (Ta = 25°C)

REVERSE VOLTAGE _____	5V
REVERSE CURRENT (VR=5V) _____	100µA
OPERATING TEMPERATURE RANGE _____	-40°C ~ 85°C
STORAGE TEMPERATURE _____	-40°C ~ 100°C
LEAD SOLDERING TEMPERATURE (1/16" FROM BODY) _____	260°C for 5 Seconds

STANDARD TOLERANCE (UNLESS OTHERWISE SPECIFIED)		MARL MARL BUSINESS PARK, ULVERSTON, UK. LA12 9BN Tel: +44 (0)1229 582 430. Web: www.leds.co.uk
DECIMALS	ANGULAR	
.X ± .1	X° ± 1°	
.XX ± .02		TITLE: Std Metal Panel Mount Indicator PART NO: 570 Series SHEET # 1 OF 3
.XXX ± .010		
Provisional		CAD GENERATED DOCUMENT, DO NOT MEASURE DRAWING.

570 Series (Flying Leads version)





ABSOLUTE MAXIMUM RATINGS (Ta = 25°C)

REVERSE VOLTAGE _____	5V
REVERSE CURRENT (VR=5V) _____	100µA
OPERATING TEMPERATURE RANGE _____	-40°C ~ 85°C
STORAGE TEMPERATURE _____	-40°C ~ 100°C
LEAD SOLDERING TEMPERATURE (1/16" FROM BODY) _____	260°C for 5 Seconds

STANDARD TOLERANCE (UNLESS OTHERWISE SPECIFIED)		MARL	MARL BUSINESS PARK, ULVERSTON, UK. LA12 9BN Tel: +44 (0)1229 582 430. Web: www.leds.co.uk
DECIMALS	ANGULAR		
.X ± .1	X° ± 1°		
.XX ± .02		TITLE: Std Metal Panel Mount Indicator	
.XXX ± .010		PART NO: 570 Series	
Provisional		SHEET # 2 OF 3	
<small>CAD GENERATED DOCUMENT, DO NOT MEASURE DRAWING.</small>			

Marl Part No.	Chip			Lens Appearance	Electro-Optical Data @20mA				Viewing Angle 2 Ø 1/2 (Deg)	LED P/N	Termination
	Material	Peak Wave Length	Emitted Colour		If (mA)	Vf (V)		Iv (mcd)			
						MAX	TYP				
570-320-04	GaN/SiC	430	BLUE	DIFFUSED	25	4	4.5	10	35	320	PINS
570-320-04-40											12IN FLYING LEADS
570-314-04	GaP/GaP	568	GREEN	DIFFUSED	30	2.1	2.8	25	35	314	PINS
570-314-04-40											12IN FLYING LEADS
570-305-04	GaP/GaP	700	RED	DIFFUSED	20	2.1	2.8	2	20	305	PINS
570-305-04-40											12IN FLYING LEADS
570-311-04	GaAsp/GaP	590	YELLOW	DIFFUSED	30	2	2.8	20	35	311	PINS
570-311-04-40											12IN FLYING LEADS

STANDARD TOLERANCE (UNLESS OTHERWISE SPECIFIED)		 MARL BUSINESS PARK, ULVERSTON, UK. LA12 9BN Tel: +44 (0)1229 582 430. Web: www.leds.co.uk
DECIMALS	ANGULAR	
.X ± .1	X° ± 1°	
.XX ± .02		 TITLE: Std Metal Panel Mount Indicator
.XXX ± .010		
Provisional		PART NO: 570 Series
		SHEET # 3 OF 3
CAD GENERATED DOCUMENT, DO NOT MEASURE DRAWING.		