

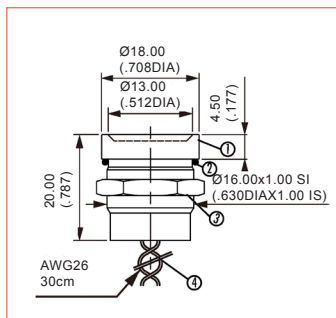
Piezo switches - latching



Product overview

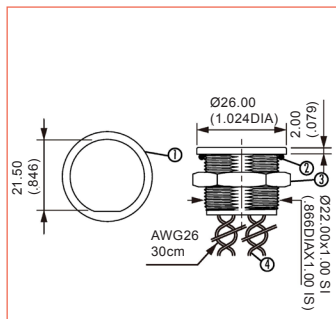
Latching piezo switches behave like mechanical switches with the advantages of exceptionally rugged construction.

- Normally open latching operation (requires a supply voltage)
- Choice of sizes and styles



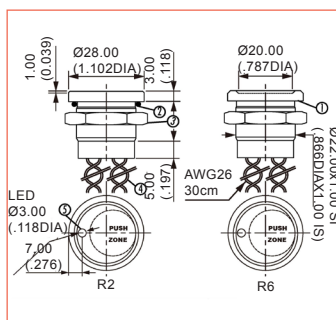
SPECIFICATION	
Operating voltage	1-24V AC/DC
Switching current	30mA
Actuation force	6-15N
Operating temperature	-40°C to +70°C
Ingress protection	IP68
Lifetime	50 million operations
ON' resistance	<20Ω
OFF' resistance	>5mΩ

PART NO.	SIZE	COLOUR	STYLE
CPS16LNF-ALNA	16mm	Natural	Non-illuminated
CPS16LNF-ALGN	16mm	Green	Non-illuminated
CPS16LNF-ALRD	16mm	Red	Non-illuminated



SPECIFICATION	
Operating voltage	1-24V AC/DC
Switching current	30mA
Actuation force	6-15N
Operating temperature	-40°C to +70°C
LED operating voltage	12V DC max or 24V DC max
LED max current consumption	(12V) (24V)
Red	18mA 18mA
Green	9mA 9mA
Blue	27mA 16mA
Ingress protection	IP69
Lifetime	50 million operations
Material	POM

PART NO.	SIZE	COLOUR	STYLE	VOLTAGE	LEDS
CPS22LIF-PLWH-12RGB	22mm	Natural	illuminated	12V	RGB
CPS22LIF-PLWH-24RGB	22mm	Natural	illuminated	12V	RGB



SPECIFICATION	
Operating voltage	1-24V AC/DC
Switching current	30mA
Actuation force	6-15N
Operating temperature	-40°C to +70°C
Ingress protection	IP68
Lifetime	50 million operations
ON' resistance	<20Ω
OFF' resistance	>5mΩ

PART NO.	SIZE	COLOUR	STYLE	LEDS
CPS22LIF-ALNA-24RG	22.5mm	Natural	Point illuminated	Red/green
CPS22LIR-ALNA-24RG	22.5mm	Natural	Point illuminated	Red/green