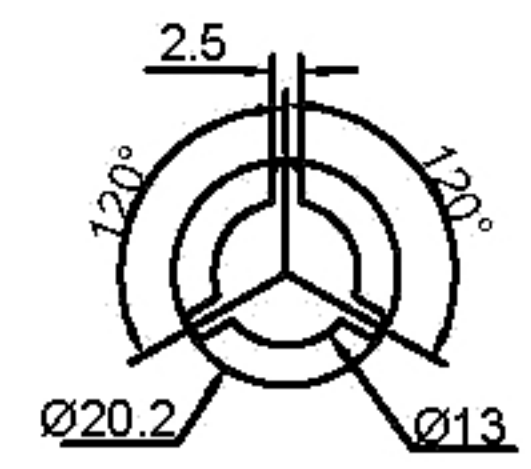
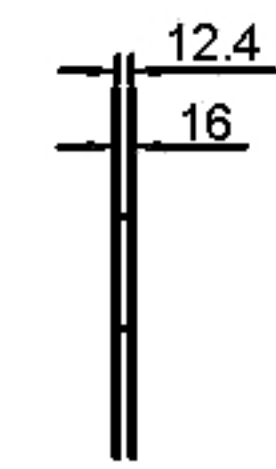
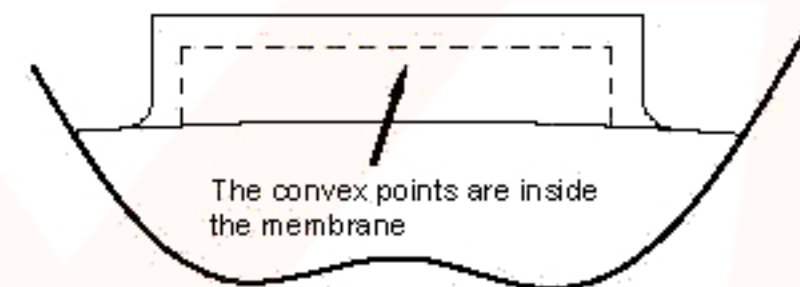
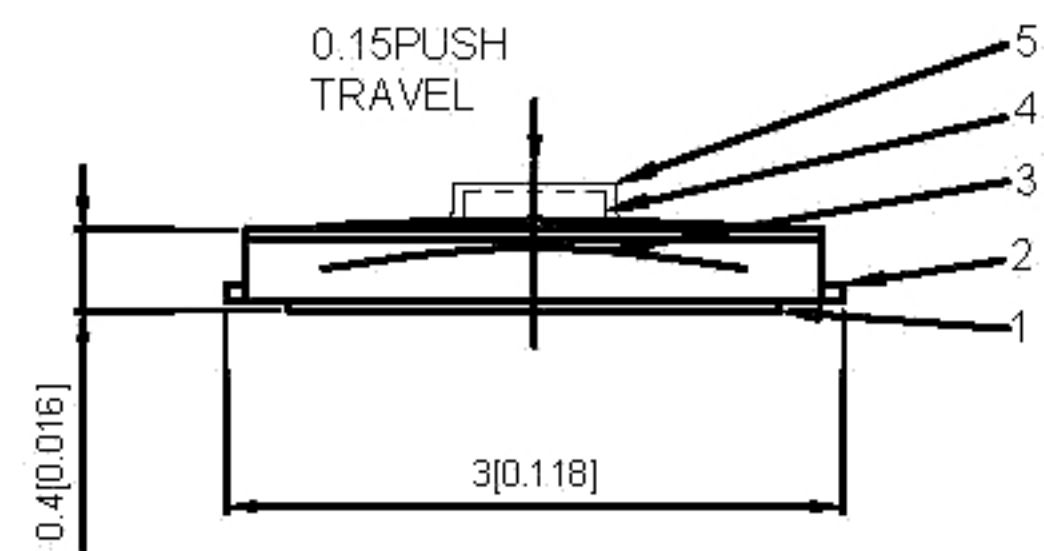


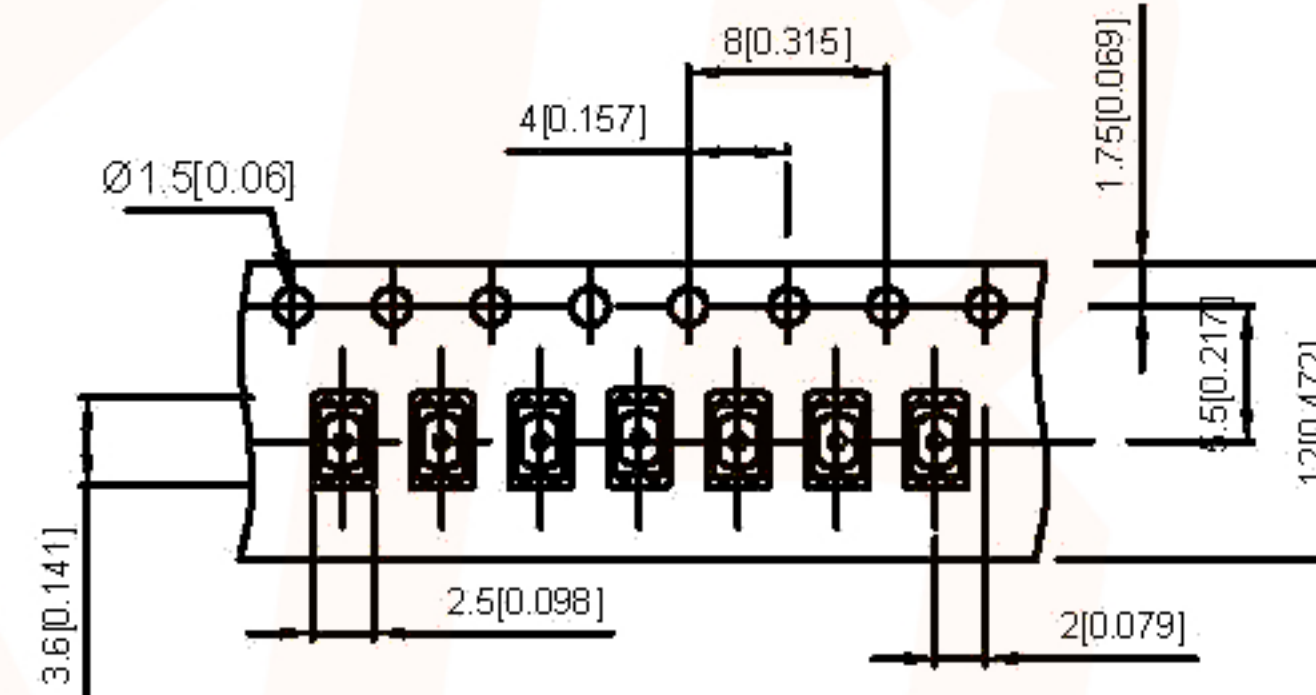
SC 1:150



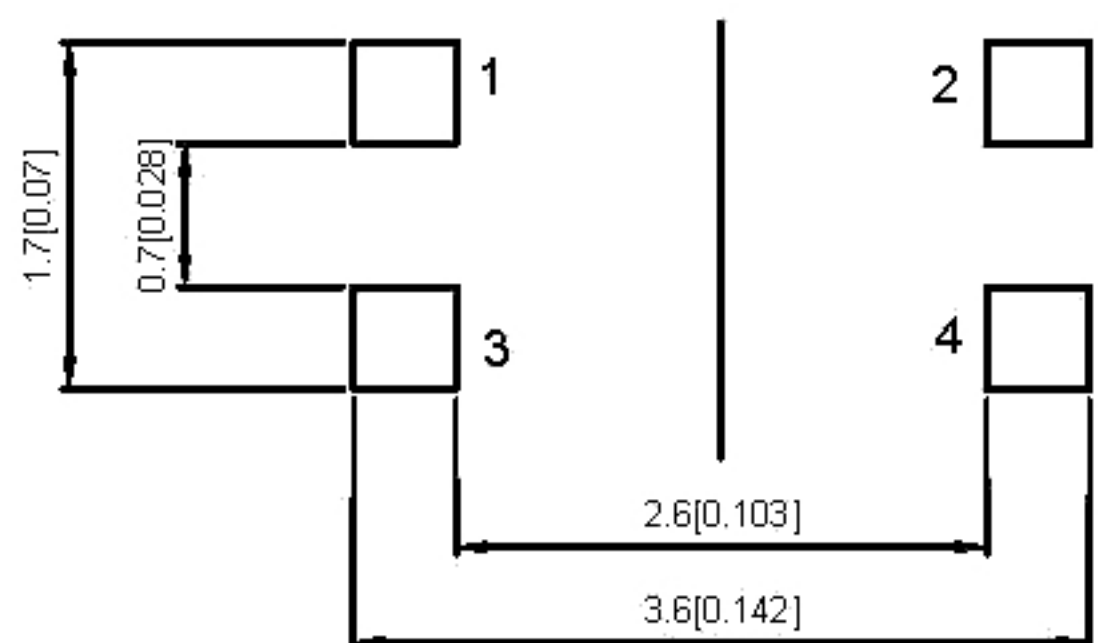
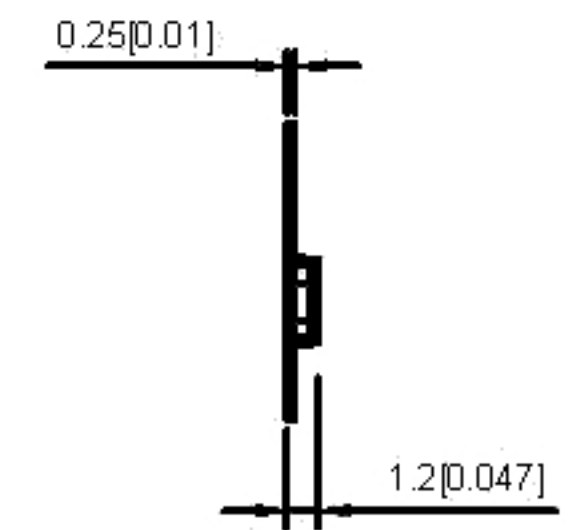
DETAL:A
SC
10:1



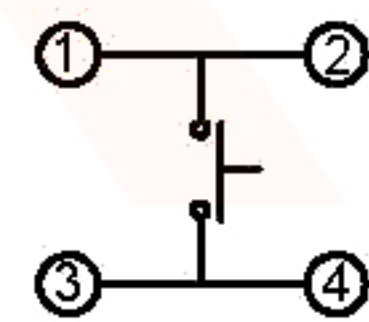
TEASCALE:2.5/1



SC 1:10



Recommended PAD Layout
Recommended solder thickness:T=0.10±0.01



CIRCUIT DIAGRAM

PAPT NO	TS-1928-X
Operating Force	B:160gf C:260gf

- 1.RATING:DC 12V,50mA MAX
- 2.TRAVEL:0.15±0.1mm
- 3.LIFE:300,000cycles
- 4.PACKAGE:10000Pcs/Reel

ITEM	PART NAME	QTY	MATERIAL	FINISH
5	COVER	1	PA	WHITE
4	NOB	1	PI	BLACK
3	CONTACT	2	SUS	Ag-Plate
2	TERMINAL	2	PHOSPHOR BRONZE	Ag-Plate
1	CASE	1	PPA	BLACK

DSND	DATE	SCALE: N/A	MODEL TYPE:	TACT SWITCH	
DWN	DATE	VIEW:	PART NO.:		
CHKD	DATE	UNIT: mm/in	DWG NO.:	TS-1928-X	
APPD	DATE	SIZE: A4	WEIGHT	SHEET	REVISION
UNSPECIFIED TOLERANCES			1.0g	1/1	A0

MARK	DESCRIPTION	DATE	REVISED	APPROVED	units: mm
ΔX					tolerance: X.X ±0.2mm
ΔX					X.XX ±0.1mm
ΔX					X.XXX ±0.05mm