

SENCITY® Omni-S 3x3 Wi-Fi MIMO Antenna

1399.99.0125

Properties

- Small omni-directional MIMO antenna for Wi-Fi + LTE 2600 applications
- Dual band Wi-Fi / WLAN and LTE 2600 3 x 3 MIMO antenna
- Supports the 2.4 GHz and 5 GHz and LTE 2.5 to 2.7 GHz bands
- Three ports each with broad-band antenna radiator technology
- IEEE 802.11 b/g/a/h/p and 802.11 n / ac
- IP65 rating



Electrical bands		
	Band 1	Band 2
Frequency	2400 MHz ... 2690 MHz	5150 MHz ... 5935 MHz
VSWR	1.7	1.7
Impedance	50 Ω	50 Ω
Gain	5 dBi	6 dBi
HPBW vertical	65 °	65 °
HPBW horizontal	360 °	360 °
Isolation between Ports	20 dB	20 dB
Ambient Temperature	25 °C	25 °C
Composite Power max	40 W	30 W

Electrical remarks

Remarks	Three cable pigtails with connector SMA reverse (male) directly attached to the antenna body
---------	--

Ports

	Port 1	Port 2	Port 3
Connector	SMA-reverse, plug (male)	SMA-reverse, plug (male)	SMA-reverse, plug (male)
Cable type	S_04262_D-09	S_04262_D-09	S_04262_D-09
Cable length	0.9 m	0.9 m	0.9 m
Polarization	vertical	vertical	vertical

SENCITY® Omni-S 3x3 Wi-Fi MIMO Antenna

1399.99.0125

Ports			
	Port 1	Port 2	Port 3
DC grounded	Yes	Yes	Yes

Connections			
	Port 1	Port 2	Port 3
Port number	Port 1	Port 2	Port 3
Band 1	✓	✓	✓
Band 2	✓	✓	✓

Mechanical data	
Weight	0.6 kg
Dimensions	32 mm x 282 mm x 92 mm (Height x Width x Depth)

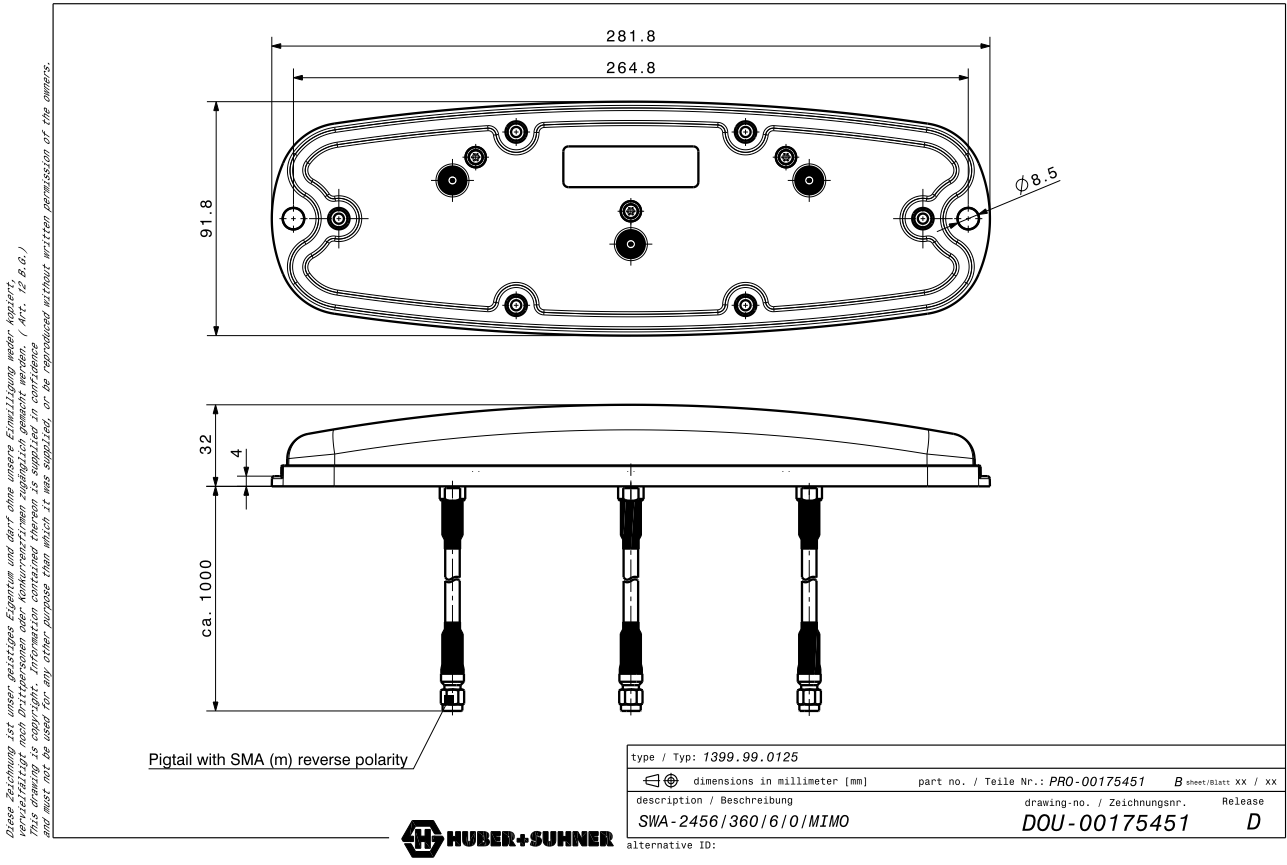
Interface and material data	
Radome material	PC (Polycarbonate)
Radome colour	RAL 9010 (white)
Back plate/base plate material	Aluminum

Environmental data	
Operation temperature	-40 °C ... 85 °C
Storage temperature	-40 °C ... 85 °C
Transport temperature	-40 °C ... 85 °C
Environment (application)	Indoor
Ingress protection (IP Rating)	Mated / IP65

Environmental remarks	
Operating conditions: ETSI EN 300 019-2-3 V2.2.2 (2003-04) T3.3	
Vibration and mechanical shock: ETSI EN 300-19-2-3 T3.3	
Flammability rating antenna radome: UL 94 V0 / RF pigtail cable: UL 1581 § 1080 (VW-1)	
UV protection antenna: UL746C f1 / RF pigtail cable: ISO 4892-2A	

SENCITY® Omni-S 3x3 Wi-Fi MIMO Antenna
 1399.99.0125

Outline drawing



*Diese Zeichnung ist unser geistiges Eigentum und darf ohne unsere Einwilligung weder kopiert, reproduziert, noch druckvervielfältigt oder in irgendeiner Weise veröffentlicht werden. (Art. 12 i. d. V. G.)
 This drawing is our intellectual property and may not be used for any other purpose than which it was supplied, or be reproduced without written permission of the owners.*



HUBER+SUHNER is certified by ISO 9001, ISO 14001, ISO 45001, IATF 16949, AS/EN 9100 and ISO/TS 22163-IRIS. Waiver: Facts and figures herein are for information only and do not represent any warranty of any kind.
 DOCUMENT PIM-P3212 / Date of publication: 12.06.2024 / uncontrolled copy