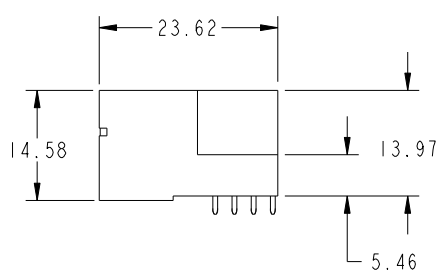
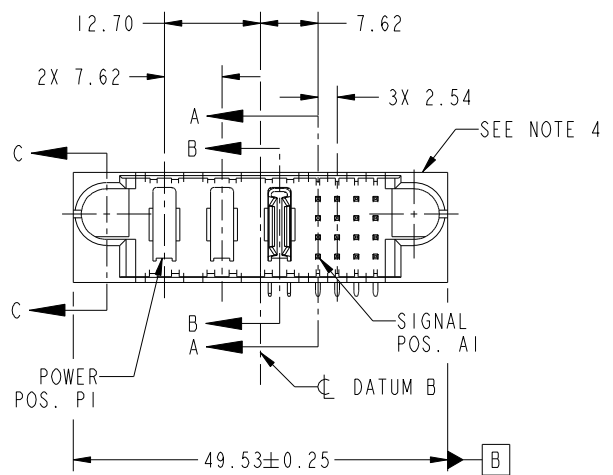
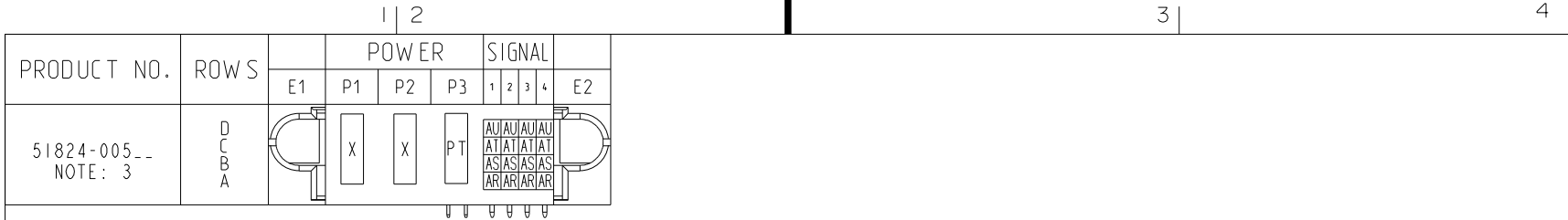


Tous droits strictement reserves. Reproduction ou communication a des tiers interdite sous quelque forme que ce soit sans autorisation ecrite du proprietaire. Propriete de c.FCI. Droits de reproduction FCI.

All rights strictly reserved. Reproduction or issue to third parties in any form whatever is not permitted without written authority from the proprietor. Property of FCI. Copyright FCI.



CODE	DIM "M" MATING LENGTH	CONTACT TYPE
AU	[6.86]	SIGNAL
AT	[6.86]	SIGNAL
AS	[6.86]	SIGNAL
AR	[6.86]	SIGNAL
PT	[N/A]	POWER
X	OMITTED	

mat'l code				SEE NOTE		tolerances unless otherwise specified		CUSTOMER		FCI	
lir	ecn no.	dr	date	linear	0.X ±0.5	COPY		www.fciconnect.com		title	
A	DG08-0217	W D	08/18/08	angles	0.XX ±0.25	projection		3P + 16S		RIGHT ANGLE SOLDER HEADER	
					0.XXX ±0.10	MM		product family		code	
				dr	0° ±2°	scale		PwrBlade		213	
				enrg		1:1		size		sheet	
				chr				dwg no		1 of 4	
				appd				A		51824-005	
sheet index	revision sheet	A	A	A	A						
		1	2	3	4						

A

B

A

B

1 | 2

Pro/E

PDM: Rev: A

STAT: Released

Printed: Dec 20, 2010

3

4

cage code 2856

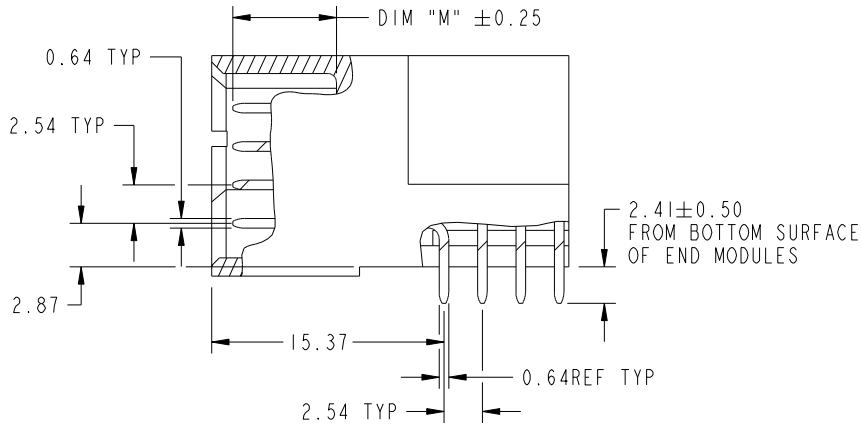
Tous droits strictement réservés. Reproduction ou communication a des tiers interdite sous quelque forme que ce soit sans autorisation écrite du propriétaire. Propriété de c.FCI. Droits de reproduction FCI.

All rights strictly reserved. Reproduction or issue to third parties in any form whatever is not permitted without written authority from the proprietor. Property of FCI. Copyright FCI.

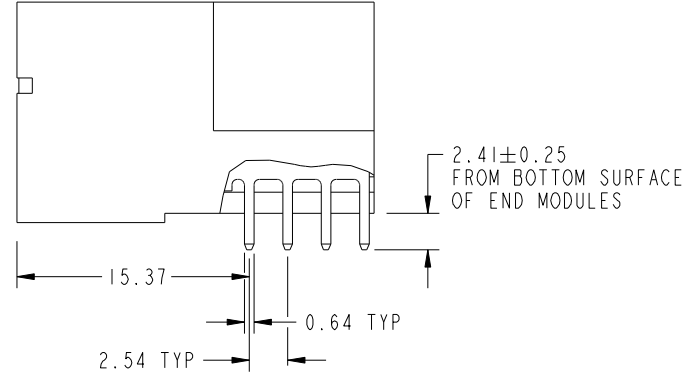


PRODUCT NUMBER

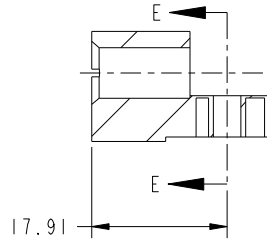
51824-005--
NOTE: 3



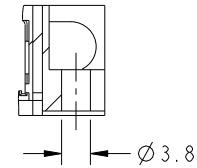
BROKEN-OUT SECTION A-A
SCALE 2:1



BROKEN-OUT SECTION B-B
SCALE 2:1



SECTION C-C



PARTIAL SECTION E-E

mat'l code		SEE NOTE		tolerances unless otherwise specified		CUSTOMER		 www.fciconnect.com	
lir	ecn no.	dr	date	linear	0.X ±0.5	COPY		title	
A					0.XX ±0.25	projection		3P + 16S	
				angles	0.XXX ±0.10			RIGHT ANGLE SOLDER HEADER	
				dr	0° ±2°			product family	
				enrg	Warren Du 07/07/08	MM		PwrBlade	
				chr	JEROME CHEN 07/07/08			code	
				appd	GARY HSIEH 07/07/08	1:1		213	
					JOSEPH HSIA 07/07/08			sheet	
sheet index	revision sheet							A 51824-005	
								2	

cage code 2856

Pro/E

PDM: Rev: A

STATUS: Released

Printed: Dec 20, 2010

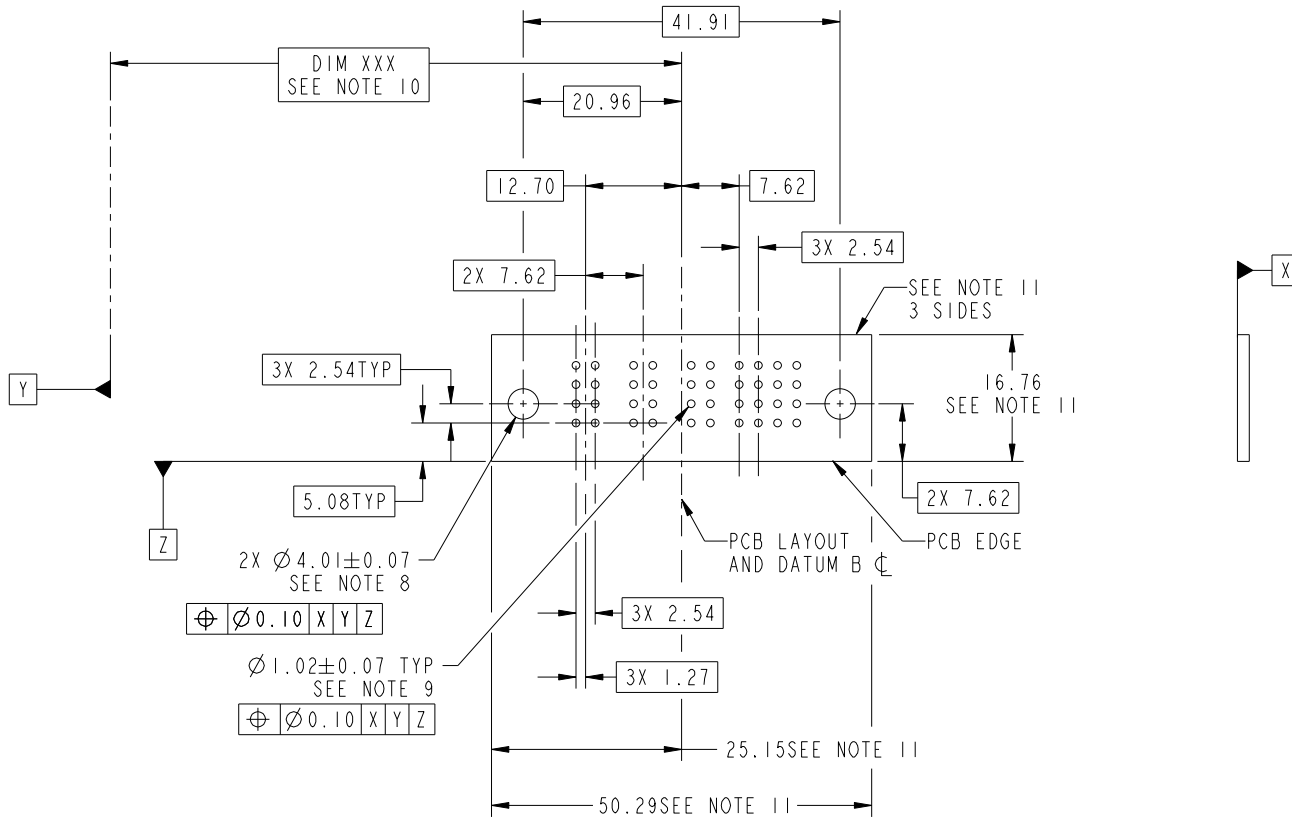
Tous droits strictement réservés. Reproduction ou communication a des tiers interdite sous quelque forme que ce soit sans autorisation écrite du propriétaire. Propriété de c.FCI. Droits de reproduction FCI.

All rights strictly reserved. Reproduction or issue to third parties in any form whatever is not permitted without written authority from the proprietor. Property of FCI. Copyright FCI.



PRODUCT NUMBER

51824-005--
NOTE: 3



RECOMMENDED PCB LAYOUT

mat'l code		SEE NOTE		tolerances unless otherwise specified		CUSTOMER		 www.fciconnect.com	
lfr	ecn no.	dr	date	linear	0.X ± 0.5	COPY		title	
A				linear	0.XX ± 0.25	projection		3P + 16S	
				angles	0.XXX ± 0.10			RIGHT ANGLE SOLDER HEADER	
					0° ± 2°	MM		product family PwrBlade	
				dr	Warren Du 07/07/08	scale		code	
				enrg	JEROME CHEN 07/07/08	1:1		213	
				chr	GARY HSIEH 07/07/08			sheet	
				appd	JOSEPH HSIA 07/07/08			3	
sheet index	revision sheet							size dwg no	
								A 51824-005	

cage code 28556

Pro/E

PDM: Rev: A

STATUS: Released

Printed: Dec 20, 2010

Tous droits strictement réservés. Reproduction ou communication a des tiers interdite sous quelque forme que ce soit sans autorisation écrite du propriétaire. Propriété de c.FCI. Droits de reproduction FCI.

All rights strictly reserved. Reproduction or issue to third parties in any form whatever is not permitted without written authority from the proprietor. Property of FCI. Copyright FCI.



1 | 2

3 |

4

PRODUCT NUMBER
51824-005-- NOTE: 3

NOTES:

1. DIMENSIONS AND TOLERANCES ARE IN ACCORDANCE WITH ASME Y14.5M, 1994 UNLESS OTHERWISE SPECIFIED.

CONNECTOR NOTES:

- 2. HOUSING MATERIAL: UL 94 V-0 GLASS FILLED HIGH-TEMP THERMOPLASTIC
POWER CONTACT MATERIAL: COPPER ALLOY
SIGNAL PIN MATERIAL: COPPER ALLOY
 - 3. 51824-005;51824-005LF PLATING SPEC. SEE PRINT:100641831
 - 4. MANUFACTURER'S NAME, P/N, AND DATE CODE TO APPEAR ON THIS SURFACE.
 - 5. PRODUCT SPECIFICATION GS-12-149.
APPLICATION SPECIFICATION BUS-20-067.
 - 6. PACKAGED IN TRAYS.
- PCB NOTES:
- 7. ALL HOLE DIAMETERS ARE FINISHED HOLE SIZE.
 - 8. MOUNTING HOLES, WHERE APPLICABLE, ARE UNPLATED.
 - 9. $\varnothing 1.151 \pm 0.025$ DRILLED HOLES PLATED WITH 0.008 MIN SnPb OR Sn OVER 0.03 TO 0.08 Cu PLATING TO ACHIEVE $\varnothing 1.02 \pm .07$ HOLE.
 - 10. "DIM XXX" TO BE DETERMINED BY THE CUSTOMER.
 - 11. CONNECTOR KEEP-OUT ZONE.

mat'l code		SEE NOTE 2		tolerances unless otherwise specified		CUSTOMER		www.fciconnect.com	
ltr	ecn no.	dr	date	linear	0.X ± 0.5	COPY		title	
A					0.XX ± 0.25	projection		3P + 16S	
				angles	0.XXX ± 0.10			RIGHT ANGLE SOLDER HEADER	
					0° $\pm 2°$			product family PwrBlade code	
				dr	Warren Du 07/07/08	scale		size	
				enrg	JEROME CHEN 07/07/08	1:1		dwg no	
				chr	GARY HSIEH 07/07/08			A 51824-005	
				appd	JOSEPH HSIA 07/07/08			sheet 213	
sheet index	revision sheet							4 of 4	

1 | 2

Pro/E

PDM: Rev: A

STATUS: Released

Printed: Dec 20, 2010

A

A

B

B

Mouser Electronics

Authorized Distributor

Click to View Pricing, Inventory, Delivery & Lifecycle Information:

[FCI / Amphenol:](#)

[51824-005LF](#)