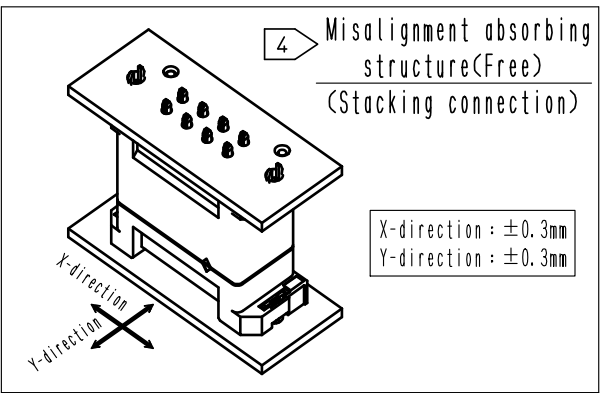
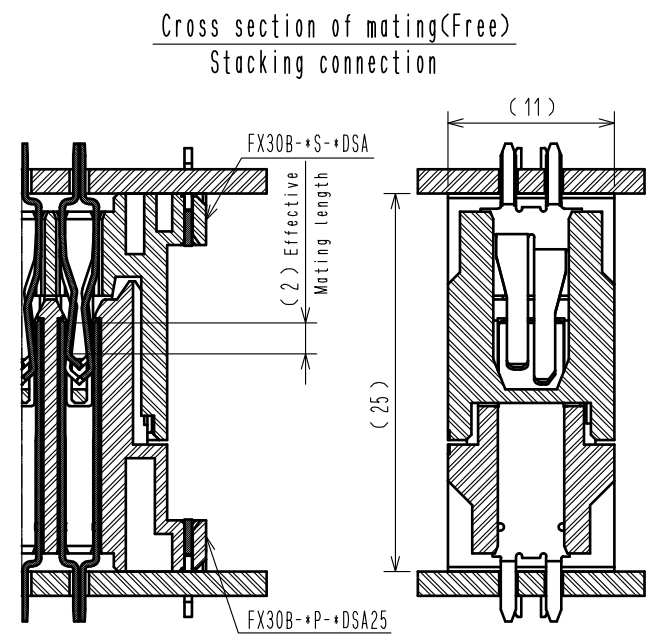
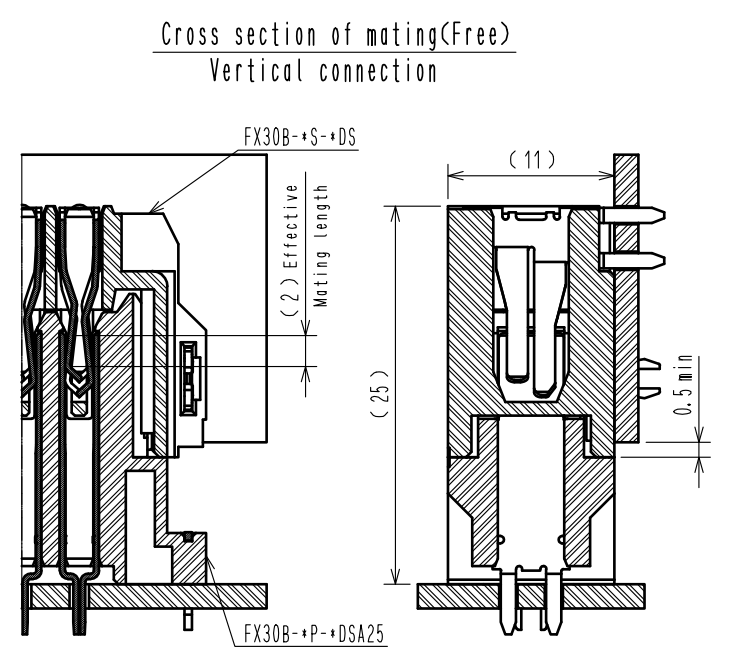
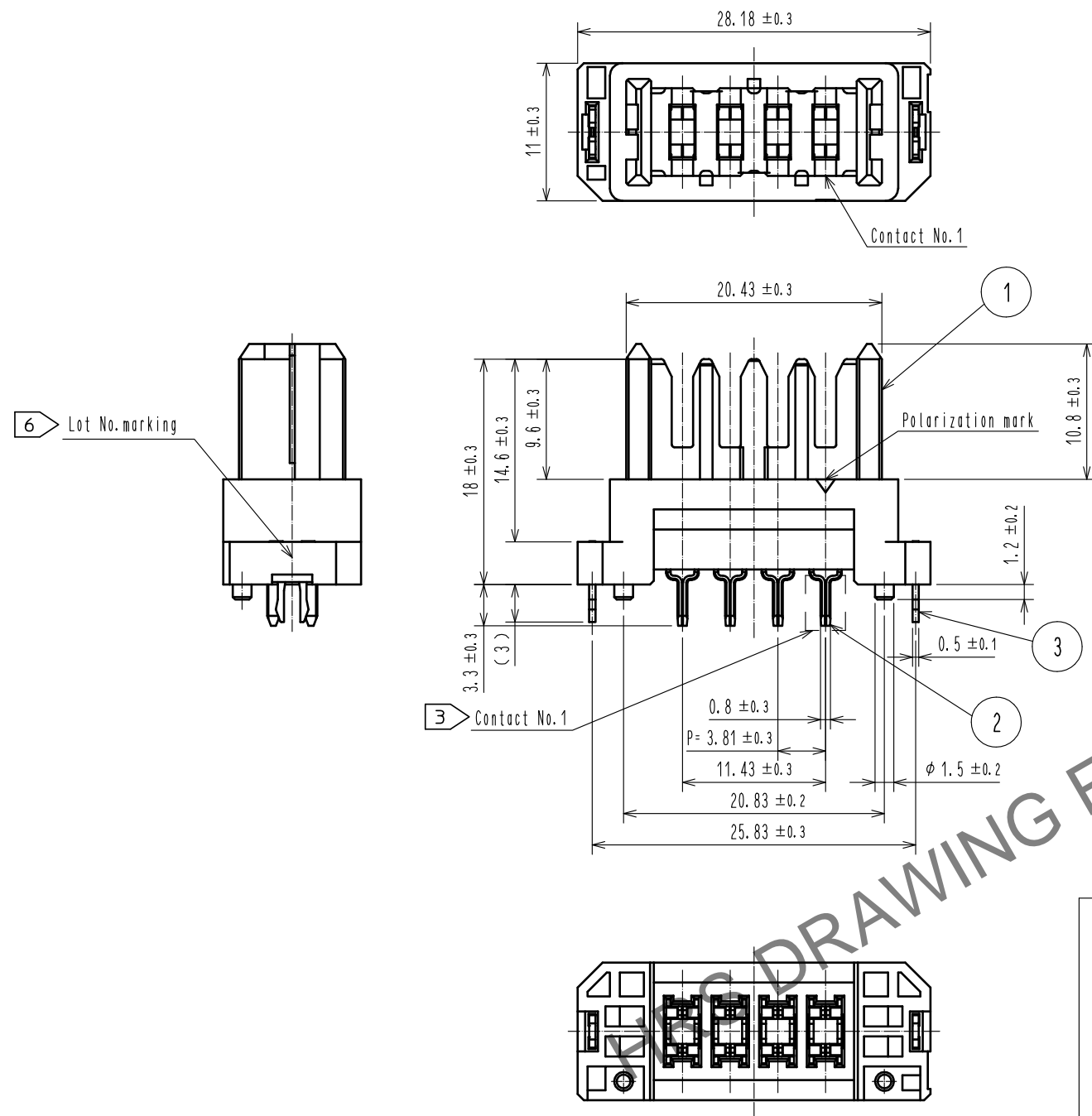


Jun.1.2024 Copyright 2024 HIROSE ELECTRIC CO., LTD. All Rights Reserved.
 In case of consideration for using Automotive equipment / device which demand high reliability, kindly contact our sales window correspondents.



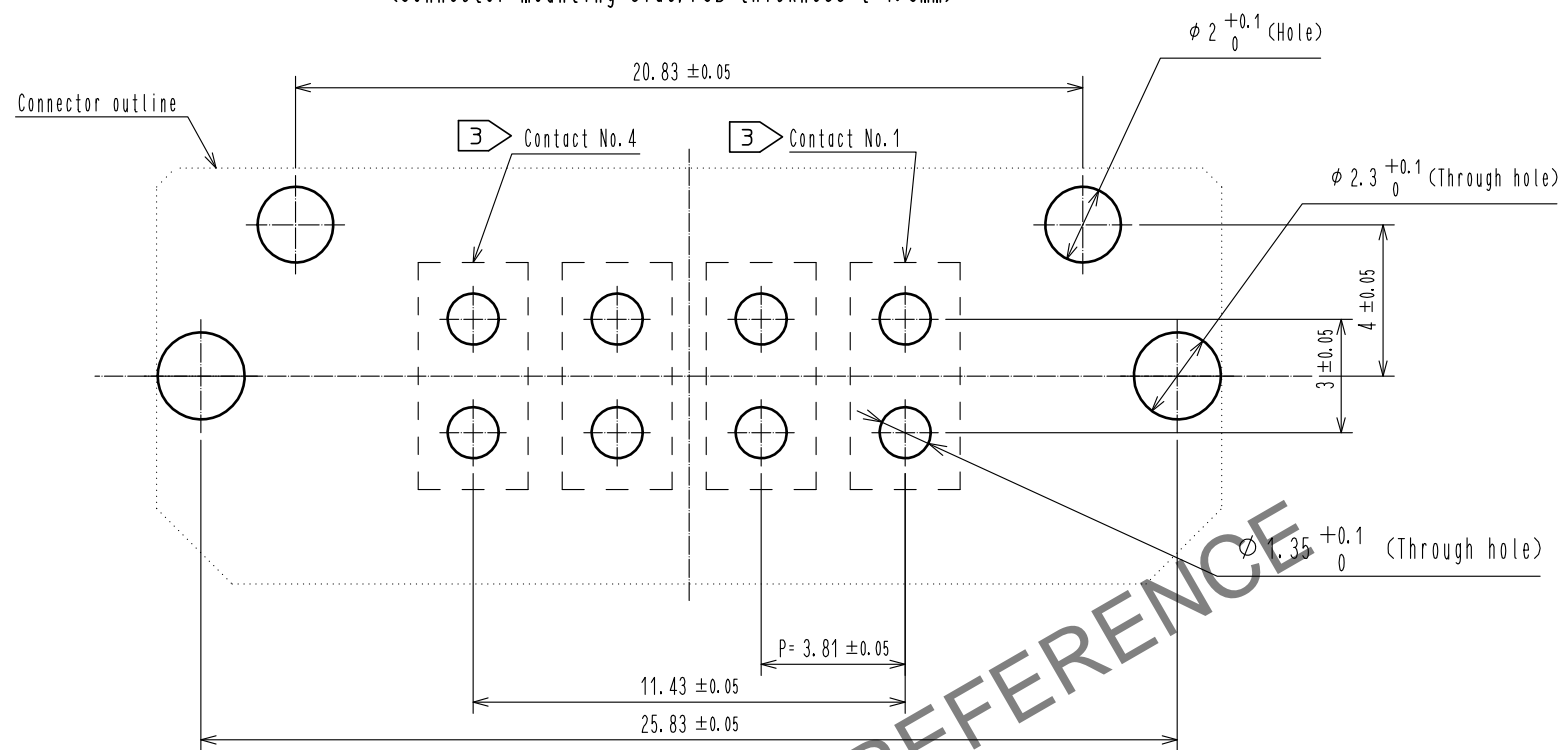
- Note
- ① This product is packaged in tray. (35pcs/tray)
 - ② Blemish and hit mark can be occurred through out the manufacturing process which dosen't affect quality level.
Also, black spot could be observed on the surface of housing.
 - ③ For the contact No., adjacent two pairs of leads placed back-to-back (4 leads in total)
 - ④ compose one line.
Misalignment absorbing range: ±0.3mm max.
 - ⑤ The dimension in parentheses are for references.
 - ⑥ Lot No. is indicated at either one of the position as shown.
 - ⑦ UL(File No. E52653)
C-UL(File No. E52653)
- ⚠ TUV(Certificate No. R50275872) authorization article.



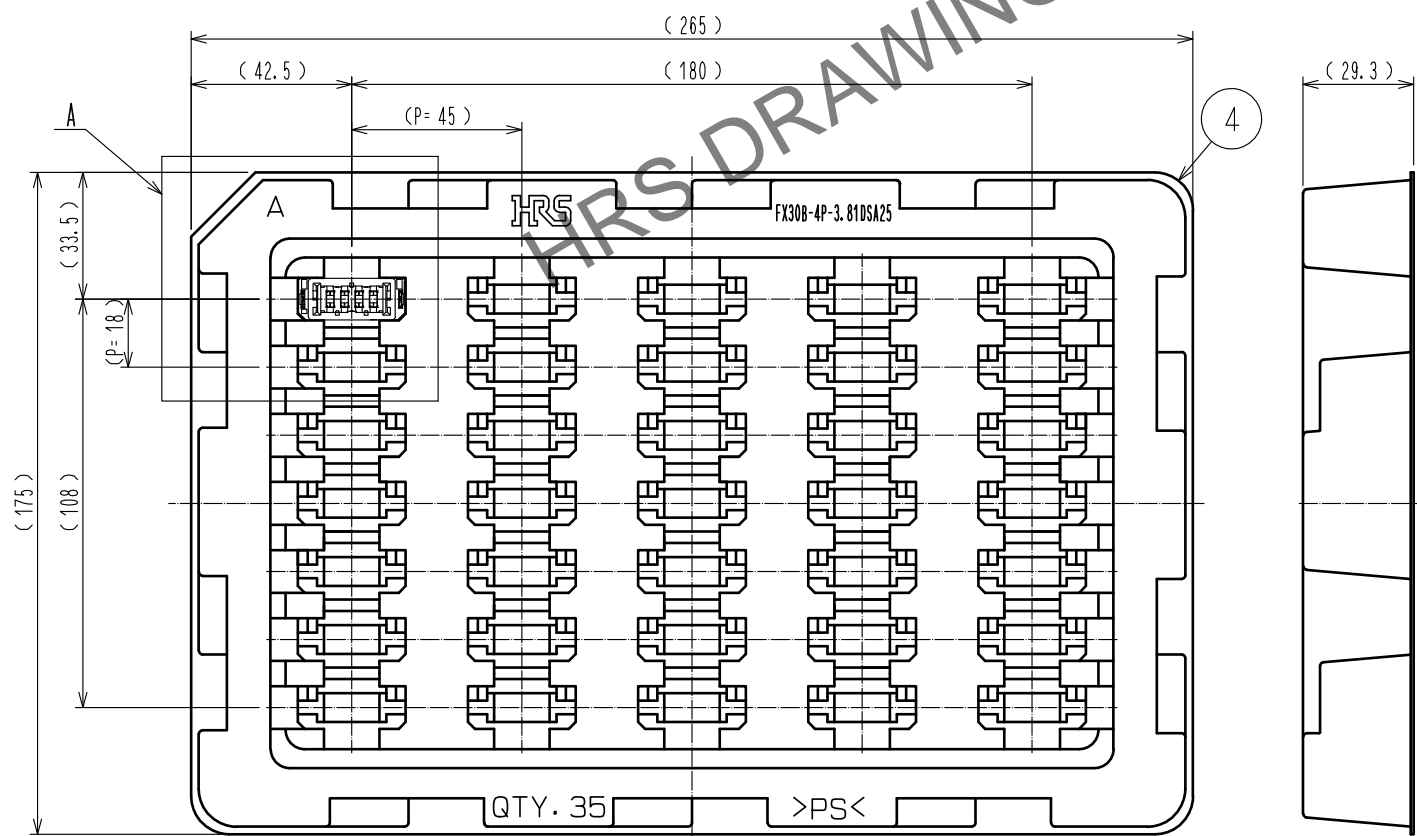
2	COPPER ALLOY	CONTACT AREA:GOLD-PLATING 0.1 μm	4	POLYSTYRENE	TIN-PLATING 3.0 μm
		LEAD AREA:TIN-PLATING 1.0 μm			
		UNDER PLATING:NICKEL 1.0 μm			
1	POLYAMIDE	BLACK UL94V-0	3	PHOSPHOR BRONZE	UNDER PLATING:NICKEL 1.0 μm
NO.	MATERIAL	FINISH . REMARKS	NO.	MATERIAL	FINISH . REMARKS
UNITS mm		SCALE 2 : 1	COUNT 1	DESCRIPTION OF REVISIONS DIS-F-00006019	
APPROVED : HS. OKAWA 20130313			DESIGNED	AK. IWAHORI	
CHECED : KI. HIROKAWA 20130312			CHECKED	HT. YAMAGUCHI	
DESIGNED : DK. AIMOTO 20130311			DATE	20200406	
DRAWN : DK. AIMOTO 20130311			DRAWING NO. EDC3-347261-00		
HRS HIROSE ELECTRIC CO., LTD.			PART NO. FX30B-4P-3. 81DSA25		
			CODE NO. CL570-3202-3-00		
			1/2		

Jun.1.2024 Copyright 2024 HIROSE ELECTRIC CO., LTD. All Rights Reserved.
 In case of consideration for using Automotive equipment / device which demand high reliability, kindly contact our sales window correspondents.

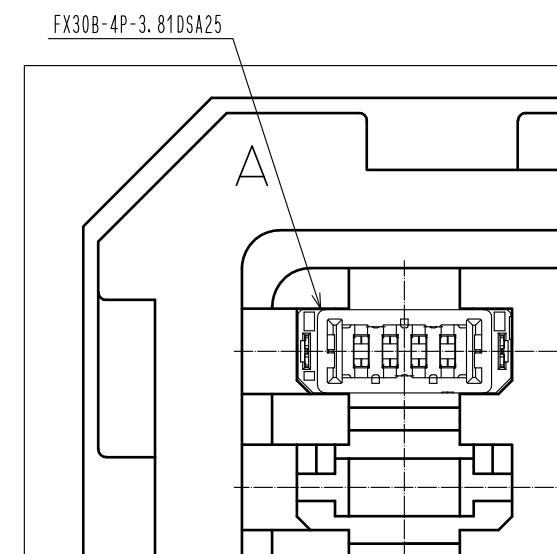
Recommended hole pattern dimension OF PCB(5:1)
 (Connector mounting side, PCB thickness:t=1.6mm)



1 Drawing for packaging(1:2)



A(1:1)



HRS	DRAWING NO.	EDC3-347261-00
	PART NO.	FX30B-4P-3.81DSA25
	CODE NO.	CL570-3202-3-00
		2/2