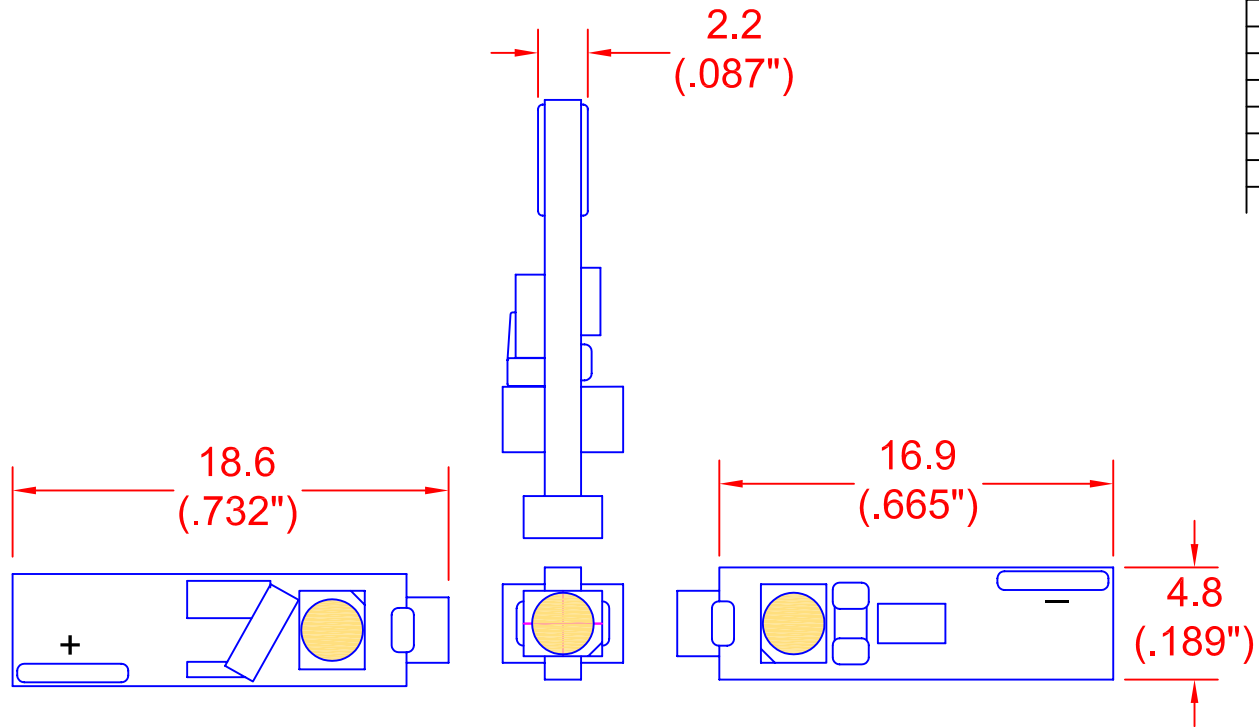


REV.	DESCRIPTION/ECO NO.	DATE
	RELEASE & CANCEL PL-0809-08	10/8/08



BOARD THICKNESS (REF.): 1.6

**Absolute Maximum Rating at TA = 25°C**

Parameter	Symbol	Absolute Maximum Rating	Unit
Forward Current	IF	50	mA
Power Dissipation	PD	.6	W
Electrostatic Discharge	ESD	120	V
Operating Temperature	Topr	-25~+60	°C
Storage Temperature	Tstg	-40~+80	°C

**Electrical/Optical Characteristics at TA = 25°C**

Parameter	Symbol	Condition	Min	Typ	Max	Unit
Forward Voltage DC	VF	IF = 30mA	10	12	16	V
Color Coordinates	x, y	IF = 30mA	--	0.420	--	x
			--	0.420	--	y
Luminous Flux	φV	IF = 30mA	--	21	--	Lm
Recommend Forward Voltage	(rec)	--	--	12	--	VOLTS

<p><b>METRIC</b> THIRD ANGLE PROJECTION</p>	<p>DIMENSIONS ARE IN MILLIMETERS (INCH)</p> <p>TOLERANCE UNLESS OTHERWISE SPECIFIED 1 PL +/- REF. 2 PL +/- ANGLE +/- 0</p>	<p><b>JKL COMPONENTS CORPORATION</b></p>					
		<p>TITLE <b>T-1 3/4 FLATWEDGE 12V DC, 3 LED, WARM WHITE</b></p>					
<p>DRAWN BY L. WENGSTROM</p>	<p>APPV'D BY L.R.</p>	<p>DATE 10/8/08</p>	<p>SIZE <b>A</b></p>	<p>FSCM NO. <b>55335</b></p>	<p>DRAWING NO. <b>LEFW-F12</b></p>		
<p>- CAD DRAWING - MANUAL REVISIONS NOT PERMITTED</p>			<p>SCALE NONE</p>	<p>RELEASED DATE 10/8/08</p>	<p>REVISION DATE</p>	<p>REV. NO.</p>	<p>SHEET 1 OF 1</p>