

NOTES:

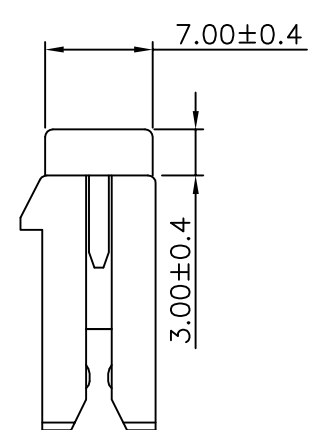
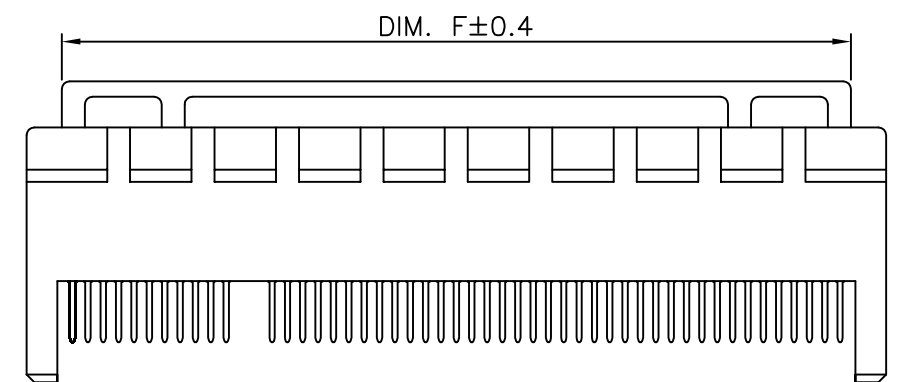
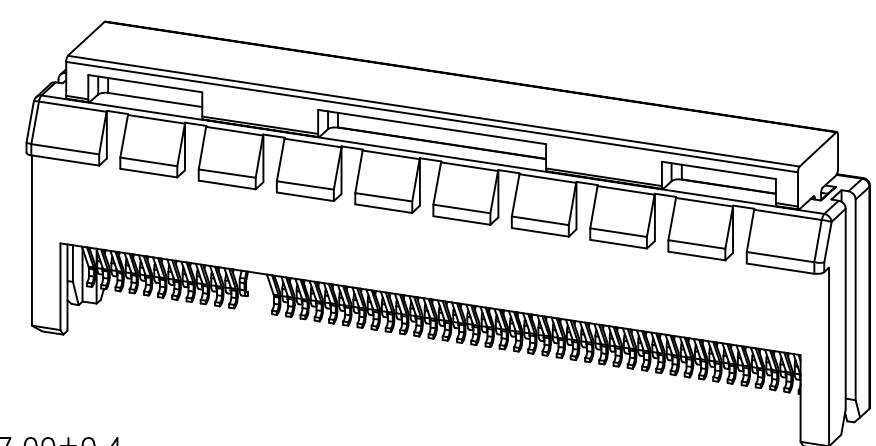
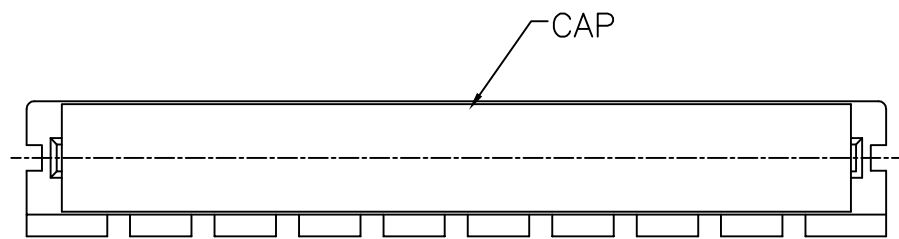
1. MATERIAL:
 - 1.1 HOUSING: THERMOPLASTIC, HIGH TEMP.,UL94V-0; COLOR: SEE PART NO..
 - 1.2 CONTACTS: COPPER ALLOY.
2. FINISH:
 - 2.1 CONTACT: SELECTEIVE GOLD PLATING ON CONTACT AREA. 100μ" MIN. MATTE TIN PLATING ON SOLDER TAILS, 50μ" MIN. NICKEL UNDERPLATING OVERALL.
3. PRODUCT SPEC.: PS-3GIO-01
4. PACKING SPEC.: 318304001
5. PART NO.

3157 - 10 X 0 X D

HSG Color	Packing Options
1: Black	D: Tray
Contact Plating	No. of Pins
0: 30μ", Gold	0: 36P
1: 15μ", Gold	1: 64P
2: G/F	2: 98P
	3: 164P

DIMENSIONS				
POSITION	A ±0.25	B ^{+0.20} / _{-0.10}	C ±0.20	D ^{+0.05} / _{-0.20}
36	25.00	7.65	6	23
64	39.00	21.65	20	37
98	56.00	38.65	37	54
164	89.00	71.65	70	87

				TOLERANCE		UMax 东莞市友贸实业有限公司 conn DONGGUAN UMAX ENTERPRISE LIMITED		TITLE: PCI EXPRESS CARD EDGE CONNECTOR STRADDLE MOUNT TYPE				
				LINEAR	ANGLES			PART NO. 3157-10X0XD				
				X.±0.40	X'±			DWG NO. 3157				
1	-----	Lei Songping	Jun,09,2022	.X±0.30	.X'±	APPD:	Jason	MAT'L:				
0	-----	Vincent	Jun,15,2010	.XX±0.20	.XX'±	CHKD:	Schumi	FINISH:				
REV	ECN NO.	NAME	DATE	.XXX±0.10	.XXX'±	DRWN:	Lei Songping	Q'TY:				
									UNITS	SCALE	SHEET	REV
									MM	1 : 1	1 OF 3	1



ASSEMBLY WITH CAP CONDITION

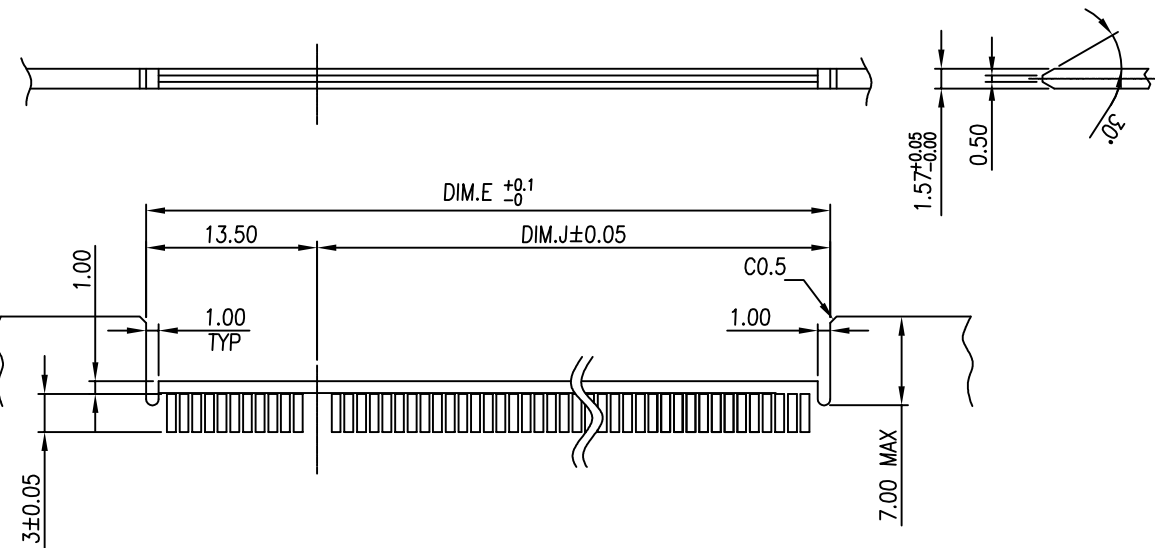
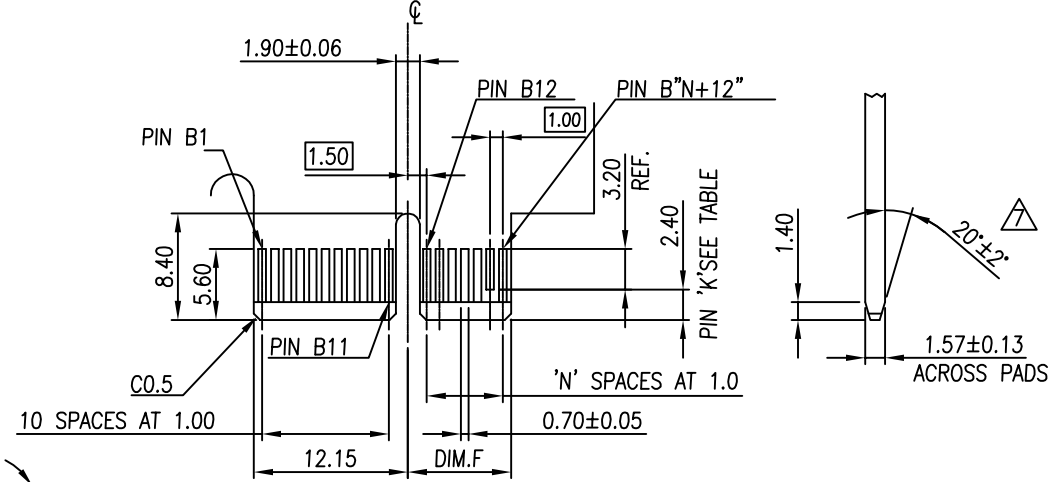
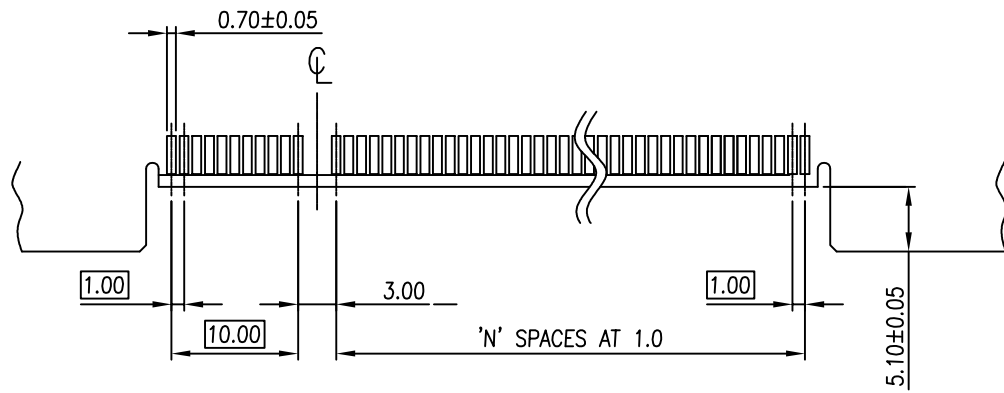
36	20.4
64	34.4
98	51.4
164	84.4
POSITION	DIM F

REV	See Sheet 1	NAME	DATE
ECN NO.			

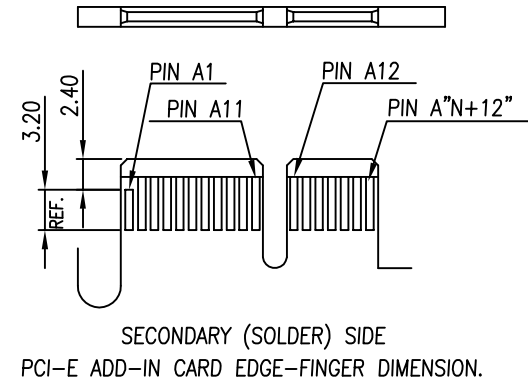
TOLERANCE	
LINEAR	ANGLES
X.±0.40	X'±
.X±0.30	.X'±
.XX±0.20	.XX'±
.XXX±0.10	.XXX'±

UMax 东莞市友贸实业有限公司	
conn DONGGUAN UMAX ENTERPRISE LIMITED	
APPD: Jason	MAT'L:
CHKD: Schumi	FINISH:
DRWN: Lei Songping	Q'TY:

TITLE: PCI EXPRESS CARD EDGE CONNECTOR STRADDLE MOUNT TYPE			
PART NO. 3157-10X0D		DWG NO. 3157	
	UNITS	SCALE	SHEET
	MM	1 : 1	2 OF 3
REV	1	CUSTOMER	



← I/O PANEL DIRECTION
PRIMARY (COMPONENT) SIDE



RECOMMENDED PCB LAYOUT
PCB TOLERANCE: ±0.05

6. NO TIE BAR PERMITTED FROM CARD EDGE TO LEADING EDGE OF PAD FOR PINS A1 AND "K"
△ CHAMFER EDGE MUST BE FREE OF CUTTING BURRS

164	70	87	73.5	72.15	B17,B31,B48,B81
98	37	54	40.5	39.15	B17,B31,B48
64	20	37	23.5	22.15	B17,B31
36	6	23	9.5	8.15	B17
POS.	N	DIM.E	DIM.J	DIM.F	"K"

TOLERANCE		UMax 东莞市友贸实业有限公司 DONGGUAN UMAX ENTERPRISE LIMITED	
LINEAR	ANGLES	APPD:	MAT'L:
X.±0.40	X'±	Jason	
.X±0.30	.X'±	CHKD: Schumi	FINISH:
.XX±0.20	.XX'±	DRWN: Lei Songping	Q'TY:
.XXX±0.10	.XXX'±		

TITLE: PCI EXPRESS CARD EDGE CONNECTOR STRADDLE MOUNT TYPE			
PART NO.		3157-10X0XD	
DWG NO.		3157	
UNITS	SCALE	SHEET	REV
MM	1 : 1	3 OF 3	1

See Sheet 1			
REV	ECN NO.	NAME	DATE