

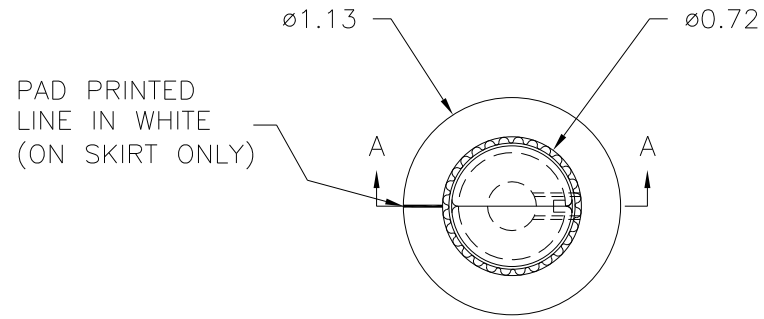
PART NAME: KNOB SCALE: 1:1 DATE: 1/11/02 DR. BY JAM

THIS DRAWING IS THE PROPERTY OF DAVIES MOLDING COMPANY, IS SUBMITTED SOLELY AS A DESIGN OR ENGINEERING PROJECT. WE ACCEPT NO RESPONSIBILITY WHATSOEVER FOR THE PRACTICAL APPLICATION OF THE PIECES MADE TO THIS DESIGN.

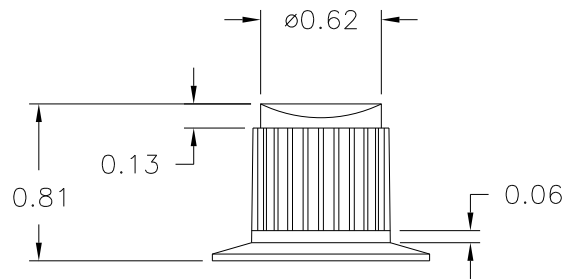


DESIGNERS & MANUFACTURERS OF KNOBS, HANDLES, CASES & CUSTOM PLASTIC COMPONENTS

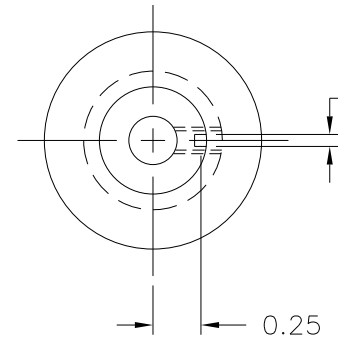
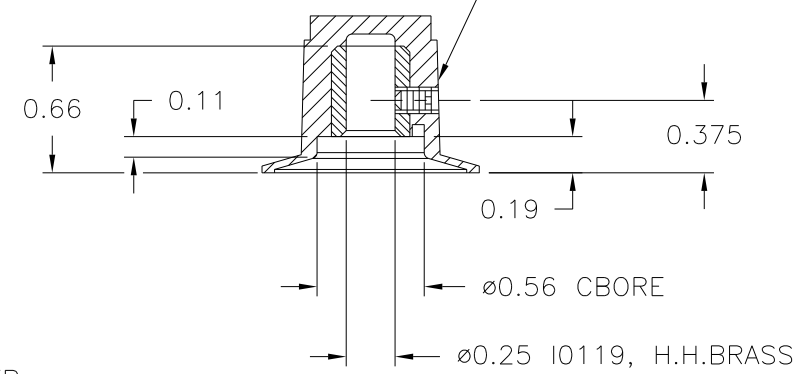
P/N 8072-F
 BASE PART 8072-01
 SET SCREW I0252



#6-32 TAP,



USE #36 DRILL (0.106),
 #6-32 THREAD
 X 3/16 LG. CUP POINTED,
 HEADLESS, SOCKET TYPE,
 SET SCREW, I0252.



Ⓐ 0.062 X 0.062 DEEP
 (LOCATION HOLE ONLY)

SECTION A-A

MATERIAL: ABS
 COLOR: BLACK

TOLERANCES: UNLESS OTHERWISE SPECIFIED	DO NOT SCALE DRAWING			
DECIMALS: X.XXX ± .005 X.XX ± .015	MM: X.XX ± 0.15MM X.X ± 0.4MM	A	CORRECTED LOCATING HOLE SHAPE & DIMENSIONS	JAM 9/11/09
FRACTIONS ± 1/64	ANG. ± 1°	-	ADDED LOCATING HOLE AND CORRECTED PART APPEARANCE	TS 12/26/02
CHANGES				

Mouser Electronics

Authorized Distributor

Click to View Pricing, Inventory, Delivery & Lifecycle Information:

[Davies Molding:](#)

[8072-F](#)