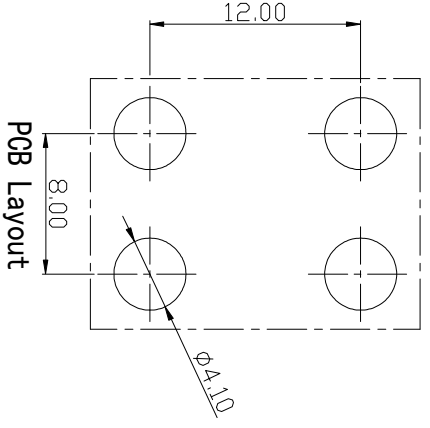
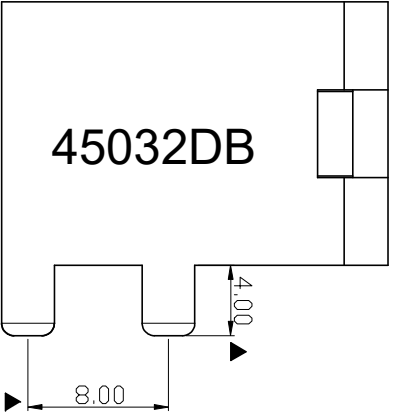
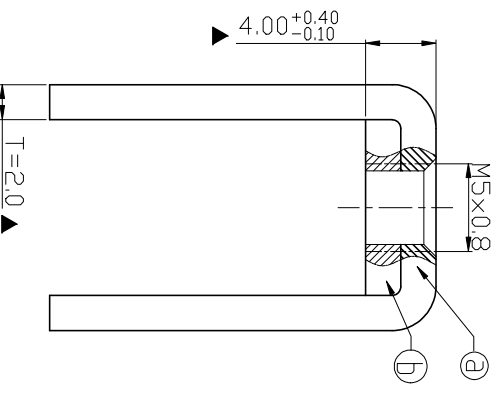
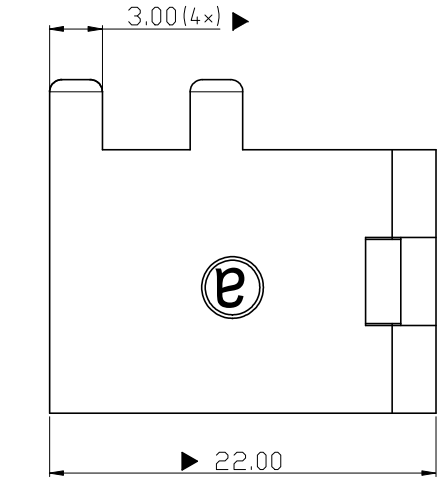
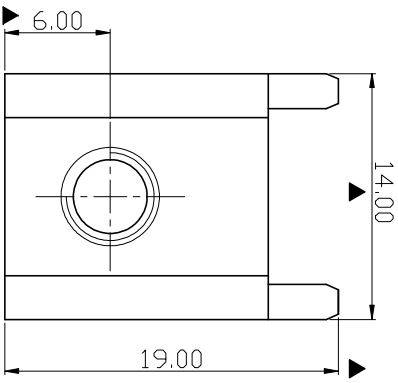


RoHS Compliant

Rev.	Sign	Date	Description	Approver
			THIS IS CAD DRAWING, DO NOT REVISE MANUALLY!!!	

- Technical Specification:
1. Current: 120A.
 2. Torque: 18 lbf.in.
 3. Mark "▲" is the Critical dimension.



①	Spacer	Steel, Matte Tin Plated	IPCS
②	terminal	Copper alloy, Matte Tin Plated	IPCS
ITEM	PART NAME	DESCRIPTION	Q'ty

Amphenol
ANYTEK

CUSTOMER COPY

ALL RIGHTS RESERVED. REPRODUCTION OR ISSUE TO THIRD PARTIES IN ANY FORM WHATSOEVER IS NOT PERMITTED WITHOUT WRITTEN AUTHORITY FROM THE PROPRIETOR. PROPERTY OF ANYTEK TECHNOLOGY CO., LTD

TITLE	AMT45032DB Stamped Terminal			
PART NO.	AMT0450032DB0000G	DWG NO.	8AMT0004	
APPROVED	CHECKED	DESIGNED	DRAWN	CUST NO.
	Seamus 2023.10.17	Seamus 2023.10.17		
UNIT: mm		Tolerance		
SCALE: NONE		±0.60		
REVISION: A0		0-30		
SHEET: 01/01		0-6		
		ANGLES: ±1°		