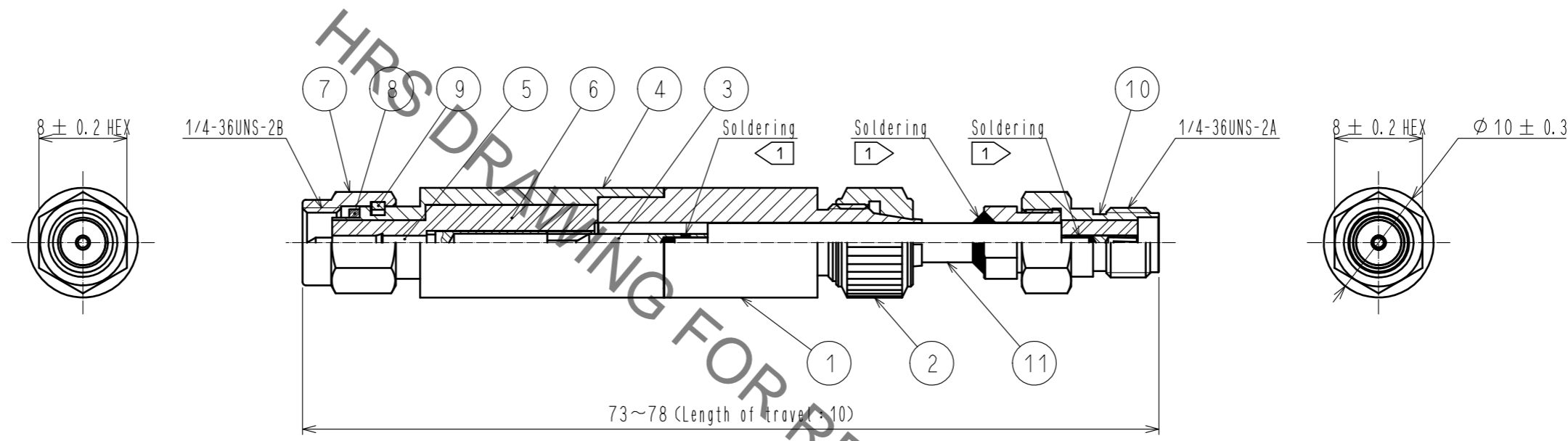


Jul.1.2019 Copyright 2019 HIROSE ELECTRIC CO., LTD. All Rights Reserved.
 In case of consideration for using Automotive equipment / device which demand high reliability, kindly contact our sales window correspondents.



Note 1 Lead-free solder (Sn3.0 Ag0.5 Cu) is used.

NO.	MATERIAL	FINISH .	REMARKS	NO.	MATERIAL	FINISH .	REMARKS
6	PTFE			11			UT-141A GOLD PLATING(Outer conductor)
5	PHOSPHOR BRONZE	GOLD PLATING					
4	STAINLESS STEEL	GOLD PLATING		10			HRM Jack
3	BERYLLIUM COPPER	GOLD PLATING		9	BERYLLIUM COPPER	NICKEL PLATING	
2	BRASS	GOLD PLATING		8	SILICONE RUBBER		
1	BRASS	GOLD PLATING		7	STAINLESS STEEL	GOLD PLATING	

UNITS mm		SCALE 2 : 1	COUNT 	DESCRIPTION OF REVISIONS	DESIGNED	CHECKED	DATE
HIROSE ELECTRIC CO., LTD.				APPROVED : KY. SHIMIZU 16.03.18 CHECKED : TO. KATAYAMA 16.03.18 DESIGNED : NK. OOSAWA 16.03.18 DRAWN : NK. OOSAWA 16.03.18	DRAWING NO. EDC-030029-40-00 PART NO. HLS-JP-3(40) CODE NO. CL355-0003-1-40		

RoHS COMPLIANT

Mouser Electronics

Authorized Distributor

Click to View Pricing, Inventory, Delivery & Lifecycle Information:

[Hirose Electric:](#)

[HLS-JP-3\(40\)](#)