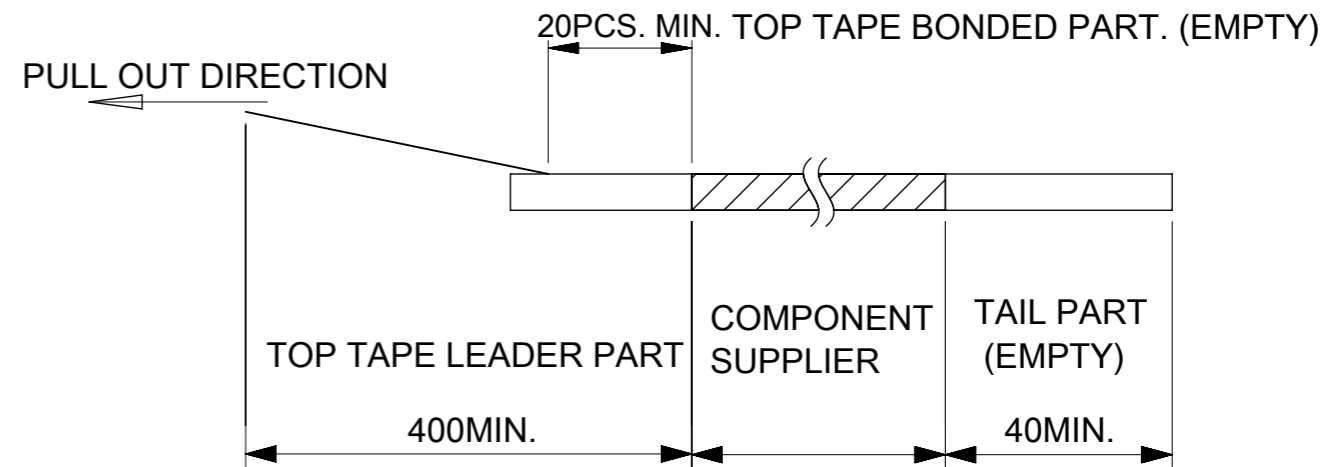
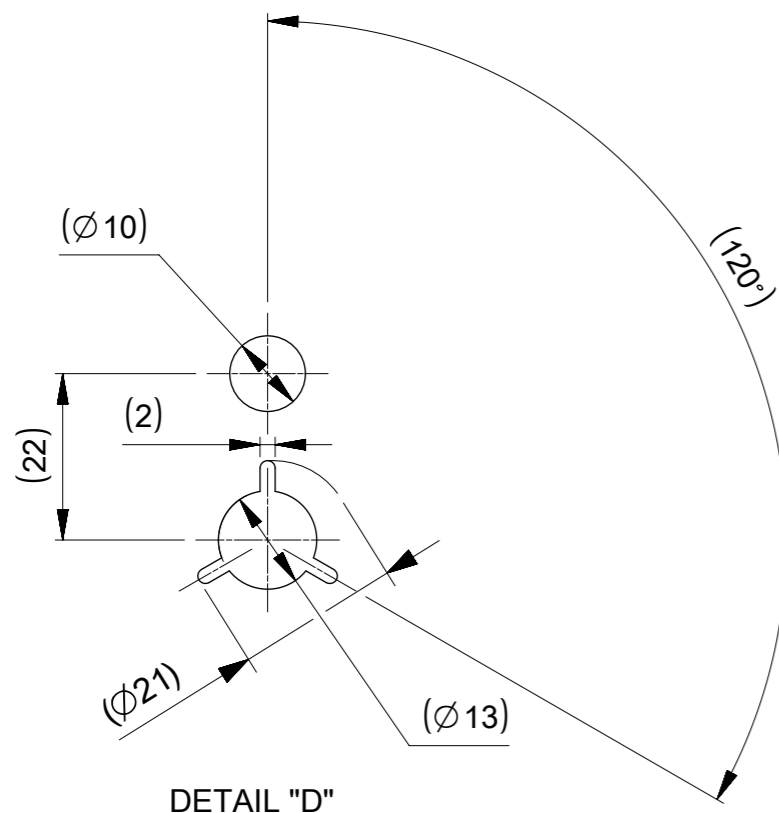
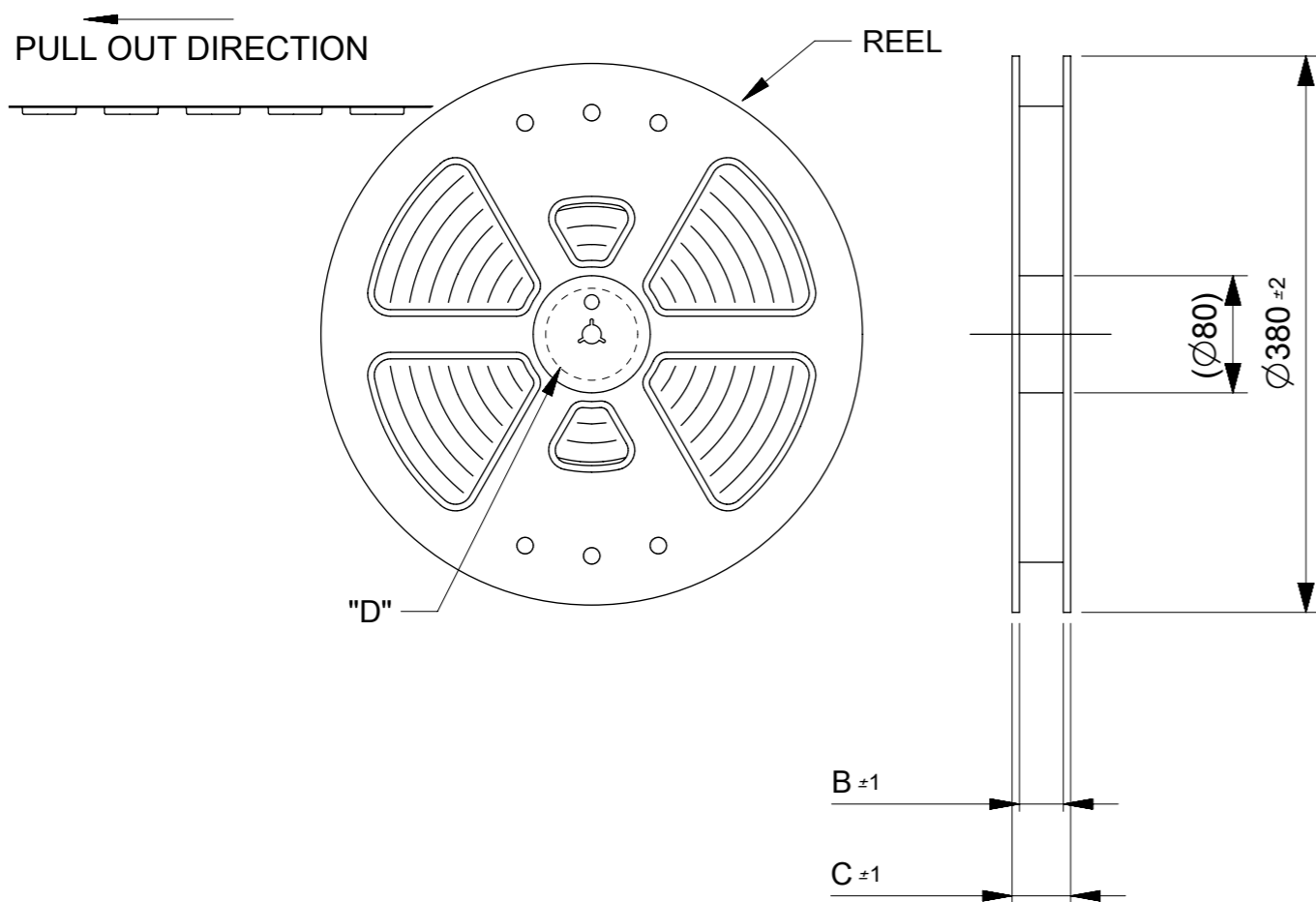


NOTES

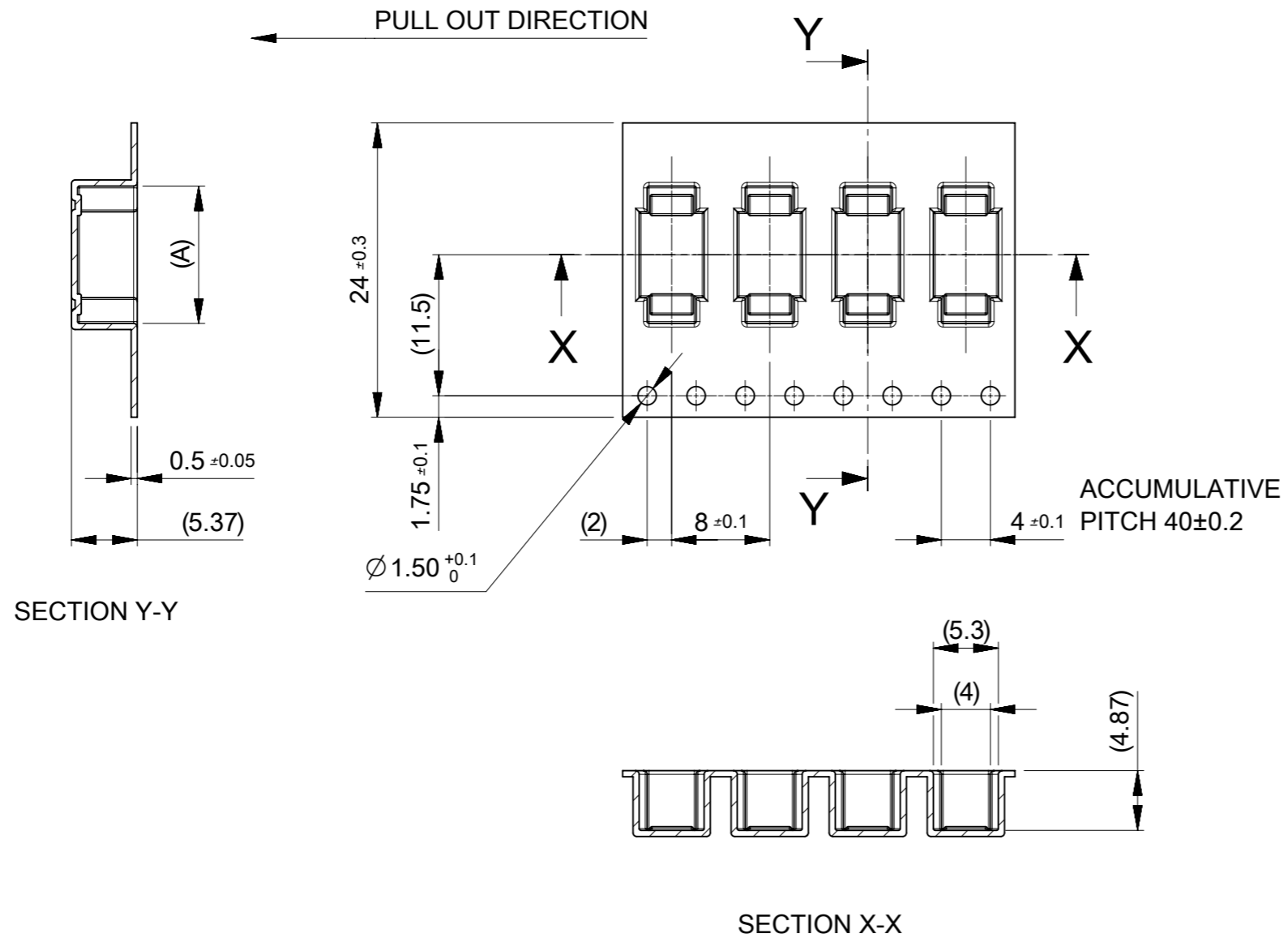
1. DETAIL DIMENSION, SEE PRODUCT DRAWING.
2. NUMBER OF CONNECTORS : 2200 PCS/REEL.
NUMBER OF DELIVERY UNIT : 20~50 CKT. 6600 PCS/CARTON.
60 CKT. 4400 PCS/CARTON.
3. LEAD TAPE LENGTH.



4. TOP TAPE PEEL FORCE IS DEFINED BY IEC60286-3
5. MATERIAL
CARRER TAPE :POLYSTYRENE
TOP TAPE :PET , OTHER
REEL :POLYSTYRENE(PS)(RECYCLE MATERIAL CONTAINED)
6. ELV AND RoHS COMPLIANT



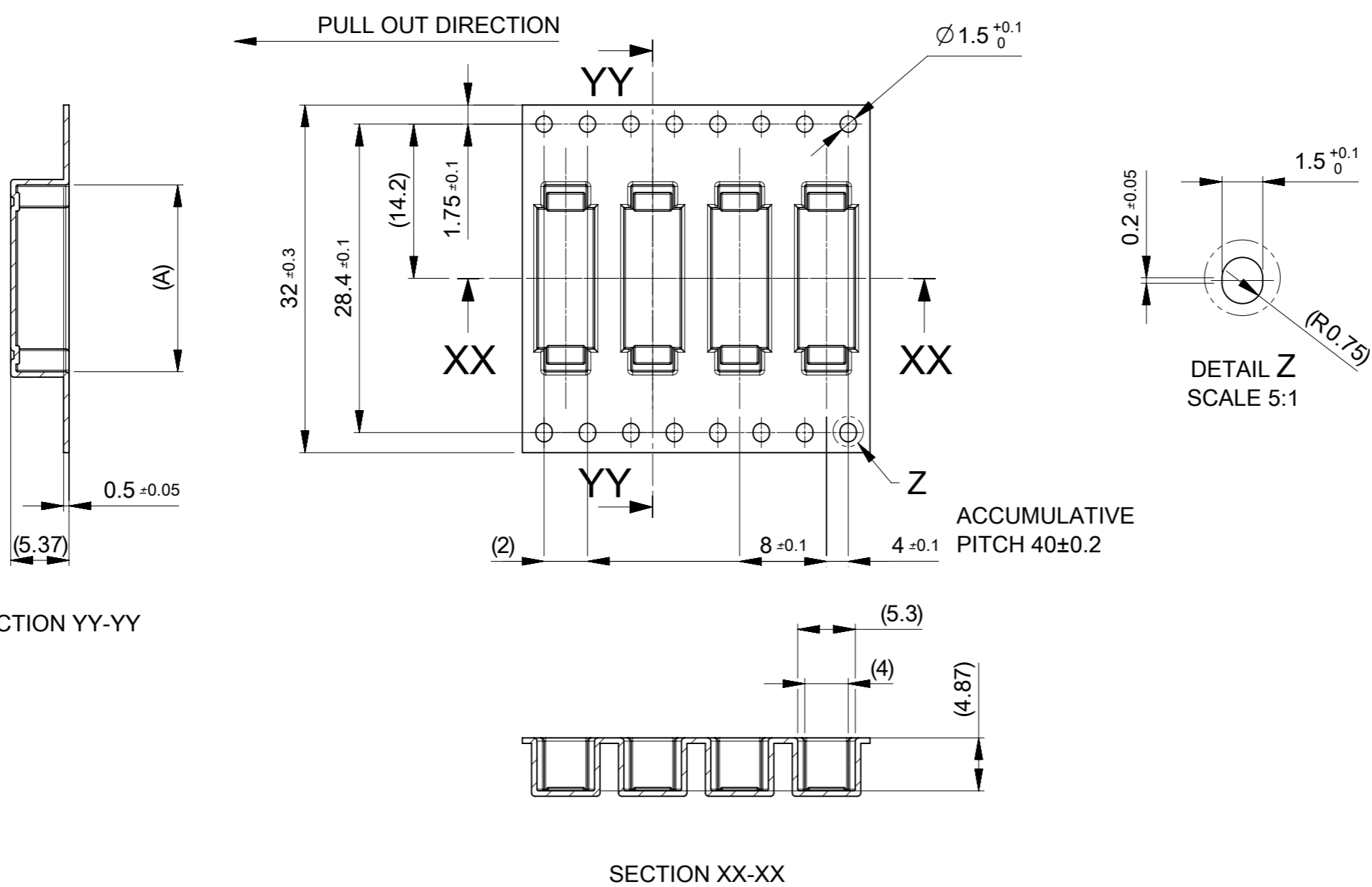
THIS DRAWING CONTAINS INFORMATION THAT IS PROPRIETARY TO MOLEX ELECTRONIC TECHNOLOGIES, LLC AND SHOULD NOT BE USED WITHOUT WRITTEN PERMISSION									
DIMENSION UNITS	SCALE	CURRENT REV DESC:					molex		
mm	2:1								
GENERAL TOLERANCES (UNLESS SPECIFIED)		EC NO: 623405					0.4 FLOATING BB H=5 PLUG EMBOSSTP PKG.		
ANGULAR TOL	± °	DRWN: JFURUKAWA 2019/09/02					PRODUCT CUSTOMER DRAWING		
4 PLACES	±	CHK'D: YNAITO 2019/09/18					DOCUMENT NUMBER		
3 PLACES	±	APPR: RTAKEUCHI 2019/09/18					2039560000		
2 PLACES	±	INITIAL REVISION:					DOC TYPE	DOC PART	REVISION
1 PLACE	±	DRWN: YSEKI01 2019/07/10					PSD	002	B
0 PLACES	±	APPR: RTAKEUCHI 2019/07/16							
DRAFT WHERE APPLICABLE MUST REMAIN WITHIN DIMENSIONS	THIRD ANGLE PROJECTION	DRAWING	SERIES	MATERIAL NUMBER	CUSTOMER	SHEET NUMBER			
		A3-SIZE	203956	SEE CHART	GENERAL	1 OF 3			



24	29.4	25.4	15.2	2039560502	2039560503	○	---	50
			13.2	2039560402	2039560403	○	---	40
			11.2	2039560302	2039560303	○	---	30
			9.2	2039560202	2039560203	○	---	20
キャリアテープ幅 CARRIER TAPE WIDTH	C	B	(A)	WITHOUT COVER TAPE	WITH COVER TAPE	HIGH VOL. TOOL	LOW VOL. TOOL	CIRCUIT
				MATERIAL No.		SAMPLE PREPARATION		

THIS DRAWING CONTAINS INFORMATION THAT IS PROPRIETARY TO MOLEX ELECTRONIC TECHNOLOGIES, LLC AND SHOULD NOT BE USED WITHOUT WRITTEN PERMISSION

DIMENSION UNITS mm	SCALE 1:1	CURRENT REV DESC:			molex
GENERAL TOLERANCES (UNLESS SPECIFIED)		EC NO: 623405			
ANGULAR TOL ± °		DRWN: JFURUKAWA	2019/09/02	0.4 FLOATING BB H=5 PLUG EMBOSSTP PKG.	
4 PLACES ±		CHK'D: YNAITO	2019/09/18	PRODUCT CUSTOMER DRAWING	
3 PLACES ±		APPR: RTAKEUCHI	2019/09/18	DOCUMENT NUMBER	
2 PLACES ±		INITIAL REVISION:		2039560000	DOC TYPE
1 PLACE ±		DRWN: YSEKI01	2019/07/10	PSD	DOC PART
0 PLACES ±		APPR: RTAKEUCHI	2019/07/16	002	REVISION
DRAFT WHERE APPLICABLE MUST REMAIN WITHIN DIMENSIONS	THIRD ANGLE PROJECTION	DRAWING	SERIES	MATERIAL NUMBER	CUSTOMER
		A3-SIZE	203956	SEE CHART	GENERAL
					SHEET NUMBER
					2 OF 3



ACCUMULATIVE PITCH 40±0.2

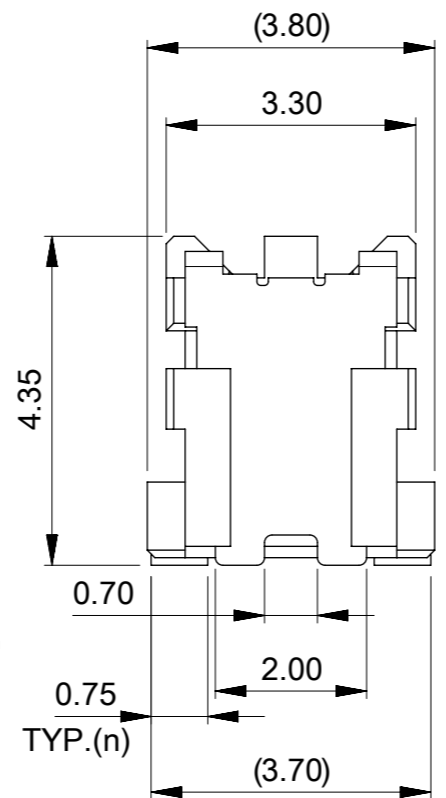
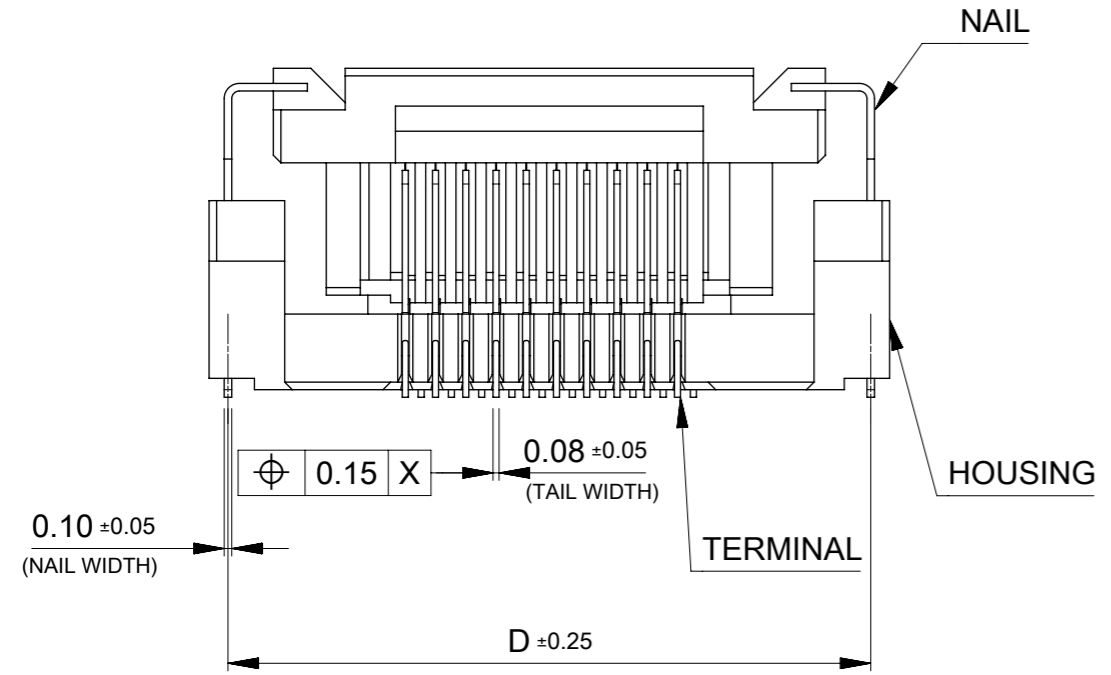
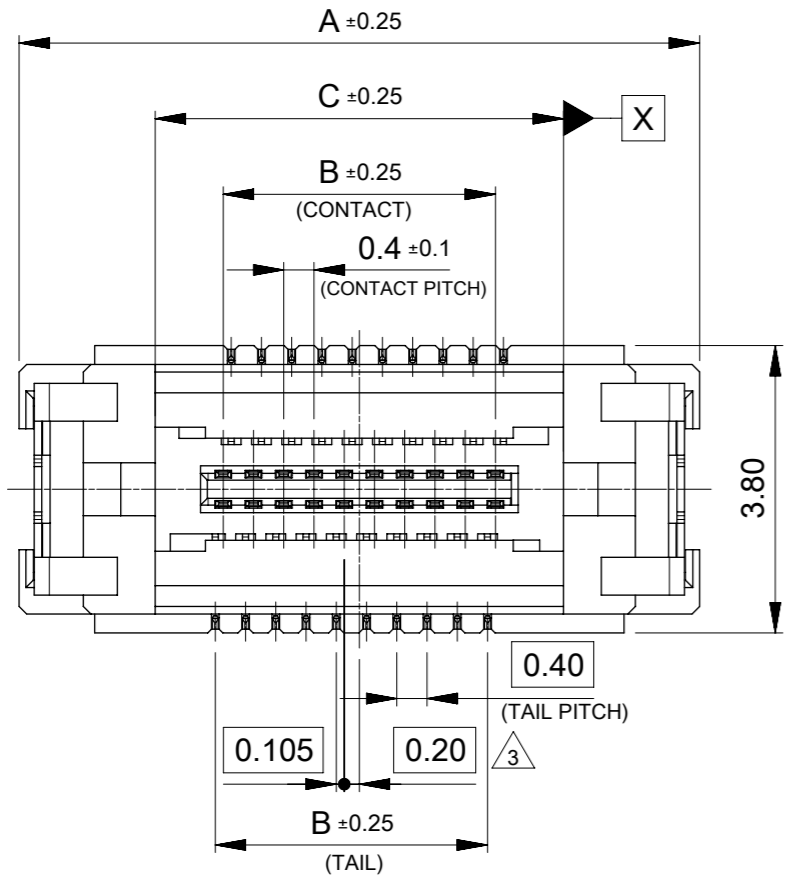
SECTION YY-YY

SECTION XX-XX

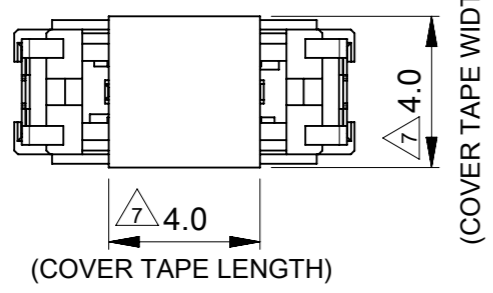
32	37.4	33.4	17.2	2039560602	2039560603	○	---	60
キャリアテープ幅 CARRIER TAPE WIDTH	C	B	(A)	WITHOUT COVER TAPE	WITH COVER TAPE	HIGH VOL. TOOL	LOW VOL. TOOL	CIRCUIT
MATERIAL No.					SAMPLE PREPARATION			

THIS DRAWING CONTAINS INFORMATION THAT IS PROPRIETARY TO MOLEX ELECTRONIC TECHNOLOGIES, LLC AND SHOULD NOT BE USED WITHOUT WRITTEN PERMISSION

DIMENSION UNITS mm	SCALE 2:1	CURRENT REV DESC:			molex		
GENERAL TOLERANCES (UNLESS SPECIFIED)		EC NO: 623405					
ANGULAR TOL ± °		DRWN: JFURUKAWA 2019/09/02			PRODUCT CUSTOMER DRAWING		
4 PLACES ±		CHK'D: YNAITO 2019/09/18			DOCUMENT NUMBER		
3 PLACES ±		APPR: RTAKEUCHI 2019/09/18			2039560000		
2 PLACES ±		INITIAL REVISION:			DOC TYPE		
1 PLACE ±		DRWN: YSEKI01 2019/07/10			PSD		
0 PLACES ±		APPR: RTAKEUCHI 2019/07/16			DOC PART		
DRAFT WHERE APPLICABLE MUST REMAIN WITHIN DIMENSIONS		THIRD ANGLE PROJECTION		DRAWING		REVISION	
		A3-SIZE		SERIES		B	
		203956		MATERIAL NUMBER		SHEET NUMBER	
		SEE CHART		CUSTOMER		3 OF 3	
		GENERAL					



COVER TAPE LAYOUT



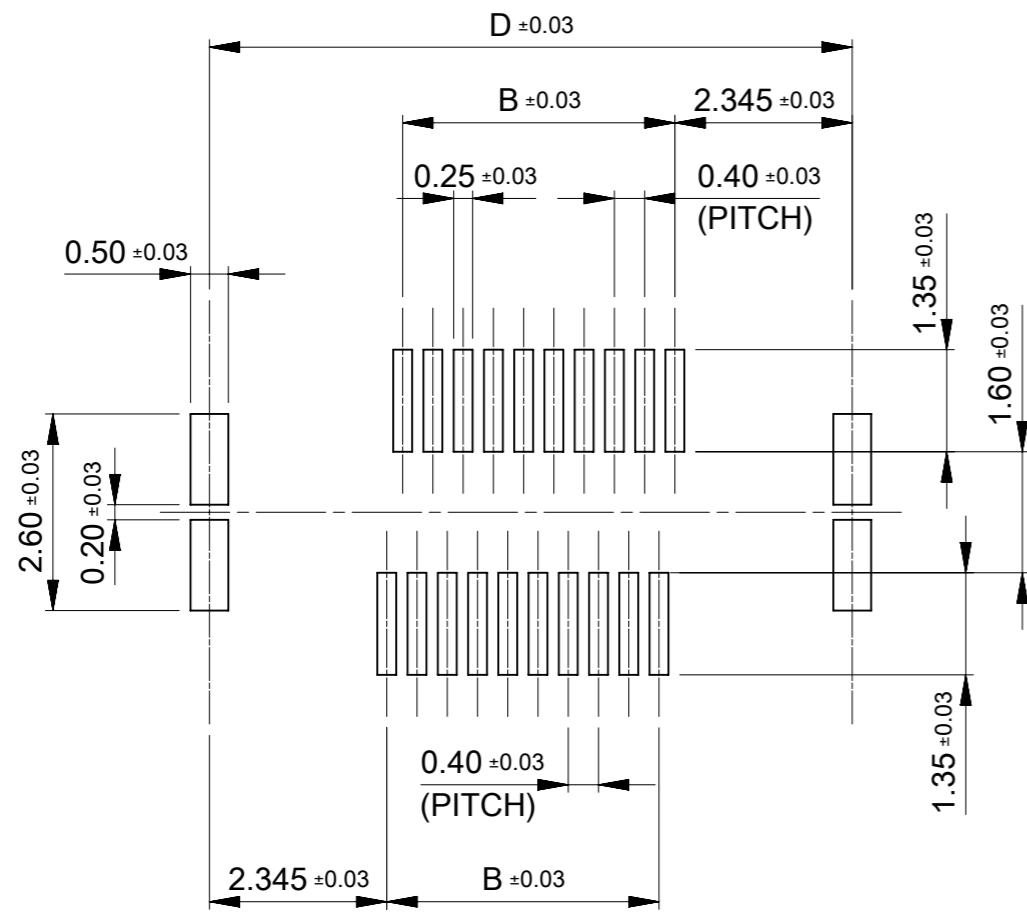
- 1 MATERIAL
 WAFER: LIQUID CRYSTAL POLYMER UL94V-0 (COLOR : BLACK)
 TERMINAL: COPPER ALLOY
 FITTING NAIL: COPPER ALLOY
 COVER TAPE: POLYIMIDE
- 2 PLATING
 TERMINAL :
 CONTACT AREA: GOLD PLATING.
 SOLDER TAIL AREA: GOLD PLATING.
 UNDERPLATE: NICKEL OVERALL.
 FITTING NAIL:
 SURFACE: TIN OVERALL
 UNDERPLATE: NICKEL OVERALL.
- △₃ APPLY FOR (CIRCUIT/2)=EVEN.
- 4 MATE WITH :203955****
- 5 TAIL COPLANARITY TO BE 0.1 MAXIMUM.
- 6 ELV and RoHS COMPLIANT.
- △₇ ALL CIRCUIT IS COMMON LENGTH.

16.5	13.4	11.6	17	2039560602	2039560603	○	---	60
14.5	11.4	9.6	15	2039560502	2039560503	○	---	50
12.5	9.4	7.6	13	2039560402	2039560403	○	---	40
10.5	7.4	5.6	11	2039560302	2039560303	○	---	30
8.5	5.4	3.6	9	2039560202	2039560203	○	---	20
D	C	B	A	WITHOUT COVER TAPE	WITH COVER TAPE	HIGH VOL. TOOL	LOW VOL. TOOL	CIRCUIT
EMBOSSED TAPE PACKAGE ORDER NO.						SAMPLE PREPARATION ○ : TOOLED △ : WORK IN PROCESS ---: TOOLING TO BE CONFIRMED		

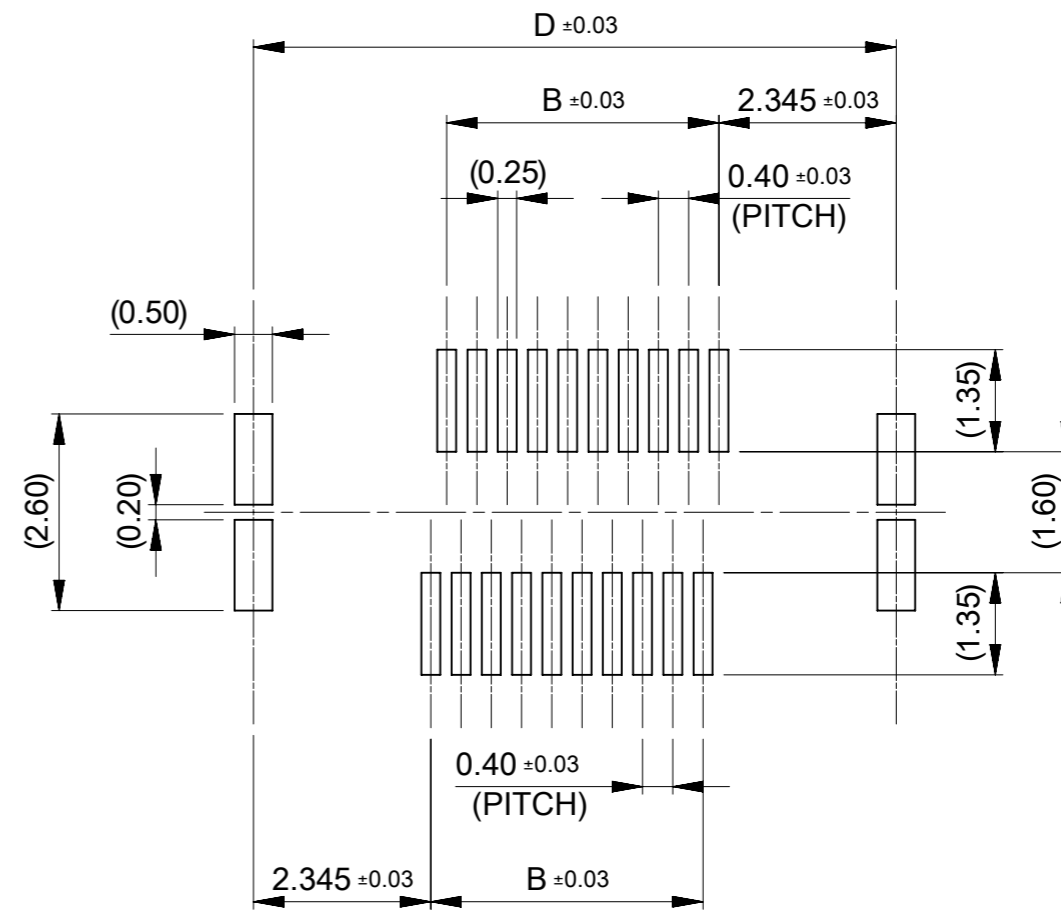
CONNECTOR SERIES NO. : 2039561**1 (WITH COVER TAPE)
 2039561**2 (WITHOUT COVER TAPE)

THIS DRAWING CONTAINS INFORMATION THAT IS PROPRIETARY TO MOLEX ELECTRONIC TECHNOLOGIES, LLC AND SHOULD NOT BE USED WITHOUT WRITTEN PERMISSION

DIMENSION UNITS mm	SCALE 10:1	CURRENT REV DESC:		molex	
GENERAL TOLERANCES (UNLESS SPECIFIED)		EC NO: 694599			
ANGULAR TOL ± 1.0°	4 PLACES ± 0.2	DRWN: JFURUKAWA	2022/02/04	PRODUCT CUSTOMER DRAWING	
3 PLACES ± 0.2	2 PLACES ± 0.2	CHK'D: YMATSUMOTO	2022/02/09	DOCUMENT NUMBER	
1 PLACE ± 0.2	0 PLACES ± 0.2	APPR: SHOSHIKAWA	2022/02/09	DOC TYPE DOC PART REVISION	
INITIAL REVISION:		DRWN: YSEKI01		2039561000-SD	
DRAFT WHERE APPLICABLE MUST REMAIN WITHIN DIMENSIONS		APPR: RTAKEUCHI		PSD 000 D	
THIRD ANGLE PROJECTION		DRAWING		MATERIAL NUMBER	
A3-SIZE		SERIES		CUSTOMER	
203956		GENERAL		SHEET NUMBER	
1 OF 2					





RECOMMENDED P.W.BOARD PATTERN LAYOUT(REFERENCE)



RECOMMENDED METAL MASK LAYOUT(REFERENCE)

RECOMMENDED THICKNESS OF METAL MASK : t=0.1mm

RECOMMENDED OPEN APERTURE RATIO OF METAL MASK : 100%

THIS DRAWING CONTAINS INFORMATION THAT IS PROPRIETARY TO MOLEX ELECTRONIC TECHNOLOGIES, LLC AND SHOULD NOT BE USED WITHOUT WRITTEN PERMISSION									
DIMENSION UNITS	SCALE	CURRENT REV DESC:							
mm	10:1								
GENERAL TOLERANCES (UNLESS SPECIFIED)		EC NO: 694599			0.4 FLOATING BB CONN.H=5 PLUG ASSY				
ANGULAR TOL ± 1.0 °		DRWN: JFURUKAWA 2022/02/04			PRODUCT CUSTOMER DRAWING				
4 PLACES ± 0.2		CHK'D: YMATSUMOTO 2022/02/09			DOCUMENT NUMBER				
3 PLACES ± 0.2		APPR: SHOSHIKAWA 2022/02/09			2039561000-SD				
2 PLACES ± 0.2		INITIAL REVISION:			DOC TYPE		DOC PART		REVISION
1 PLACE ± 0.2		DRWN: YSEKI01 2019/07/30			PSD		000		D
0 PLACES ± 0.2		APPR: RTAKEUCHI 2019/08/01			MATERIAL NUMBER		CUSTOMER		SHEET NUMBER
DRAFT WHERE APPLICABLE MUST REMAIN WITHIN DIMENSIONS		THIRD ANGLE PROJECTION		DRAWING	SERIES	GENERAL		2 OF 2	
				A3-SIZE	203956				