



# K2 Draw Latch

## Rotary · Stylized wing

- Lift and Turn operation
- Consistent pull-up

### Material and Finish

Stainless steel or steel, black powder coated

### Performance Details

Steel:

Maximum working load:  
1230 N (275 lbf)

Stainless steel:

Maximum working load:  
845 N (190 lbf)

Operating temperature range:  
-40°C (-40°F) to 80°C (175°F)

### Installation Notes

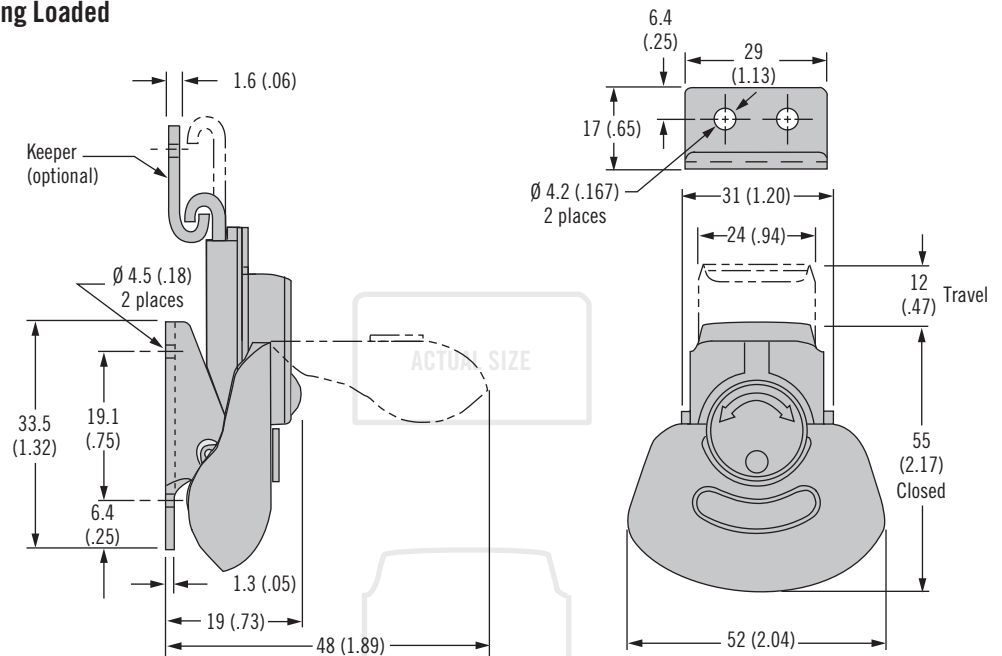
Install assembly with  $\varnothing 4$  (.157) rivets or M4 (No. 8) screws (not supplied)

### Notes

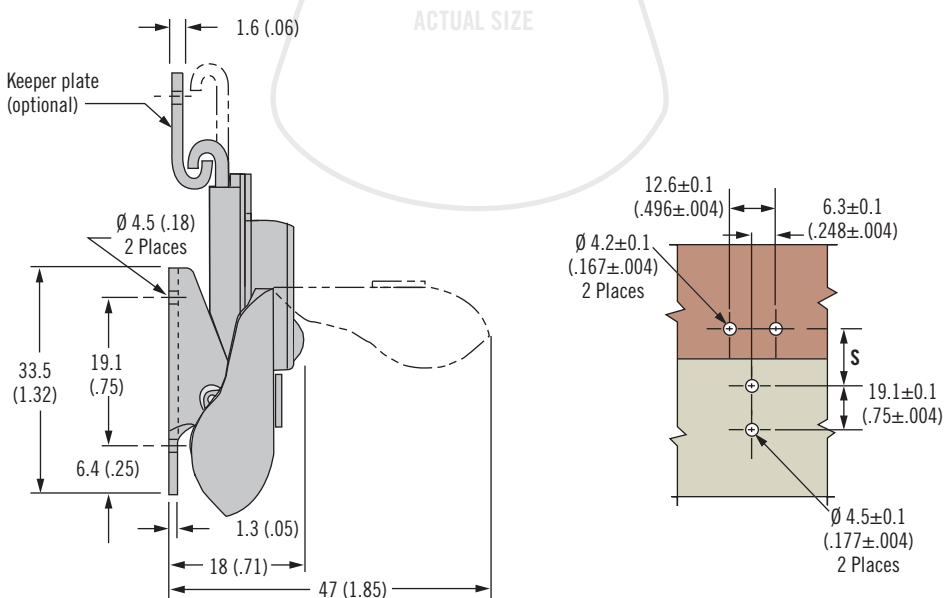
Spring loaded:

Ideal for applications where shock and vibration occur. Compensates up to 1.7 (.07) for mounting hole irregularities, panel variations and gasket set. Also provides an additional allowance of 2.3 (.09) deflection when loaded.

### Spring Loaded



### Fixed



### Part Number

See table

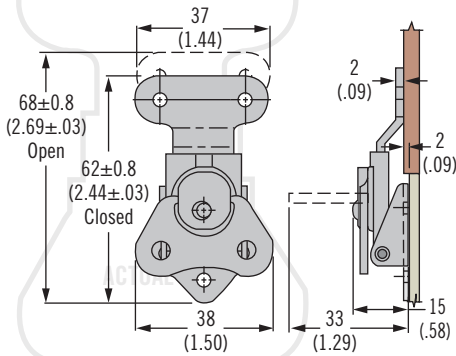
Order latch and keeper separately

Latch	Part Number			S
	Style	Steel, Black Powder Coated	Stainless Steel	
	Spring loaded	K2-3005-89	K2-3005-51	
Fixed	K2-3001-89	K2-3001-51	32±0.2 (1.25±.01)	
Keeper		K4-2338-89	K4-2338-51	

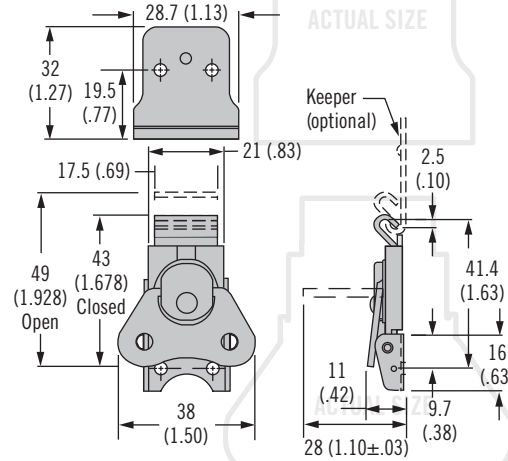
# K3 Draw Latch Rotary



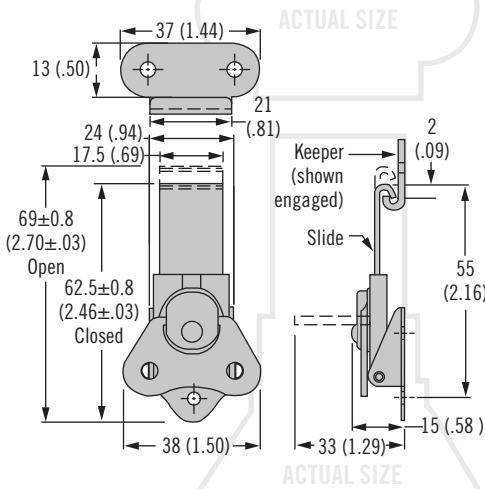
## Hinge Lock



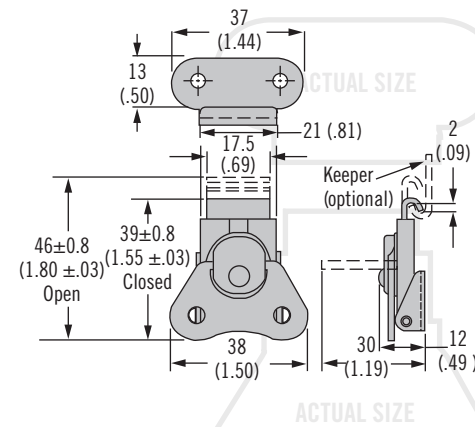
## Low Profile



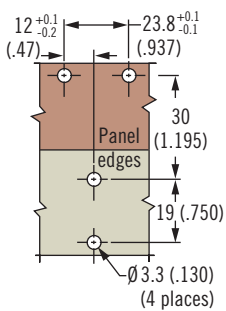
## Long Slide



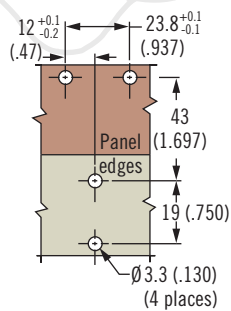
## Short Anchor Plate



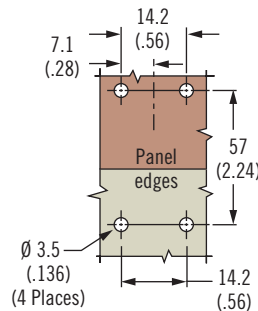
## Hinge Lock



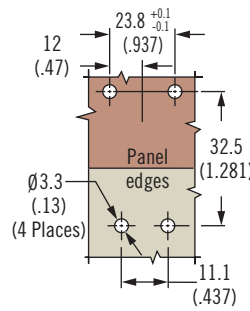
## Long Slide



## Low Profile



## Short Base



- Adjustable grip

### Material and Finish

Stainless steel or steel, zinc plated

### Installation Notes

Install assembly with Ø 3 (.125) rivets or M3 (No. 4) screws (not supplied)

### Notes

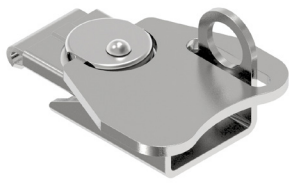
Hinge lock style has an integrally attached keeper

Material	Latch Part Number				Keeper Part Number	
	Hinge Lock	Long Slide	Low Profile	Short Base	Keeper	Low Profile Keeper
Steel	K3-1746-07	K3-2347-07	K3-2694-07	K3-1660-07	K3-0334-07	K3-2696-07
Stainless Steel	~	K3-2347-52	~	K3-1660-52	K3-0334-52	~

### Part Number

See table

Order latch and keeper separately



# K3 Draw Latch

## Rotary

- Lift and Turn operation
- Consistent pull-up

### Material and Finish

Stainless steel or steel, zinc plated

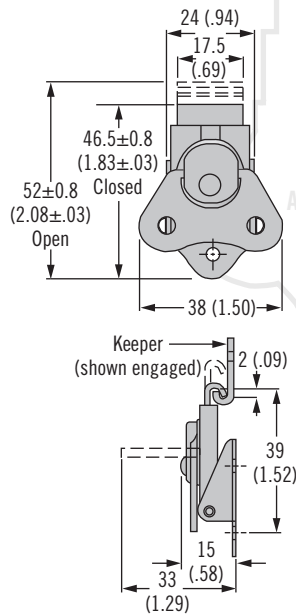
### Installation Notes

Install assembly with  $\varnothing 3$  (.125) rivets or M3 (No. 4) screws (not supplied)

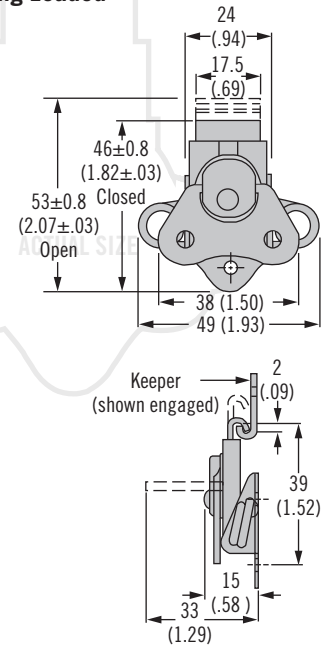
### Notes

Spring loaded:  
Ideal for applications where shock and vibration occur. Compensates up to 4 (.156) for mounting hole irregularities, panel variations and gasket set.

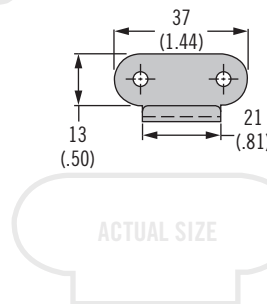
### Riveted



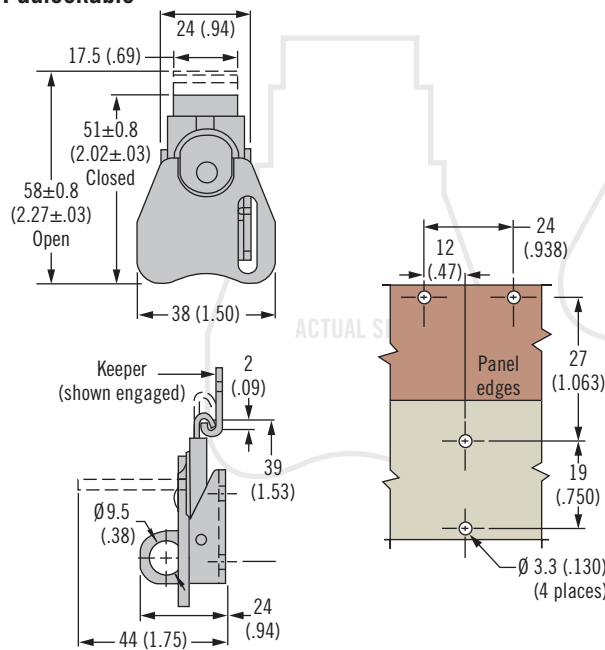
### Spring Loaded



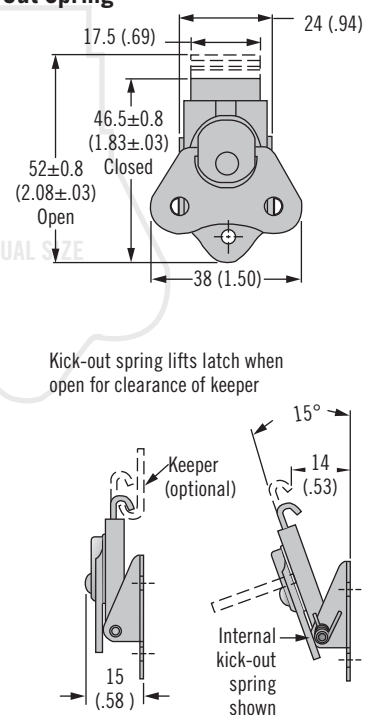
### Keeper



### Padlockable



### Kick-Out Spring



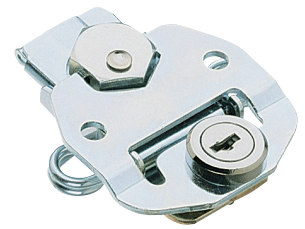
### Part Number

See table

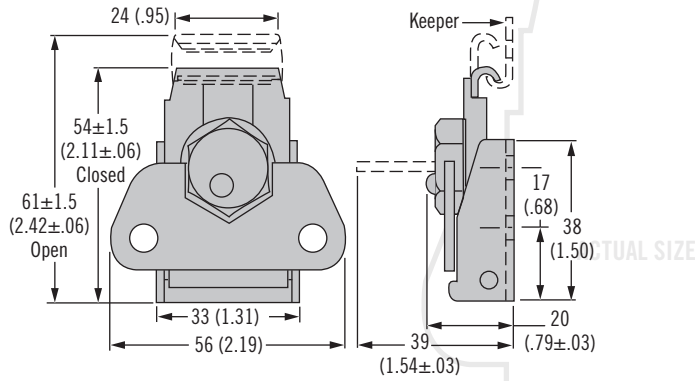
Order latch and keeper separately

Material	Part Number				
	Riveted	Spring Loaded	Padlockable	Kick-Out Spring	Keeper
Steel	K3-1625-07	K3-1735-07	K3-2403-07	K3-1887-07	K3-0334-07
Stainless Steel	K3-1625-52	K3-1735-52	K3-2403-52	K3-1887-52	K3-0334-52

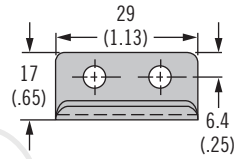
# K4 Draw Latch Rotary



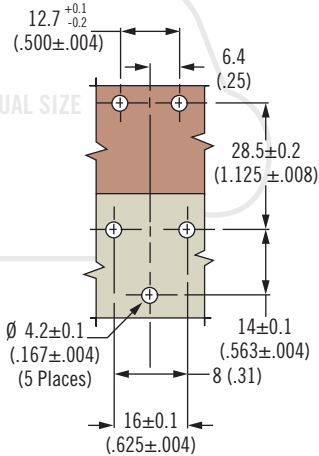
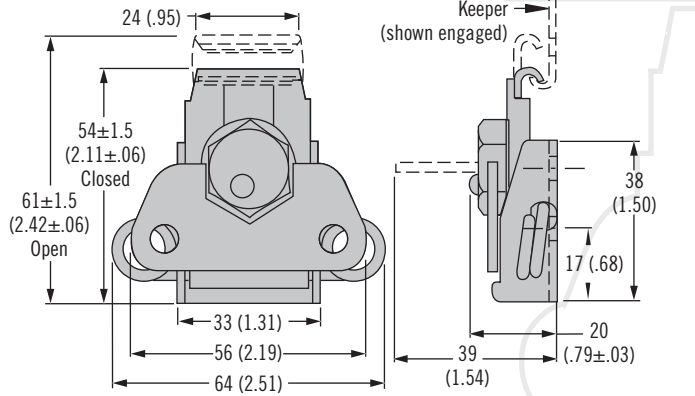
## Riveted



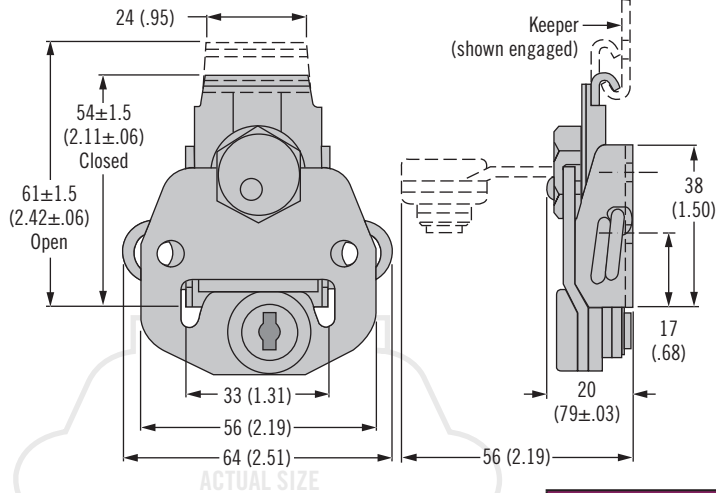
## Keeper



## Spring Loaded



## Key Lockable



Type	Part Number	
	Latch	Keeper
Riveted	K4-2714-07	K4-2338-07
Spring loaded	K4-2359-07	
Key lockable	K4-2833-07	

- Lift and Turn operation
- Consistent pull-up

### Material and Finish

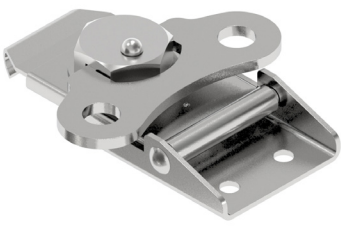
Steel, zinc plated

### Installation Notes

Install assembly with  $\varnothing 4$  (.157) rivets or M4 (No. 8) screws (not supplied)

### Notes

Spring loaded:  
Ideal for applications where shock and vibration occur. Compensates up to 4 (.156) for mounting hole irregularities, panel variations and gasket set.



# K5 Draw Latch

## Rotary

- Lift and Turn operation
- Consistent pull-up

### Material and Finish

Stainless steel or steel, zinc plated

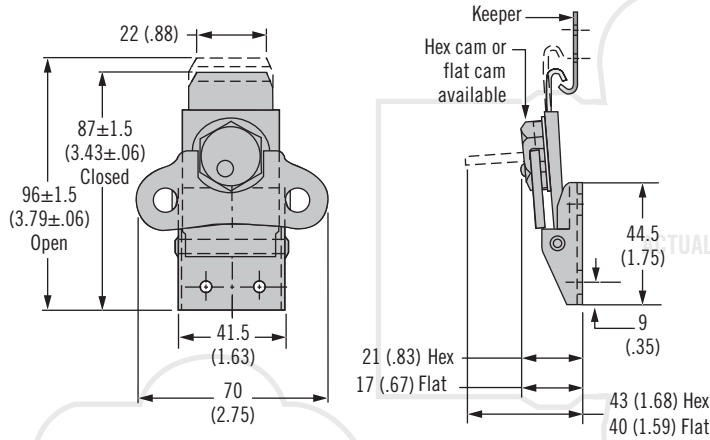
### Installation Notes

Install assembly with  $\varnothing 5$  (3/16) rivets or M5 (No. 10) screws (not supplied)

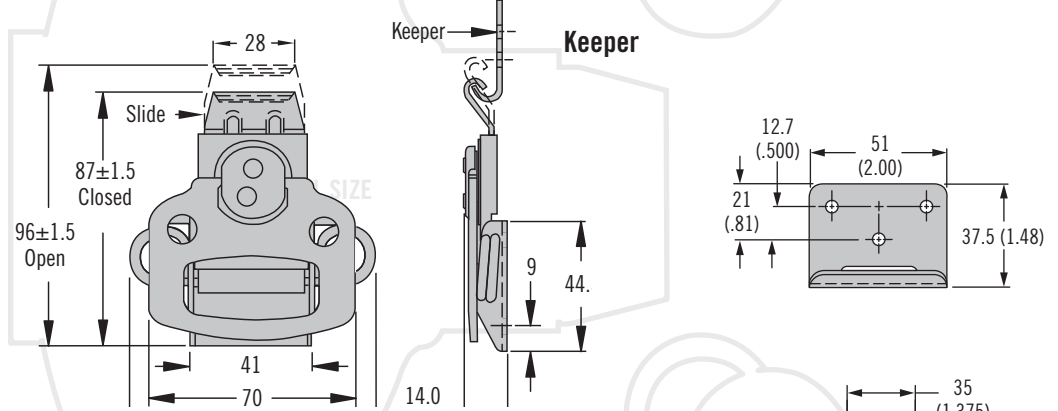
### Notes

Spring loaded and low profile: Ideal for applications where shock and vibration occur. Compensates up to 4 (.16) for mounting hole irregularities, panel variations and gasket set.

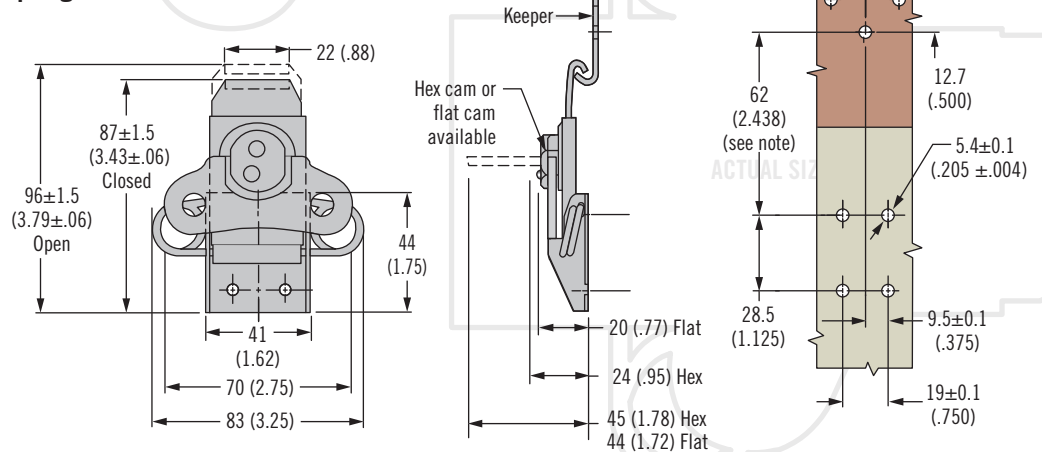
### Riveted (hex cam shown)



### Low Profile (flat cam shown)



### Spring Loaded (flat cam shown)



### Part Number

See table

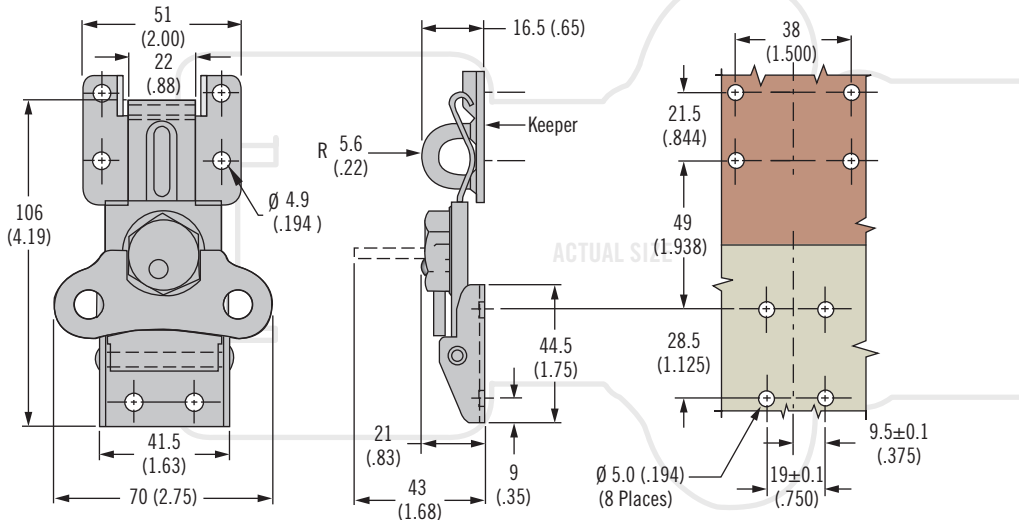
Order latch and keeper separately

Material	Part Number					
	Riveted Hex Cam	Riveted Flat Cam	Low Profile Flat Cam	Spring Loaded Hex Cam	Spring Loaded Flat Cam	Keeper
Steel	K5-2812-07	K5-2857-07	K5-2814-07	K5-2858-07	K5-2856-07	K5-2811-07
Stainless Steel	~	K5-2857-52	~	~	K5-2856-52	K5-2811-52

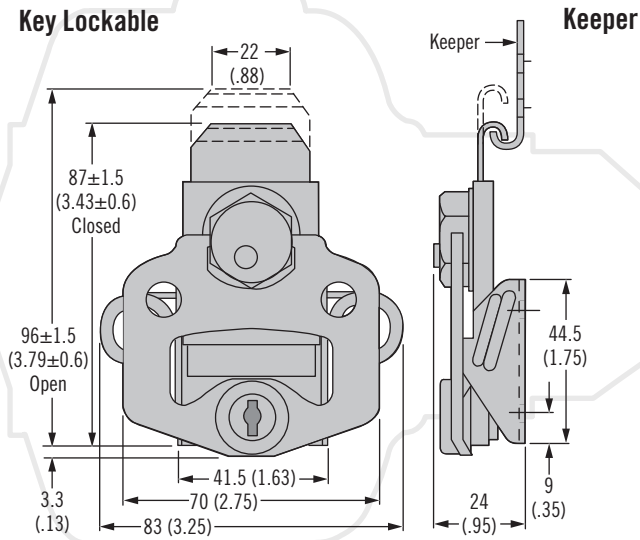
# K5 Draw Latch Rotary



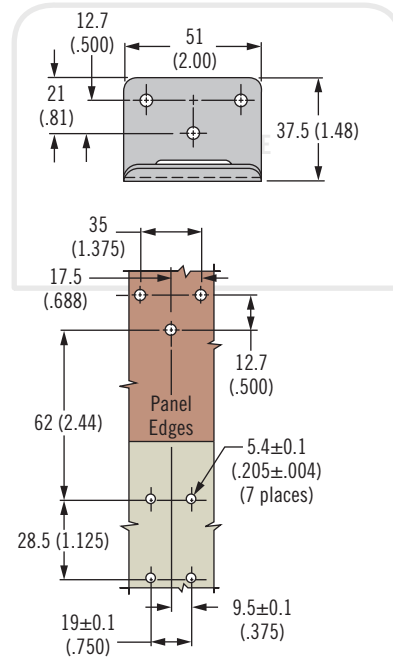
## Padlockable (riveted hex cam shown)



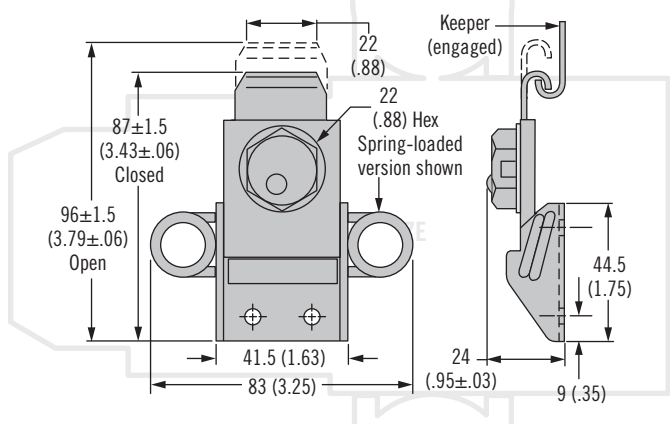
## Key Lockable



## Keeper



## Tool Operated (spring loaded shown)



Latch Part Number	
Padlockable Riveted Hex Cam	K5-2754-07
Padlockable Riveted Flat Cam	K5-1993-07
Padlockable Flat Cam, Spring Loaded	K5-1994-07
Key Lockable	K5-2813-07
Tool Operated, Spring Loaded	K5-2819-07
Tool Operated, Riveted	K5-2818-07
Keeper Part Number	
Keeper	K5-2811-07
Keeper, Padlockable	K5-1736-07

- Lift and Turn operation
- Consistent pull-up

### Material and Finish

Steel, zinc plated

### Installation Notes

Install assembly with  $\varnothing 5$  (3/16) rivets or M5 (No. 10) flat head screws (not supplied)

### Notes

Spring loaded:  
Ideal for applications where shock and vibration occur. Compensates up to 4 (.16) for mounting hole irregularities, panel variations and gasket set.