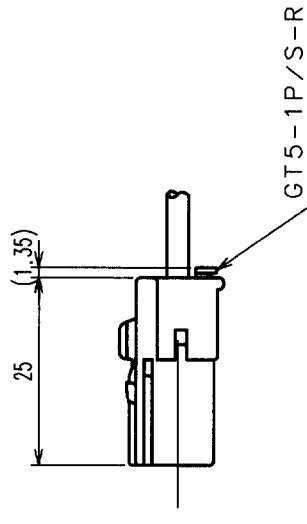
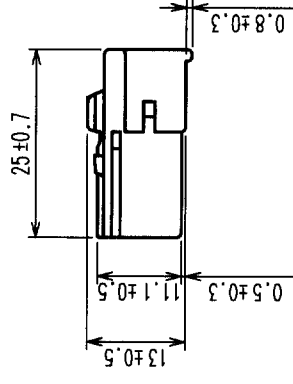
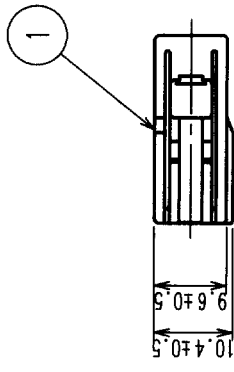


In case of consideration for using Automotive equipment / device which demand high reliability, kindly contact our sales window correspondents.

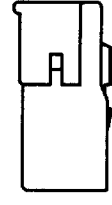
COUNT	DESCRIPTION OF REVISIONS	BY	CHKD	DATE	COUNT	DESCRIPTION OF REVISIONS	BY	CHKD	DATE
△					△				
△					△				
△					△				

NOTE1. THIS CONNECTOR SHALL BE USED WITH A RETAINER
 (CL755-0006-2) .
 2. APPLICABLE CONNECTOR: GT5-1PP-HU (A) (CL755-0039-1)
 GT5-1P-DS (A) (CL755-0041-3)

HRS DRAWING FOR REFERENCE



CONNECTOR ASSEMBLED WITH A RETAINER



TO	

1	PBT	UL94V-0, BROWN			
NO.	MATERIAL	FINISH, REMARKS	NO.	MATERIAL	FINISH, REMARKS
CODE NO. (OLD)					
DRAWN		DESIGNED		CHECKED	
T. IKEDA		T. IKEDA		M. Okada	
'01.11.19		'01.11.19		'01.11.27	
SCALE		PART NO.		APPROVED	
1 : 1		EDC3-165292		K. Kato	
UNITS		DRAWING NO.		RELEASED	
JTTT		HIROSE ELECTRIC CO., LTD		01.11.27	
		GT5-1S-HU(A)			
		CODE NO.		CL755-0037-6	
		1		1	