



Description

All Vicfuse Class G blocks offer snap-to-release DIN rail mount and universal mounting holes. Class G fuse blocks are designed for use with time-delay current limiting Class G fuses.

Features/Benefits

- Universal mounting holes for easy replacement
- One hand release from DIN rail for most amperages
- Meet requirements for branch circuit protection

Specifications

Voltage Ratings: 600V AC(1-20A)
480V AC(25-60A)

Ampere Ratings: 1-60A

Flammability Rating: UL94 V-0

Recommended Fuses

Time Delay Series: VGT

● **Ordering Information(Class G 600V);**

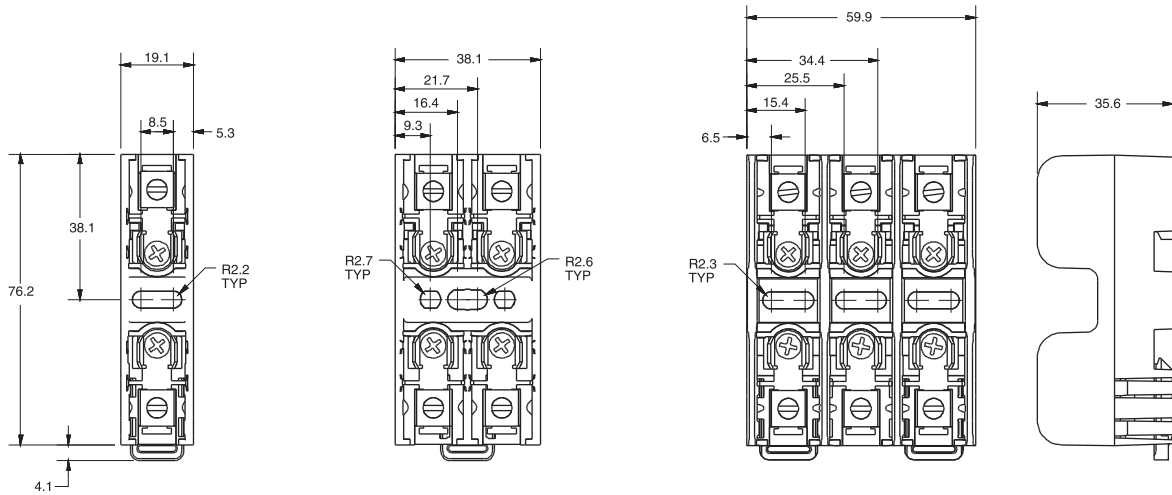
AMP RATING	POLES	ORDERING NUMBER				TORQUE	TERMINAL	WIRE RANGE (AWG)	WIRE TYPE		BASE TEMP RATING	DIN RAIL MOUNT
		BASE PART NUMBER	SUFFIX									
			BOX LUG	PRESS-URE PLATE	SCREW							
15	1	VFG600151	CDINR	PQDINR	SQDINR	4.0N-m(35IN-lbs)	Box Lug	6-14	CU Only	Solid/ stranded	150°C	•
	2	VFG600152	CDINR	PQDINR	SQDINR	2.3N-m(20IN-lbs)	Pressure Plate	10-14				
	3	VFG600153	CDINR	PQDINR	SQDINR	2.3N-m(20IN-lbs)	Screw	10-14				
20	1	VFG600201	CDINR	PQDINR	SQDINR	4.0N-m(35in-lbs)	Box Lug	6-14				
	2	VFG600202	CDINR	PQDINR	SQDINR	2.3N-m(20in-lbs)	Pressure Plate	10-14				
	3	VFG600203	CDINR	PQDINR	SQDINR	2.3N-m(20in-lbs)	Screw	10-14				

● **Ordering Information(Class G 480V);**

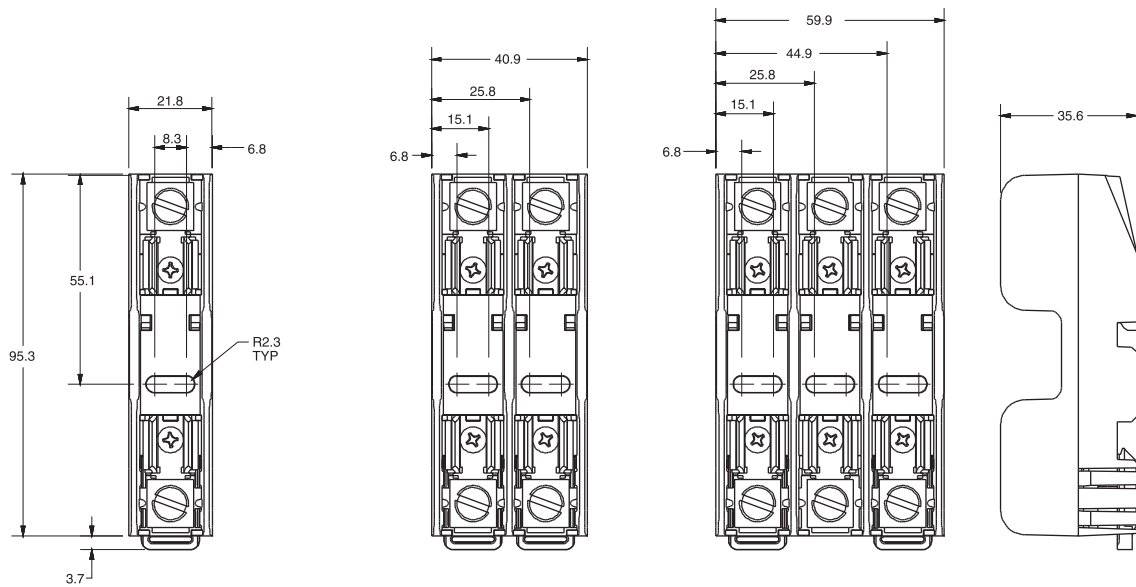
AMP RATING	POLES	ORDERING NUMBER				TORQUE	TERMINAL	WIRE RANGE (AWG)	WIRE TYPE		BASE TEMP RATING	DIN RAIL MOUNT	
		BASE PART NUMBER	SUFFIX										
			BOX LUG	PRESS-URE PLATE	SCREW								
30	1	VFG480301	CDINR	PQDINR	SQDINR	4.0N-m(35IN-lbs)	Box Lug	6-14	CU Only	Solid/ stranded	150°C	•	
	2	VFG480302	CDINR	PQDINR	SQDINR	2.3N-m(20IN-lbs)	Pressure Plate	10-14					
	3	VFG480303	CDINR	PQDINR	SQDINR	2.3N-m(20IN-lbs)	Screw	10-14					
60	1	VFG480601	CDINR	-	-	5.6N-m(50in-lbs)	Box Lug	2-4			CU-AL	125°C	•
	2	VFG480602	CDINR	-	-	2.8N-m(25in-lbs)		6-14					
	3	VFG480603	CDINR	-	-								

● Dimensions mm;

600V 15 & 20A
480V 30A



480V 60A



VFG

File Number: E359089**COMPANY****SHENZHEN VICTORS INDUSTRIAL CO LTD**

503A, Unit B, Building 3, Cloud Park, Bantian, Longgang District
SHENZHEN, GUANGDONG 518129 China

MODEL INFO

VFG Cat. Nos. VFG600151, VFG600152, VFG600153, GFPC60151, GFPC60152, GFPC60153, BG3011, BG3012, BG3013, Ampere Rating 15 A, Voltage Rating 600 V ac, Withstand Rating 100000 A. Cat. Nos. VFG600201, VFG600202, VFG600203, GFPC60201, GFPC60202, GFPC60203, BG3021, BG3022, BG3023, Ampere Rating 20 A, Voltage Rating 600 V ac, Withstand Rating 100000 A. Cat. Nos. VFG480301, VFG480302, VFG480303, GFPC48301, GFPC48302, GFPC48303, BG3031, BG3032, BG3033, Ampere Rating 30 A, Voltage Rating 480 V ac, Withstand Rating 100000 A. Cat. Nos. VFG480601, VFG480602, VFG480603, GFPC48601, GFPC48602, GFPC48603, G300601, G300602, G300603, Ampere Rating 60 A, Voltage Rating 480 V ac, Withstand Rating 100000 A.

RATING TABLE

Voltage Rating (V)	Ampere Rating (A)	Withstand Rating (A)	Fuse Class	Fuse Class or Size
600	60	100000	G	

The appearance of a company's name or product in this database does not in itself assure that products so identified have been manufactured under UL's Follow-Up Service. Only those products bearing the UL Mark should be considered to be Certified and covered under UL's Follow-Up Service. Always look for the Mark on the product.

UL permits the reproduction of the material contained in the Online Certification Directory subject to the following conditions: 1. The Guide Information, Assemblies, Constructions, Designs, Systems, and/or Certifications (files) must be presented in their entirety and in a non-misleading manner, without any manipulation of the data (or drawings). 2. The statement "Reprinted from the Online Certifications Directory with permission from UL" must appear adjacent to the extracted material. In addition, the reprinted material must include a copyright notice in the following format: "© 2021 UL LLC"